

METALIMPEX

OUR TEAM.

We are young, innovative and creative team, which is completely dedicated to each of our client, looking for the optimal solution to produce perfect product for them

SMALL COMPANY, GREAT ACHIEVEMENTS.

Metalimpex is a company specialized in the production of furniture fittings. Thanks to the flexible and dynamic structure, we can develop and supply custom-made items. Our creativity is reflected in our products. 10% of our products are produced for domestic market, and 90% are exported to more than 30 countries.

We are specialized in the following technologies:
Plastic injection,
Extrusion of plastic profiles,
Cold transforming of metal coils,
Mechanical treatment of aluminum profiles.

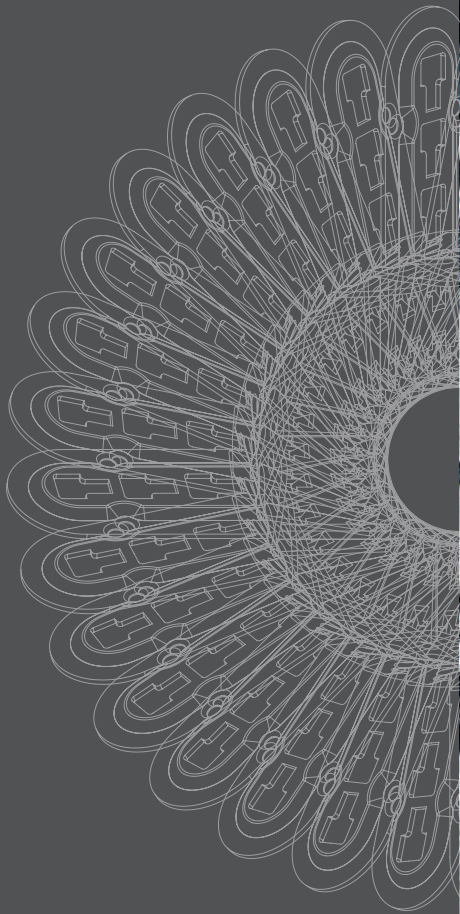
Our strategic orientation is continuous improvement of production processes and product quality. METALIMPEX can propose a specific product range, which satisfy the needs of it's customers.



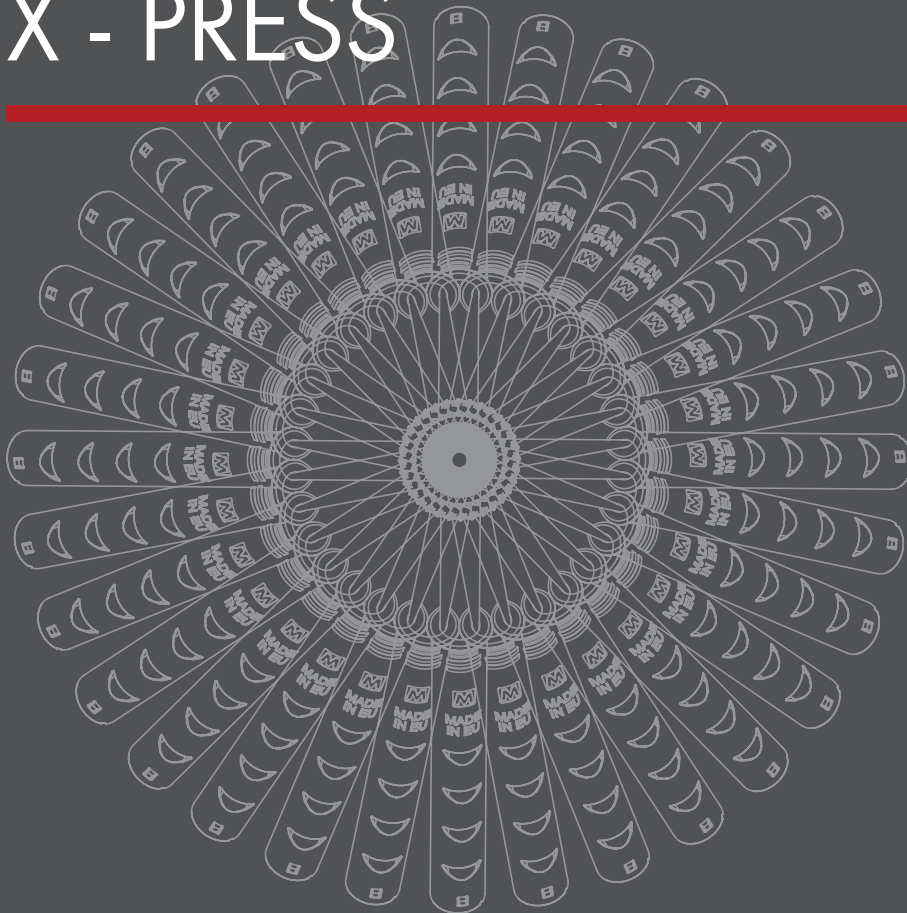
STRATEGY AND MISSION.

Our Strategy is to become the most flexible, high technology company and a reliable development partner for furniture manufacturers.





1. X - PRESS

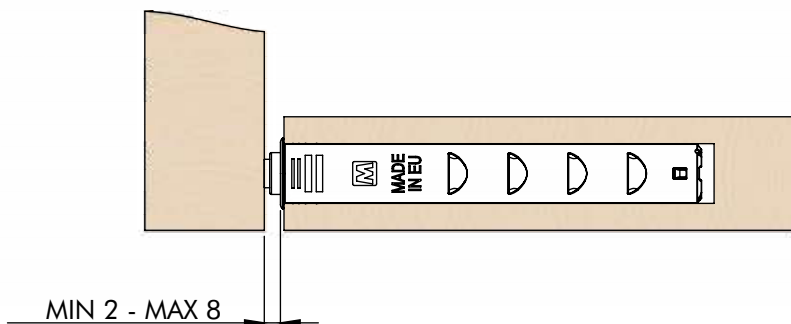
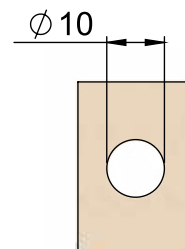
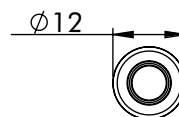
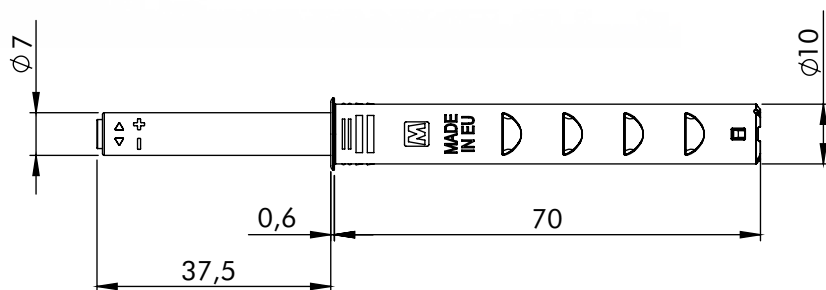


X - PRESS - RUBBER



RUBBER

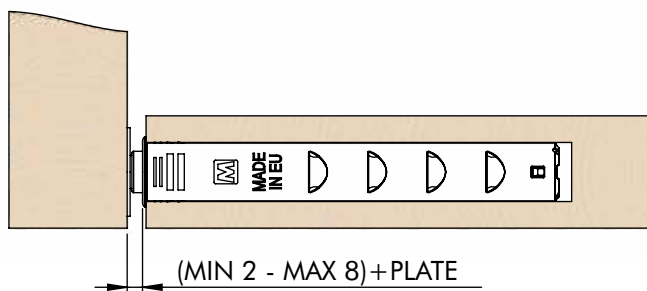
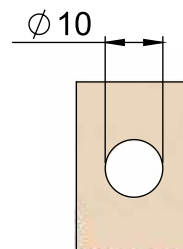
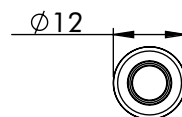
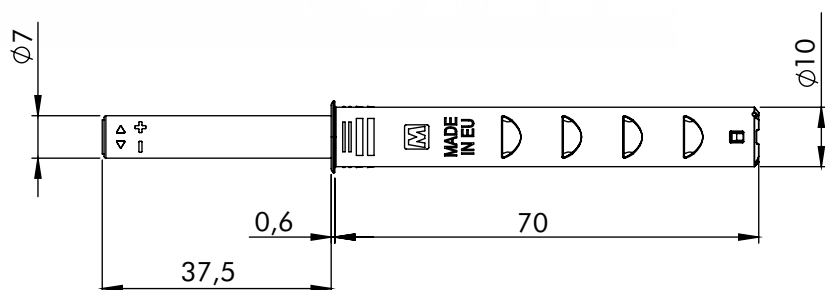
CODE	SPRING	PACK	COLOR
944.R010.01	SOFT	200	WHITE
944.R010.06	SOFT	200	GRAY
944.R010.76	SOFT	200	ANTRACIT
944.R020.01	MEDIUM	200	WHITE
944.R020.06	MEDIUM	200	GRAY
944.R020.76	MEDIUM	200	ANTRACIT



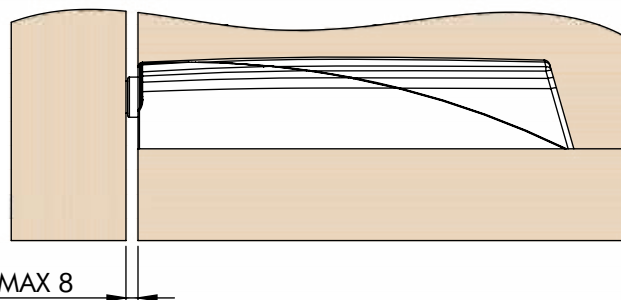
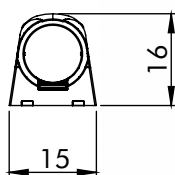
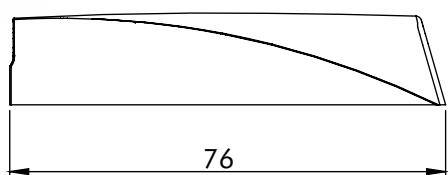
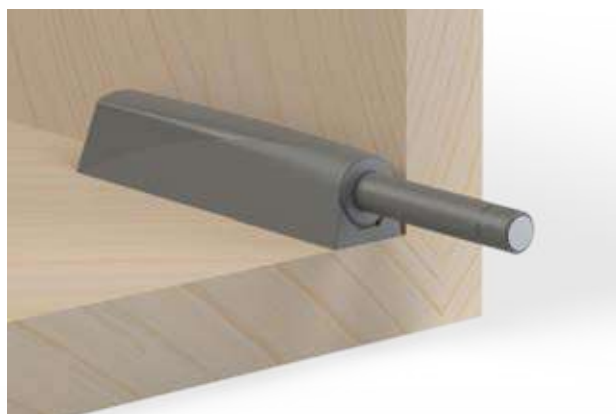


NEODIUM MAGNET N50

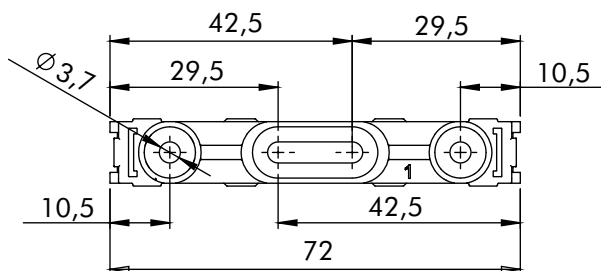
CODE	SPRING	PACK	COLOR
944.M010.01	SOFT	200	WHITE
944.M010.06	SOFT	200	GRAY
944.M010.76	SOFT	200	ANTRACIT
944.M020.01	MEDIUM	200	WHITE
944.M020.06	MEDIUM	200	GRAY
944.M020.76	MEDIUM	200	ANTRACIT



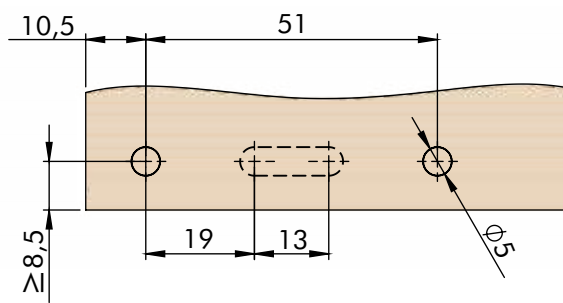
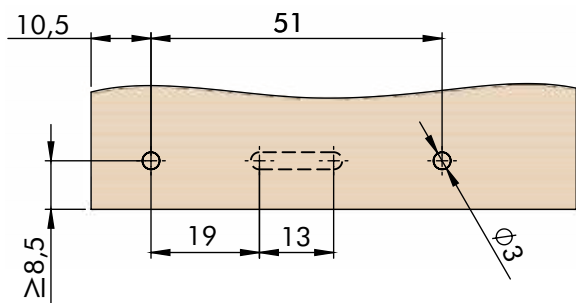
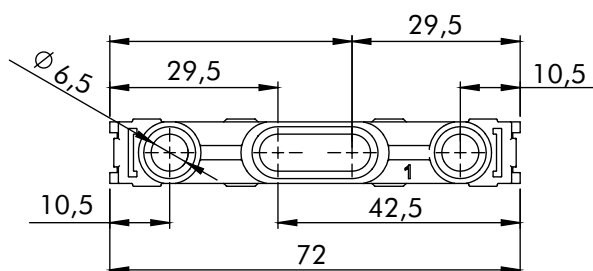
X-PRESS UNIVERSAL HOLDER



FOR CHIPBOARD SCREW



FOR EURO SCREW



CODE	PACK	COLOR
962.CS00.01	200	WHITE
962.CS00.06	200	GRAY
962.CS00.76	200	ANTRACIT

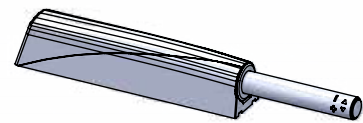
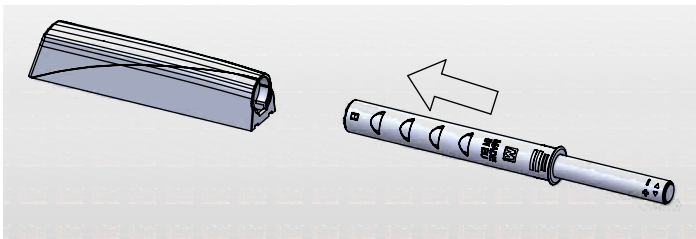
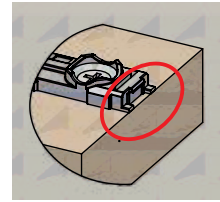
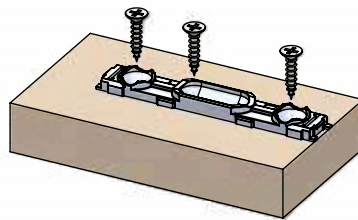
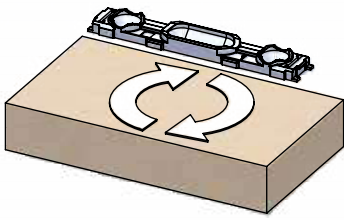
CODE INCLUDES BASE PLATE + COVER

CODE	PACK	COLOR
962.EU00.01	200	WHITE
962.EU00.06	200	GRAY
962.EU00.76	200	ANTRACIT

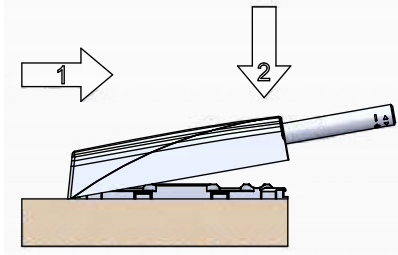
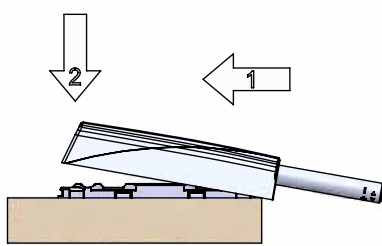
CODE INCLUDES BASE PLATE + COVER

HOW TO FIX AND REMOVE THE HOLDER

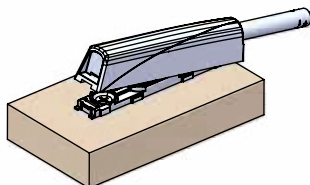
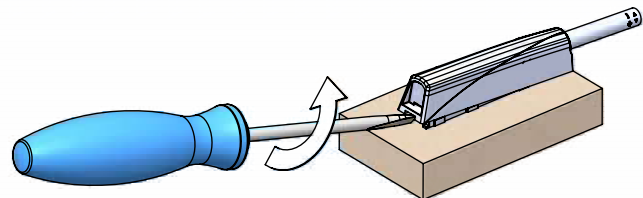
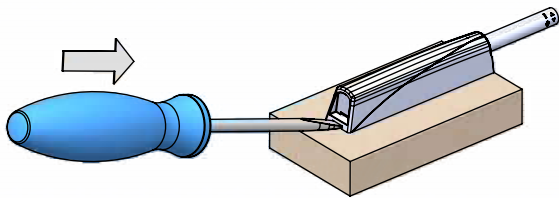
BASE PLATE - UNIVERSAL FIXING



ATTACHMENT FROM BOTH SIDE

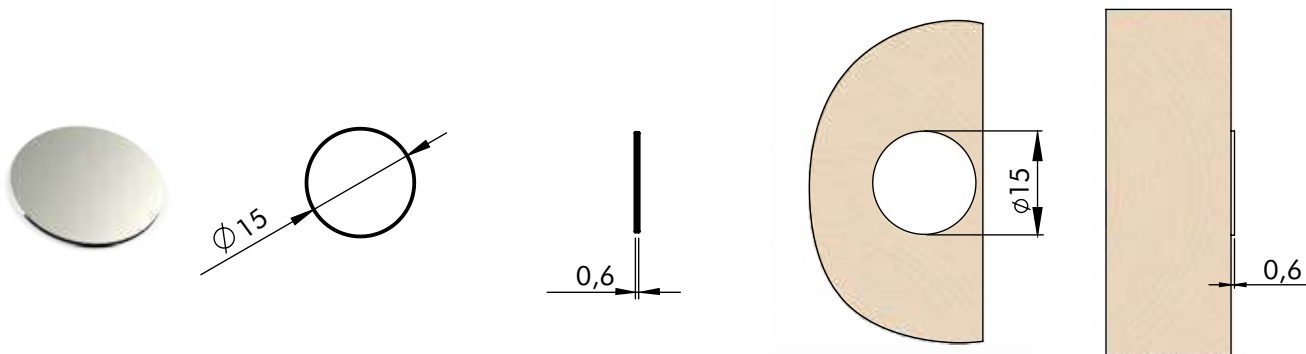


EASY TO REMOVE



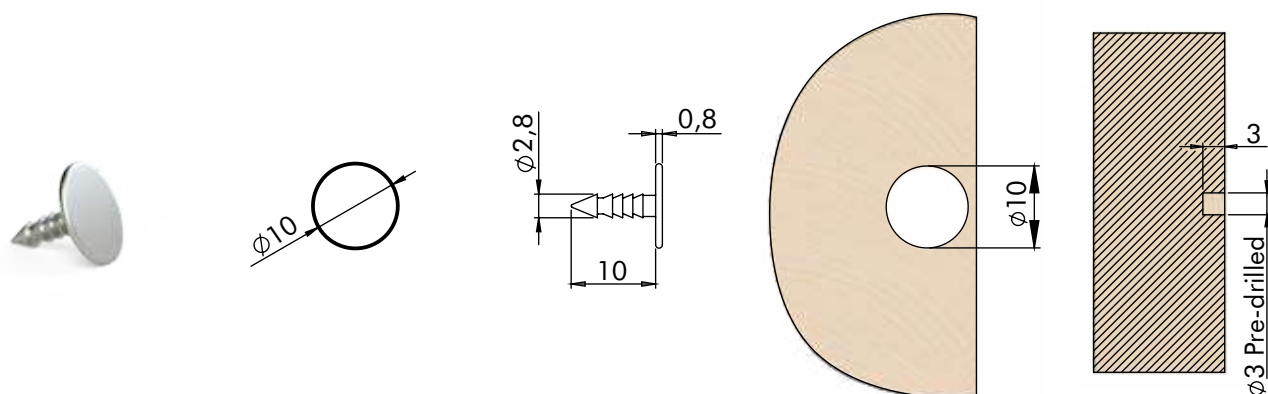
ACCESORIES

ADHESIVE PLATE



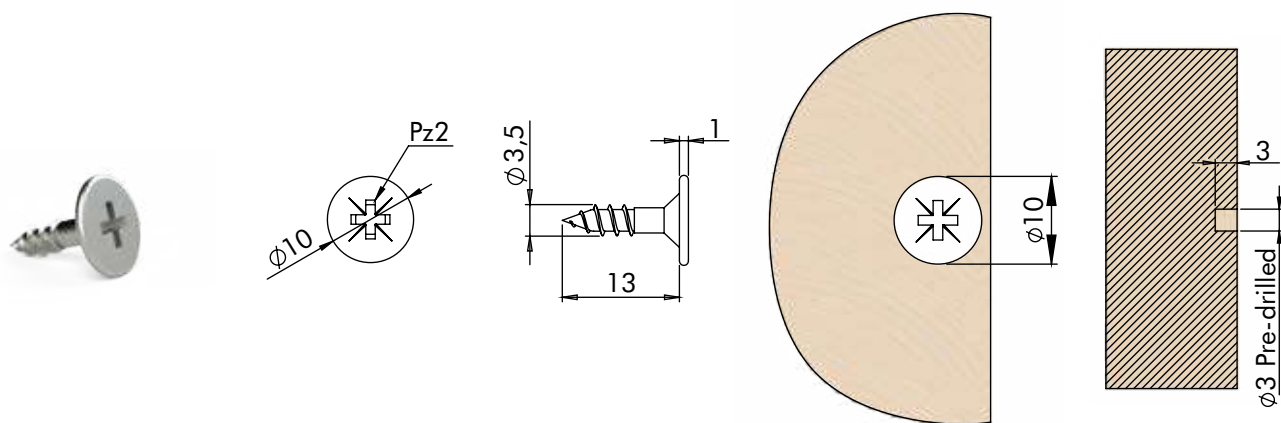
CODE	PACK	FINISH
971.AP00.ST	200	SATIN

PRESS INSERT PLATE



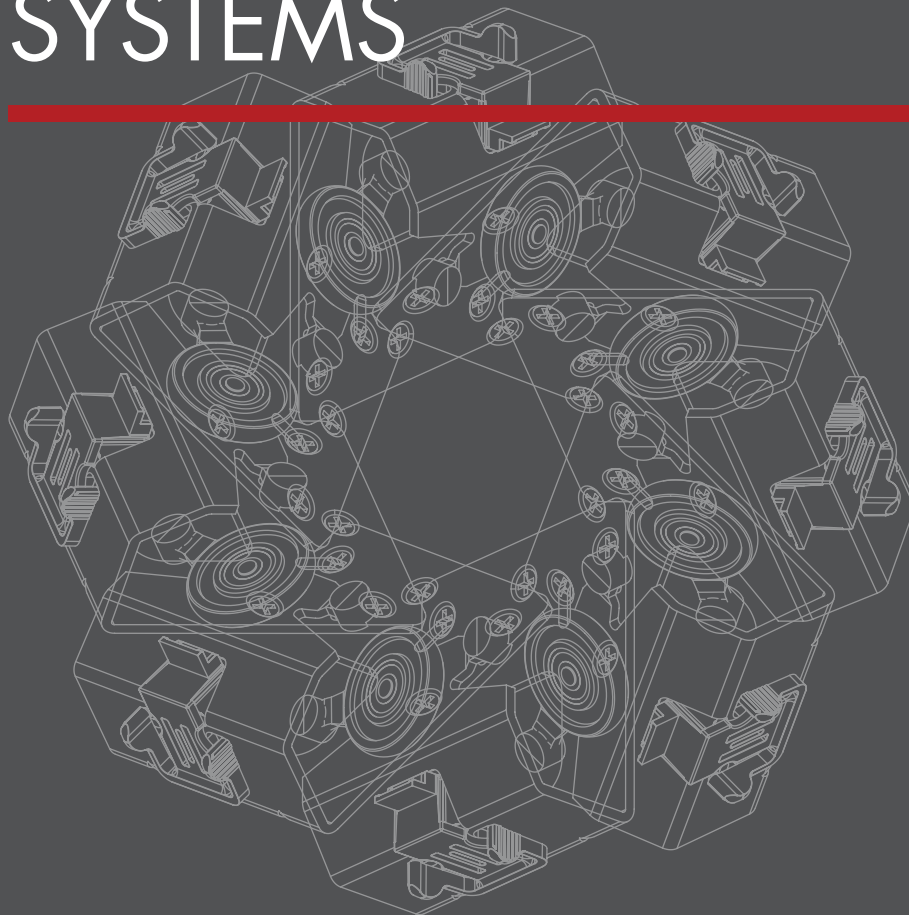
CODE	PACK	FINISH
971.PR00.50	200	NICKEL PL

PLATE WITH SCREW



CODE	PACK	FINISH
971.SF00.50	200	NICKEL PL

2. SLIDING DOOR SYSTEMS



UPPER SLIDER



CODE	PACK	COLOR
366.0000.01	1000	WHITE
366.0000.02	1000	BROWN
366.0000.03	1000	BLACK
366.0000.04	1000	BEIGE
366.0000.06	1000	GRAY

ROLLER



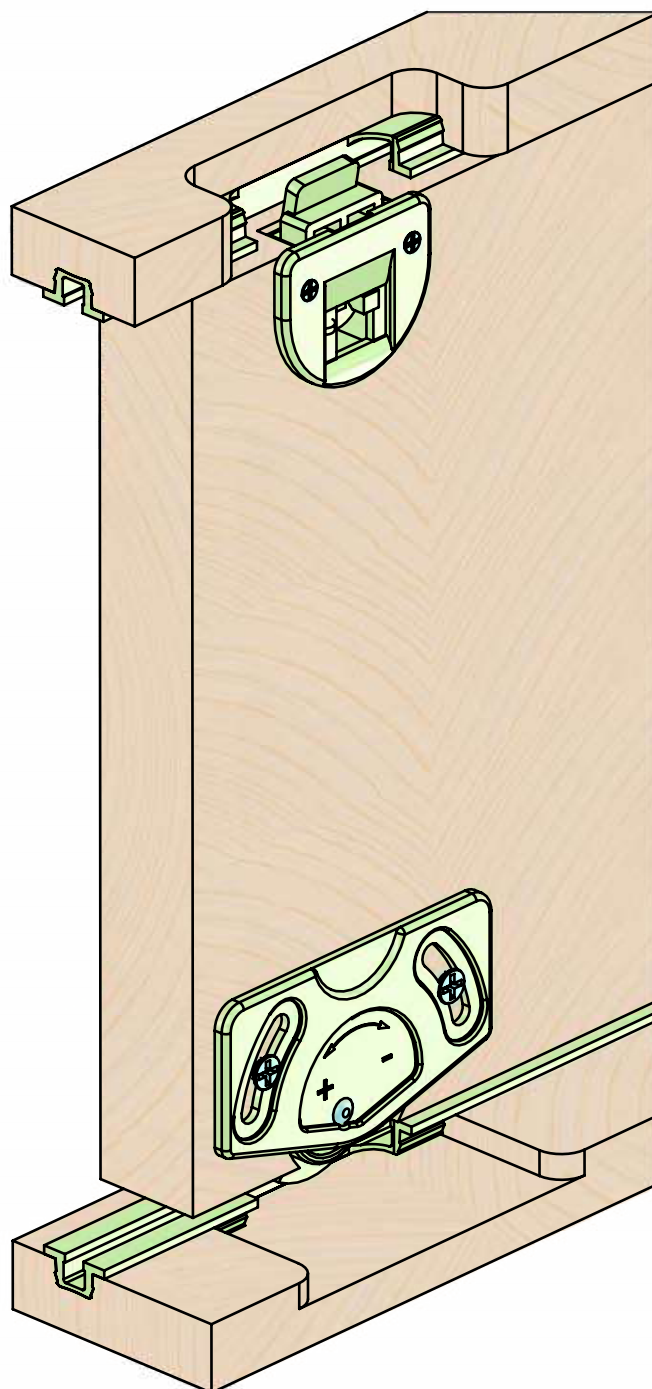
CODE	PACK	COLOR
369.0000.01	1000	WHITE
369.0000.02	1000	BROWN
369.0000.03	1000	BLACK
369.0000.04	1000	BEIGE
369.0000.06	1000	GRAY

PLASTIC PROFILE



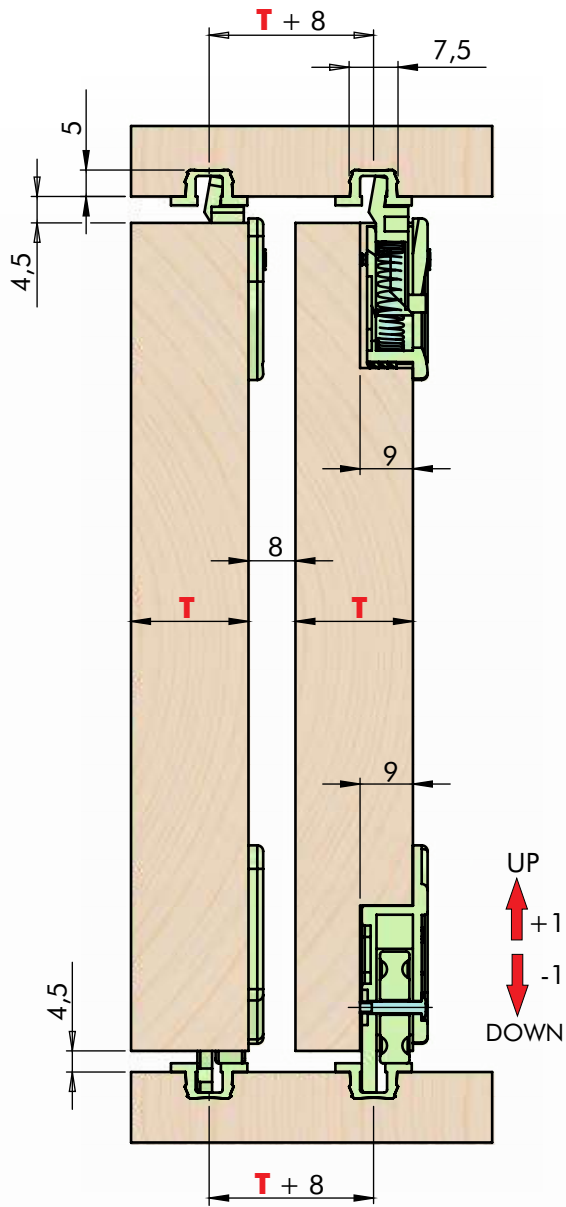
CODE	PACK	COLOR
370.XXXX.01	150	WHITE
370.XXXX.02	150	BROWN
370.XXXX.03	150	BLACK
370.XXXX.04	150	BEIGE
370.XXXX.06	150	GRAY

XXXX - LENGHT IN MM



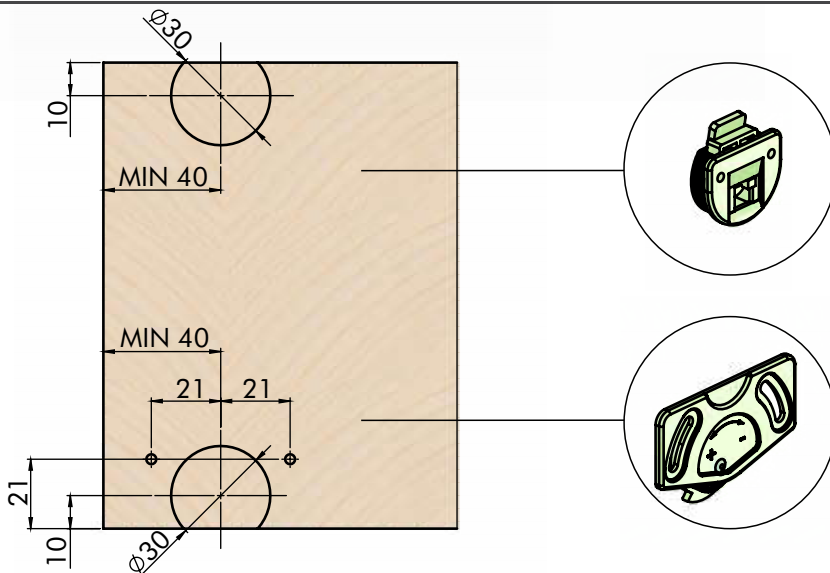
EKO 366 - 369

VERTICAL SECTION



MAXIMUM DOOR WEIGHT 15 KG

DOOR DRILLINGS



EKO 368 - 369

UPPER SLIDER



CODE	PACK	COLOR
368.0000.01	1000	WHITE
368.0000.02	1000	BROWN
368.0000.03	1000	BLACK
368.0000.04	1000	BEIGE
368.0000.06	1000	GRAY

ROLLER



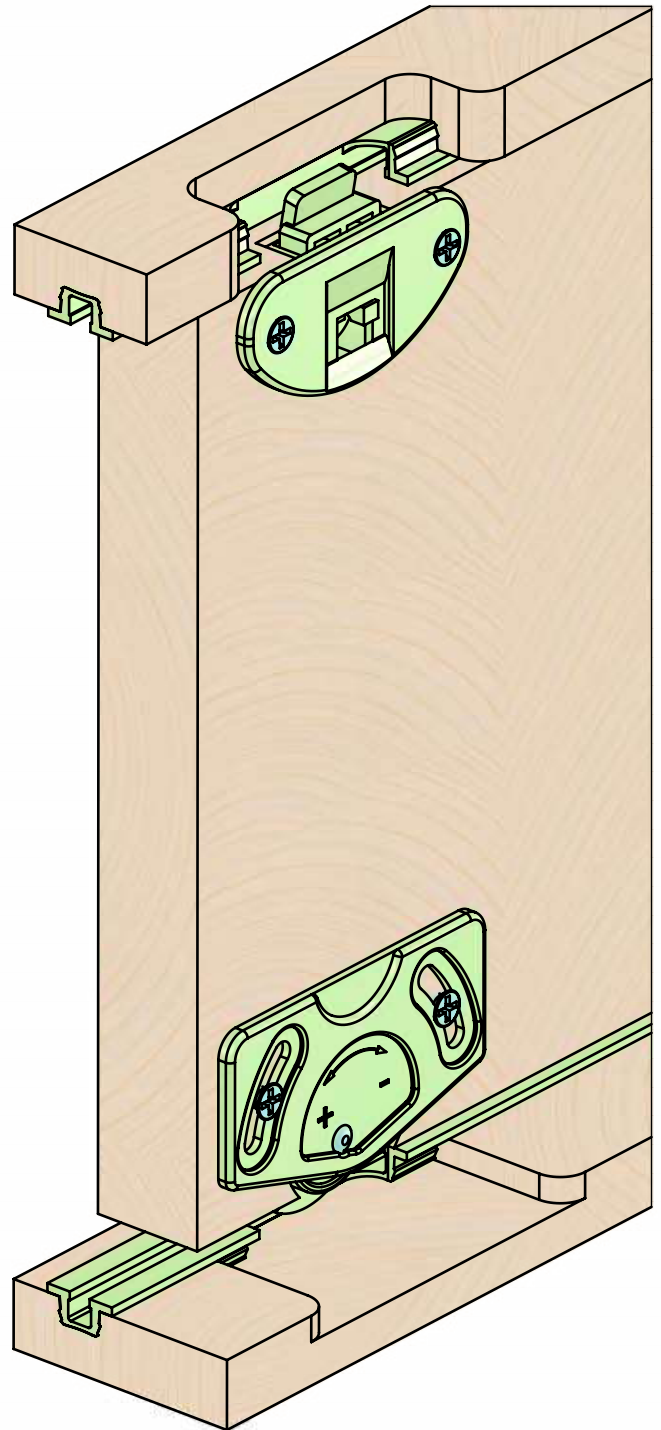
CODE	PACK	COLOR
369.0000.01	1000	WHITE
369.0000.02	1000	BROWN
369.0000.03	1000	BLACK
369.0000.04	1000	BEIGE
369.0000.06	1000	GRAY

PLASTIC PROFILE



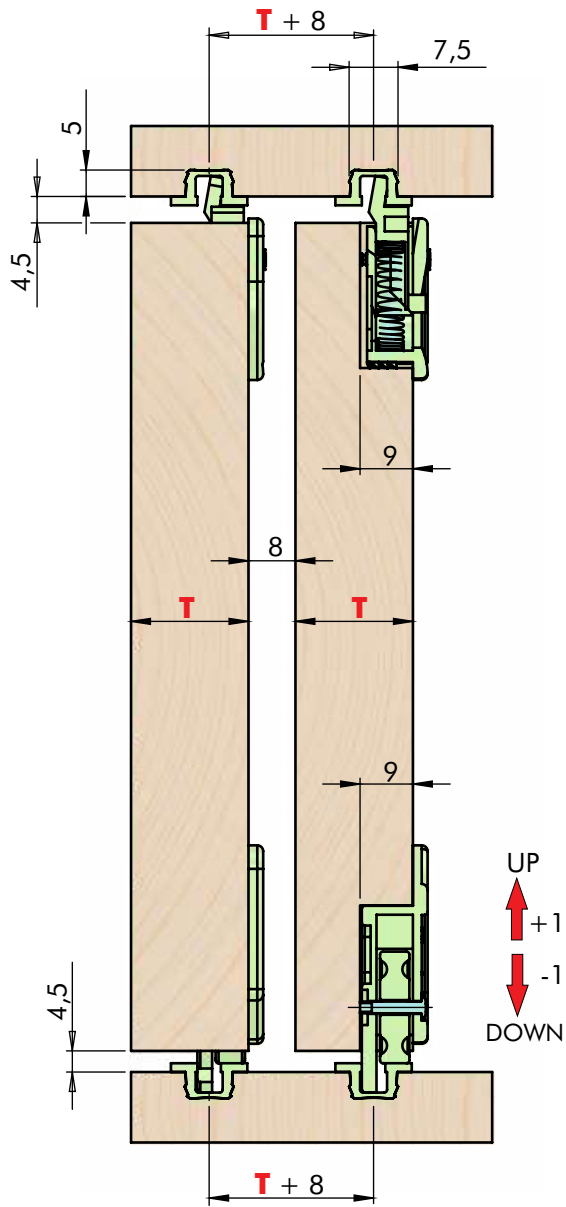
CODE	PACK	COLOR
370.XXXX.01	150	WHITE
370.XXXX.02	150	BROWN
370.XXXX.03	150	BLACK
370.XXXX.04	150	BEIGE
370.XXXX.06	150	GRAY

XXXX - LENGHT IN MM



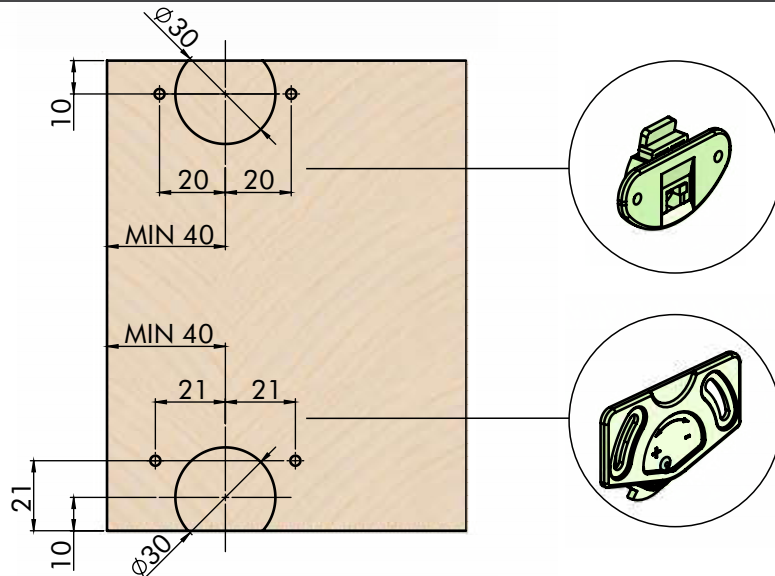
EKO 368 - 369

VERTICAL SECTION



MAXIMUM DOOR WEIGHT 15 KG

DOOR DRILLINGS



SLX - SINGLE PROFILE

SLX COMPONENTS



CODE	COLOR
SLX.Z01.03	BLACK
SLX.Z01.06	GRAY



CODE	NOTE	KG	COLOR
SLX.K01.03	POM WHEEL	20 KG	BLACK
SLX.K01.06	POM WHEEL	20 KG	GRAY
SLX.KC1.03	BALLBEARING	30 KG	BLACK
SLX.KC1.06	BALLBEARING	30 KG	GRAY



CODE	NOTE	KG	FINISH
SLX.KZ1.50	METAL	40 KG	NICKEL PL



CODE	COLOR
SLX.S01.06	GRAY



CODE	COLOR
SLX.S02.06	GRAY



CODE	COLOR
566.0200.40	ZINC



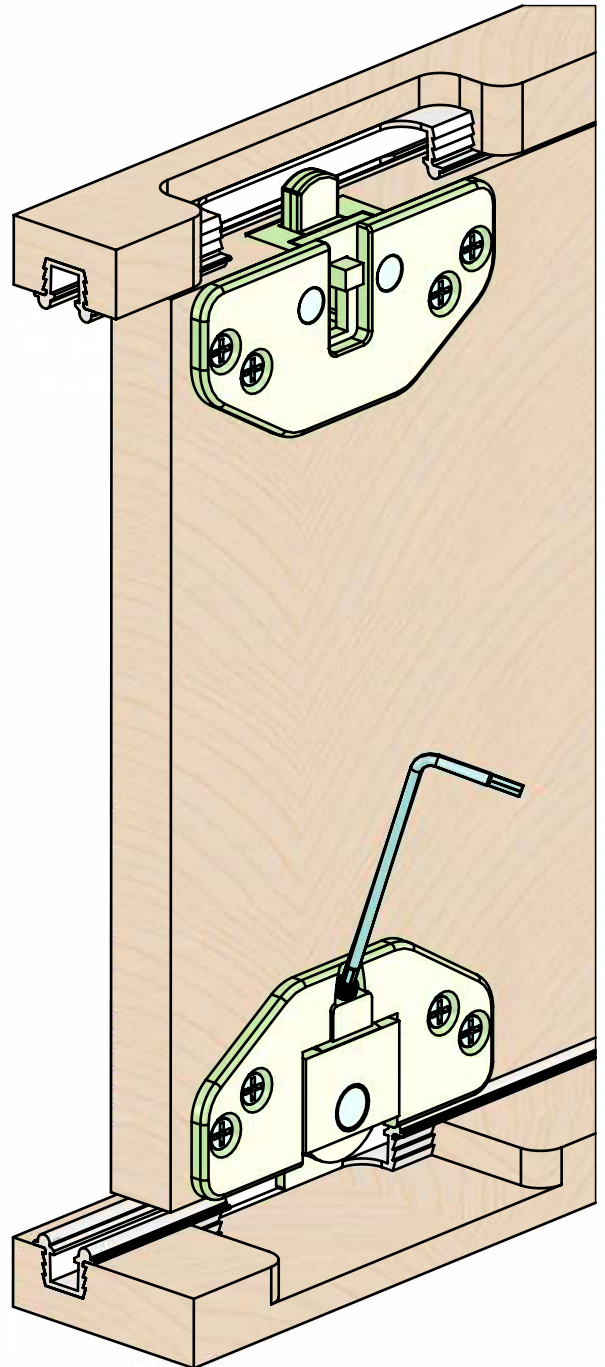
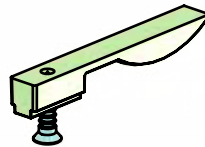
CODE	NOTE	PACK	COLOR
SLX.BXXXX.01	PLASTIC	100	WHITE
SLX.BXXXX.02	PLASTIC	100	BROWN
SLX.BXXXX.03	PLASTIC	100	BLACK
SLX.BXXXX.06	PLASTIC	100	GRAY

XXXX - LENGHT IN MM

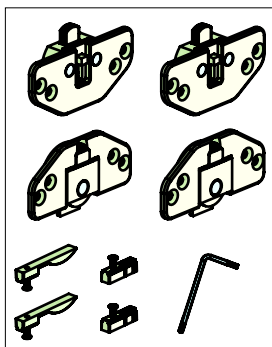


CODE	NOTE	PACK	FINISH
SLX.CXXXX.AN	ALUMINIUM	100	SILVER AN

XXXX - LENGHT IN MM

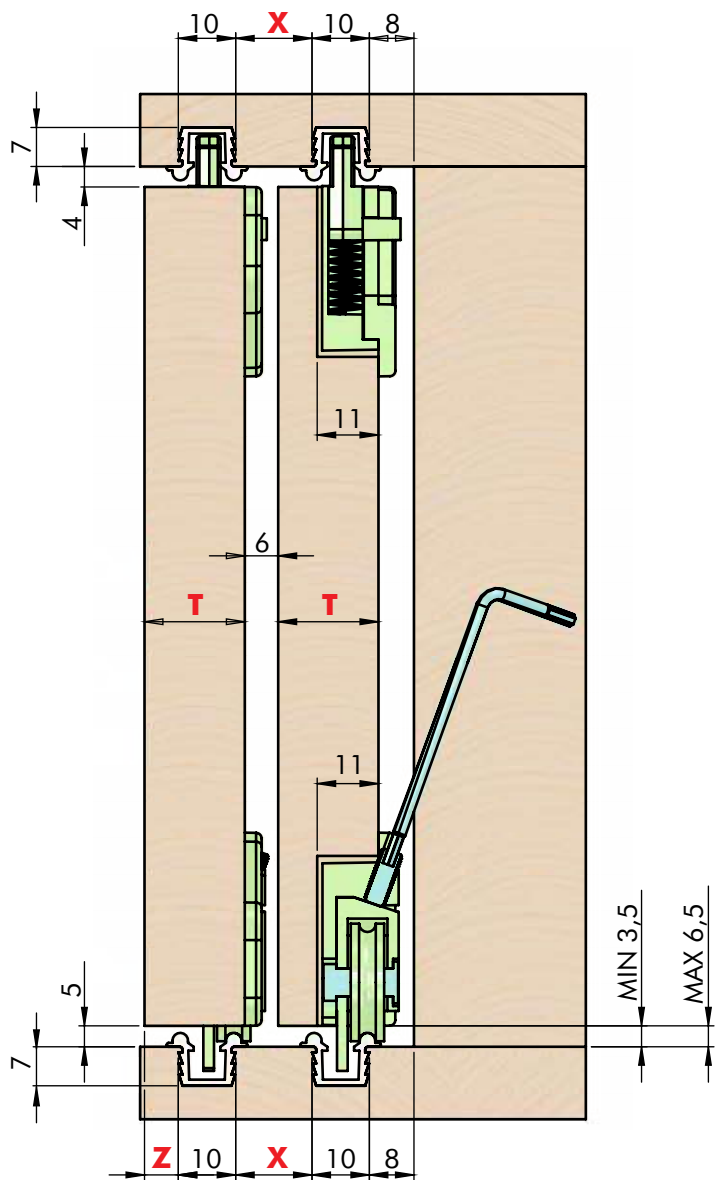


PACKAGING OPTIONS PE BAG OR BLISTER



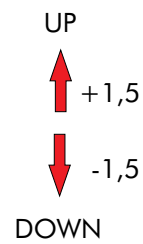
SLX - SINGLE PROFILE

VERTICAL SECTION

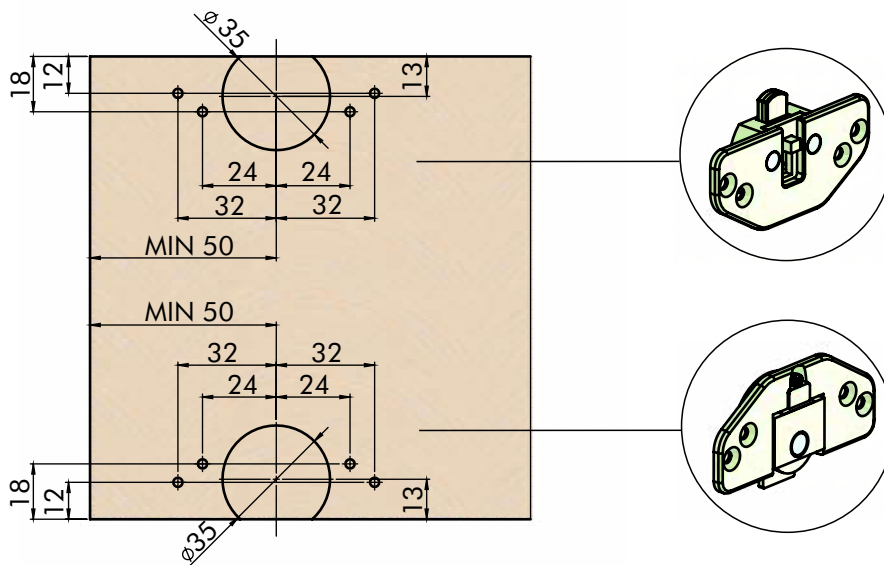


MAXIMUM DOOR WEIGHT 20-40 KG

T	X	Z
18	14	6,5
20	16	8,5
22	18	10,5



DOOR DRILLINGS



SLX - DOUBLE PROFILE

SLX COMPONENTS



CODE	COLOR
SLX.Z01.03	BLACK
SLX.Z01.06	GRAY



CODE	NOTE	KG	COLOR
SLX.K01.03	POM WHEEL	20 KG	BLACK
SLX.K01.06	POM WHEEL	20 KG	GRAY
SLX.KC1.03	BALLBEARING	30 KG	BLACK
SLX.KC1.06	BALLBEARING	30 KG	GRAY



CODE	NOTE	KG	FINISH
SLX.KZ1.50	METAL	40 KG	NICKEL PL



CODE	COLOR
SLX.S01.06	GRAY



CODE	COLOR
SLX.S02.06	GRAY



CODE	COLOR
566.0200.40	ZINC



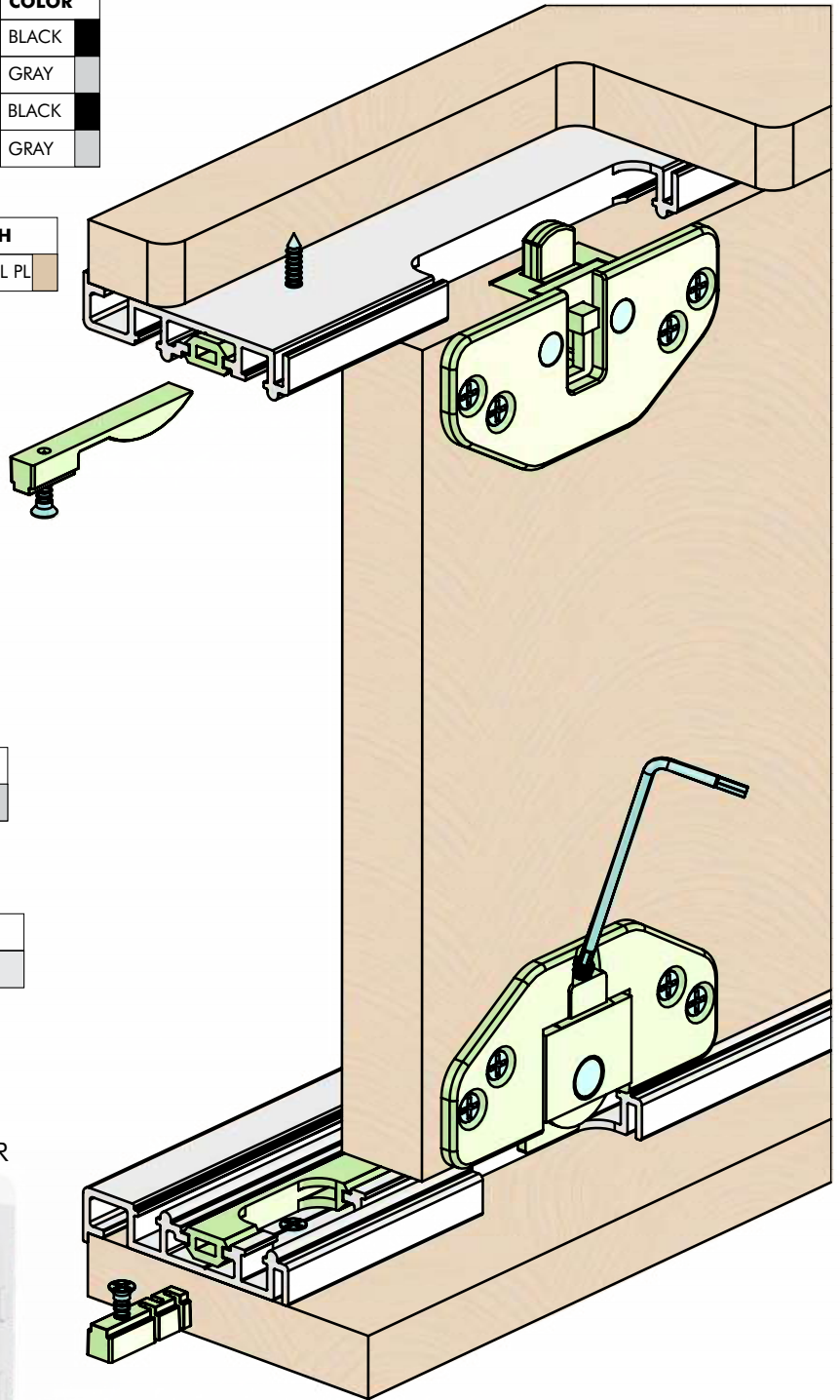
CODE	NOTE	COLOR
SLX.EXXXX.06	PLASTIC	GRAY

XXXX - LENGHT IN MM

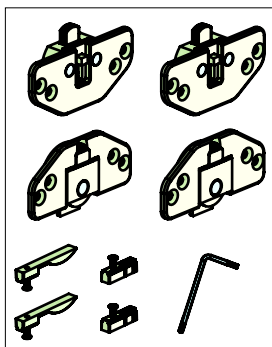


CODE	NOTE	FINISH
SLX.DXXXX.AN	ALUMINIUM	SILVER AN

XXXX - LENGHT IN MM

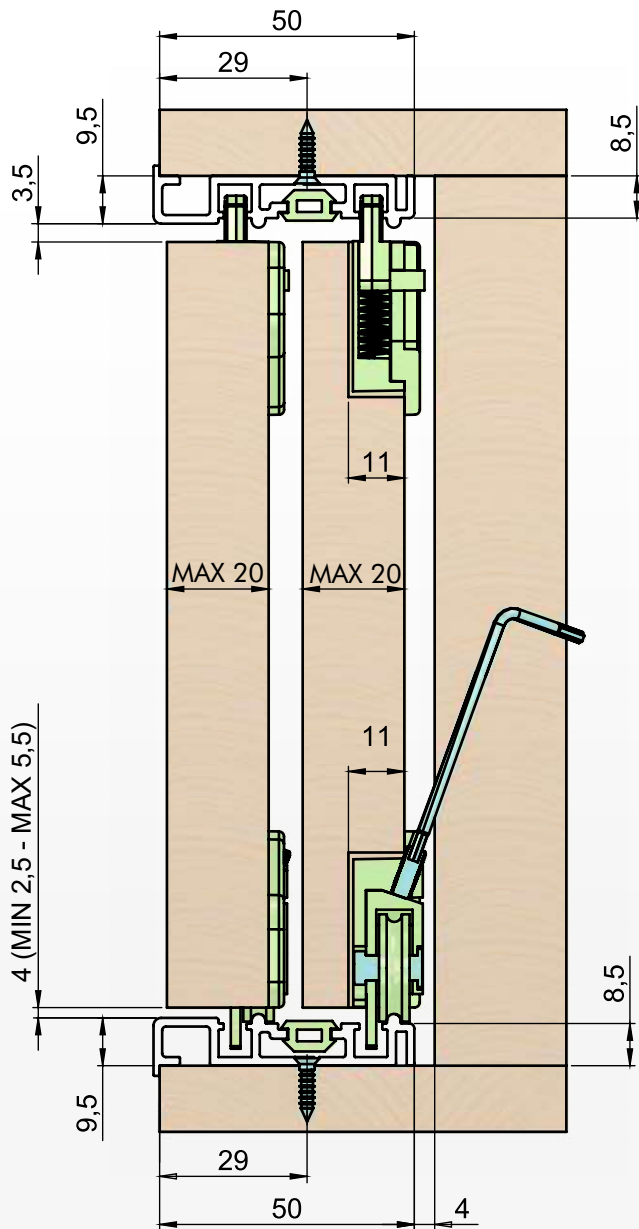


PACKAGING OPTIONS PE BAG OR BLISTER

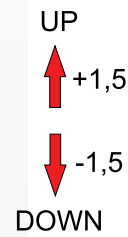


SLX - DOUBLE PROFILE

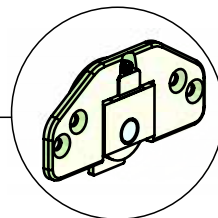
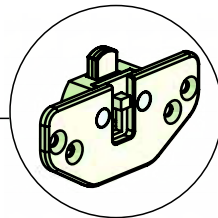
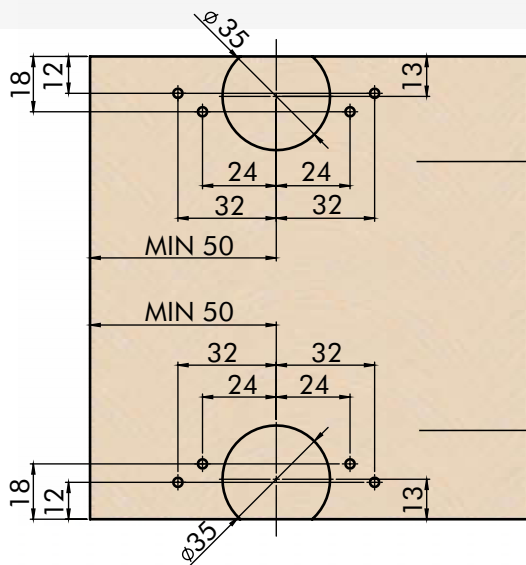
VERTICAL SECTION



MAXIMUM DOOR WEIGHT 20-40 KG



DOOR DRILLINGS



SET

SET COMPONENTS



CODE	COLOR
SET.Z01.01	WHITE
SET.Z01.03	BLACK



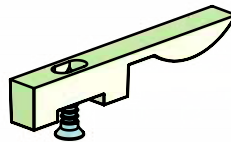
CODE	NOTE	KG	FINISH
SET.KC1.85	METAL	50 KG	BRONZE PL



CODE	NOTE	KG	FINISH
SET.KC1.50	METAL	50 KG	NICKEL PL



CODE	COLOR
SET.S01.01	WHITE
SET.S01.03	BLACK



CODE	COLOR
566.0200.40	ZINC



CODE	NOTE	PACK	COLOR
SET.BXXXX.01	PLASTIC	100	WHITE
SET.BXXXX.02	PLASTIC	100	BROWN
SET.BXXXX.03	PLASTIC	100	BLACK
SET.BXXXX.06	PLASTIC	100	GRAY

XXXX - LENGHT IN MM



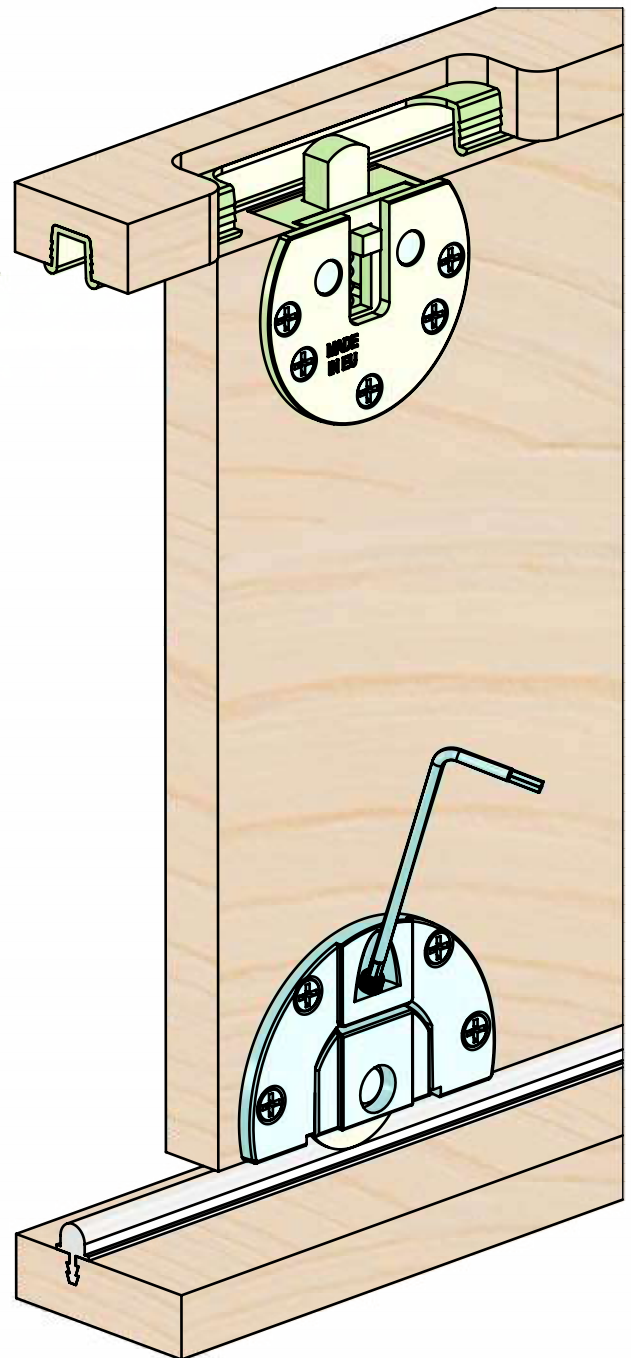
CODE	NOTE	FINISH
SET.DXXXX.AN	ALUMINIUM	SILVER AN

XXXX - LENGHT IN MM

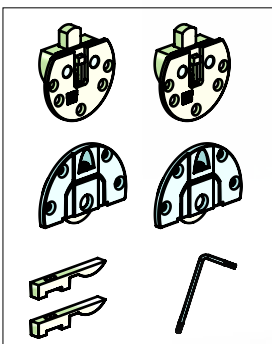


CODE	NOTE	PACK	FINISH
SET.CXXXX.AN	ALUMINIUM	100	SILVER AN
SET.CXXXX.TM	ALUMINIUM	100	BRONZ

XXXX - LENGHT IN MM



PACKAGING OPTIONS PE BAG OR BLISTER

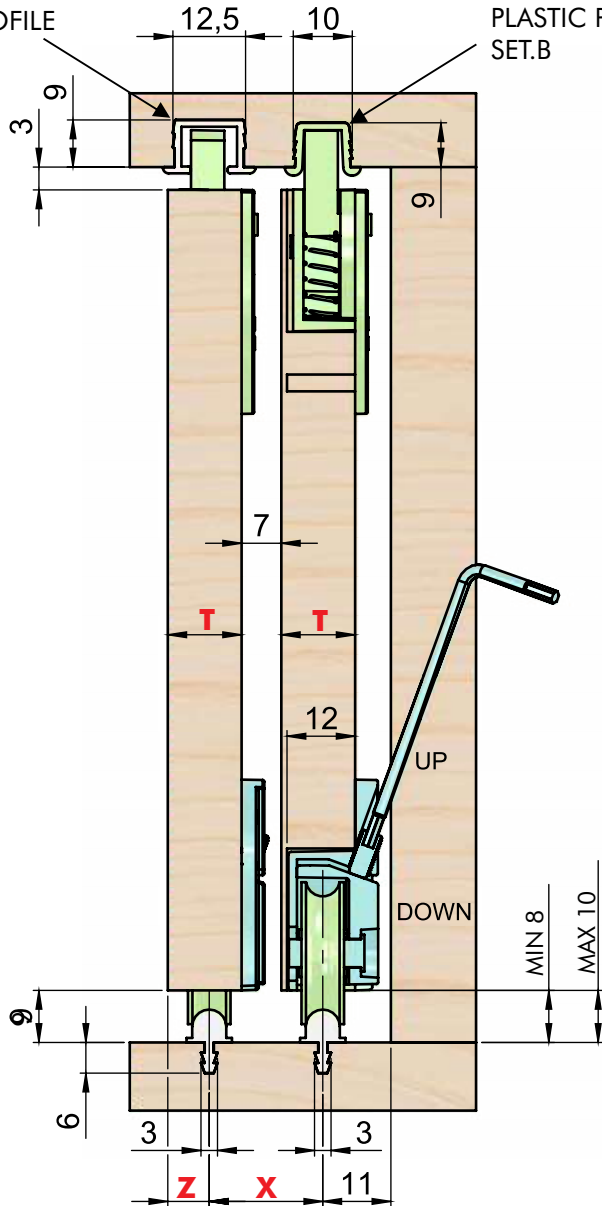


SET

VERTICAL SECTION

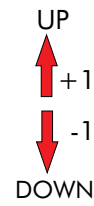
ALUMINIUM PROFILE SET.D

PLASTIC PROFILE SET.B

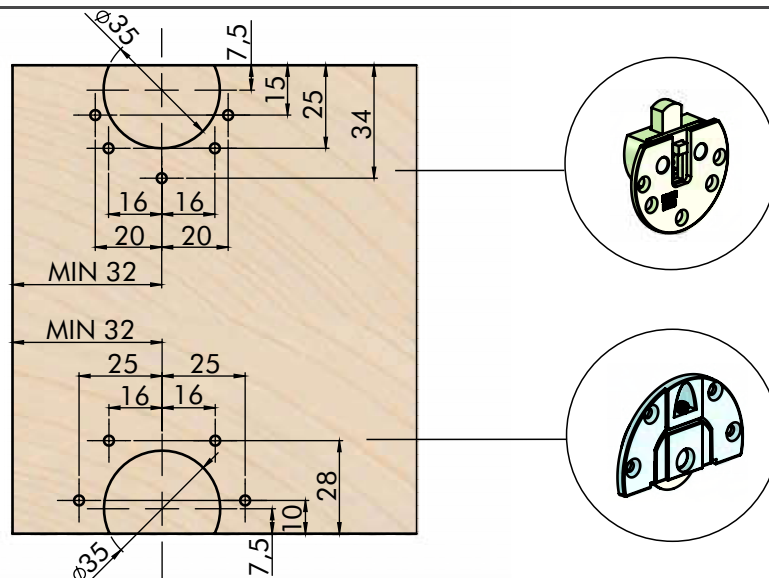


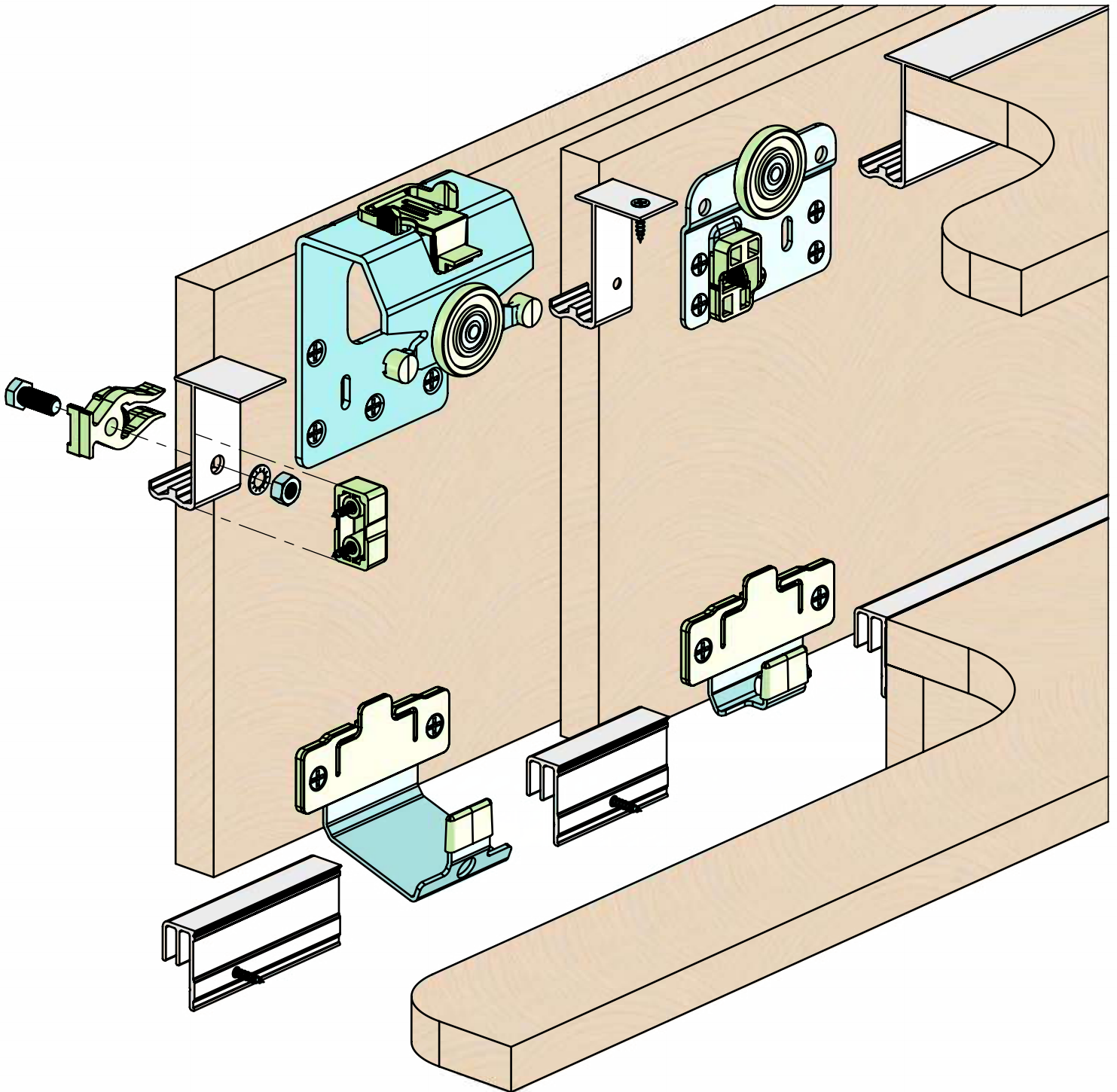
MAXIMUM DOOR WEIGHT 50 KG

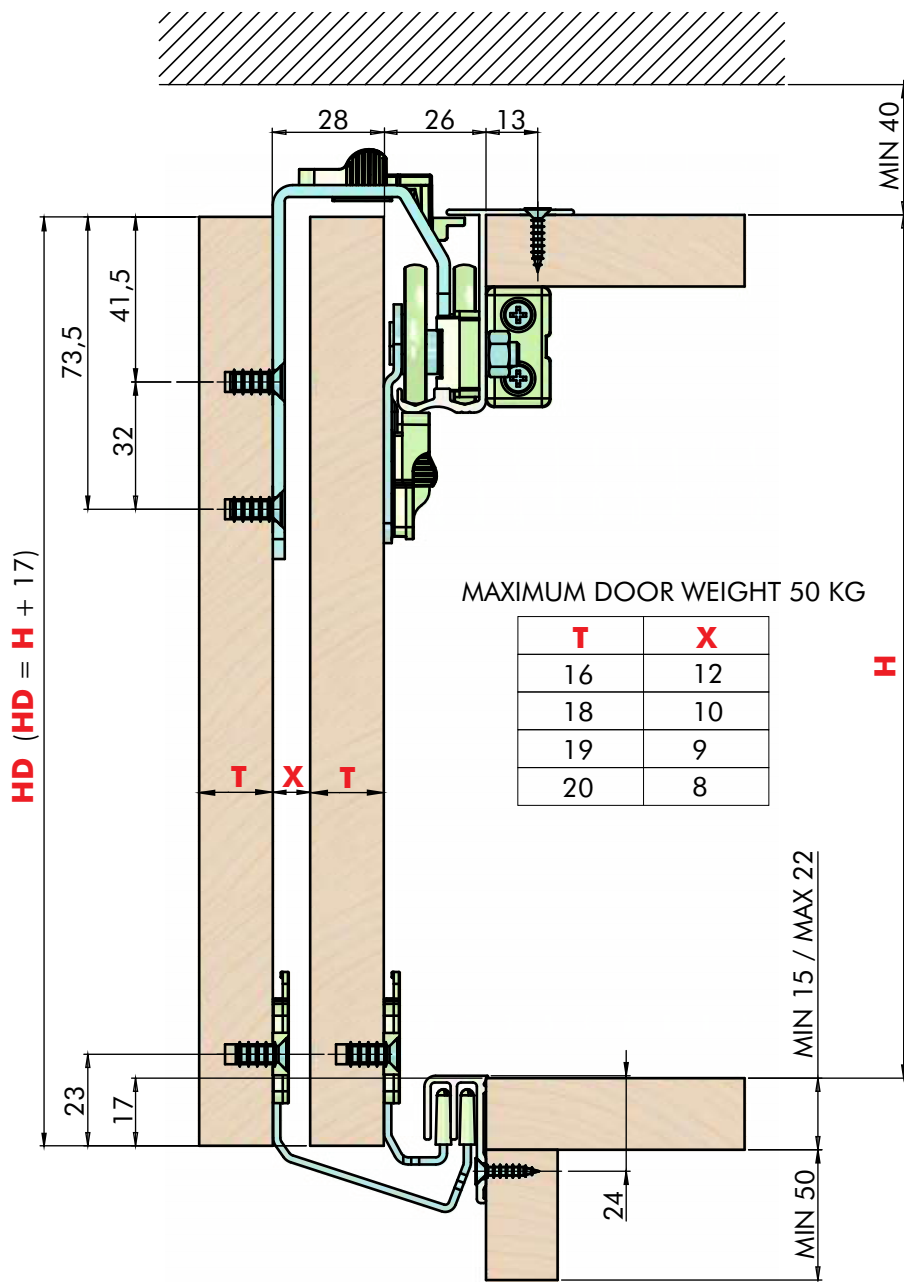
T	X	Z
16	23	10
18	25	12
20	27	14



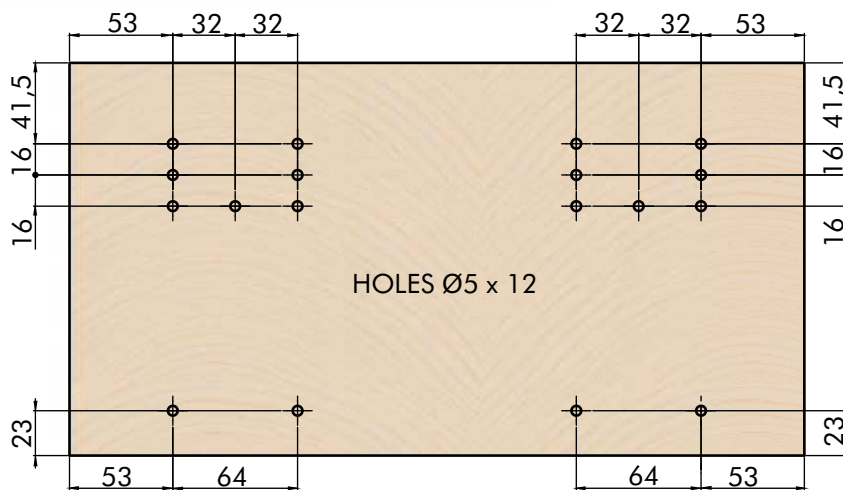
DOOR DRILLINGS





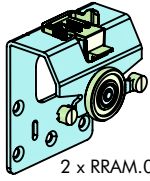


DOOR DRILLINGS

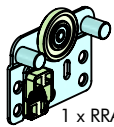


RAM - 2 DOORS

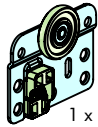
RAM COMPONENTS



2 x RRAM.01



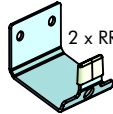
1 x RRAM.02



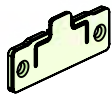
1 x RRAM.03



2 x RRAM.22



2 x RRAM.21



4 x RRAM.20



2 x RRAM.53



2 x RRAM.51



2 x D933.06016



2 x D6798.060



2 x D934.0600



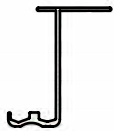
28 x 326.6313



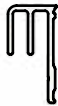
20 x 427.35016

CODE	NOTE	PACK	FINISH
RAM.A21	BALLBEARING	BOX	ZINC PL

UPPER ALU PROFILE

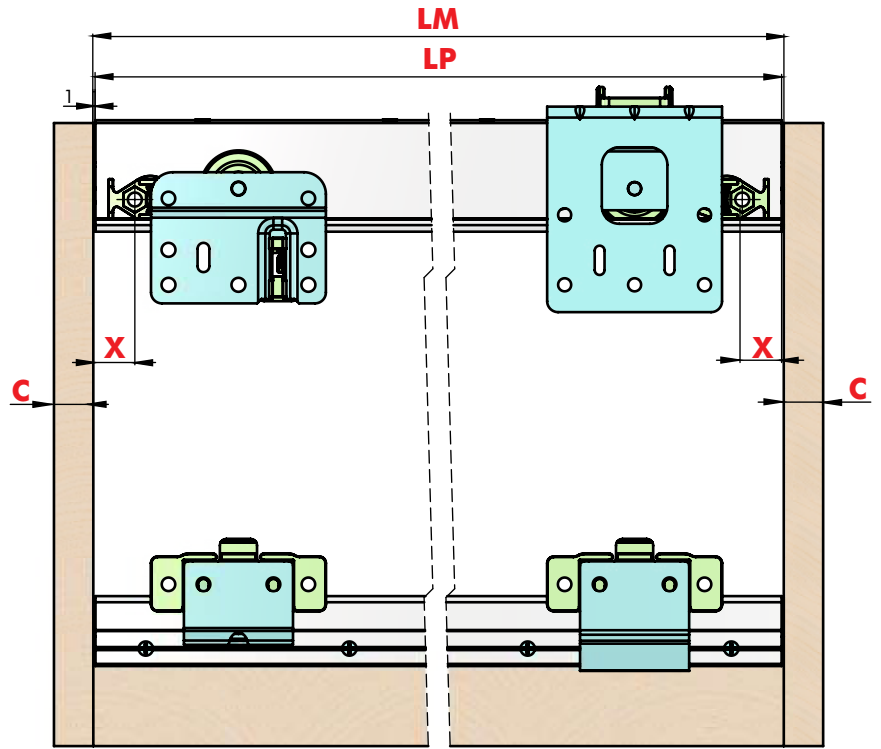


LOWER ALU PROFILE



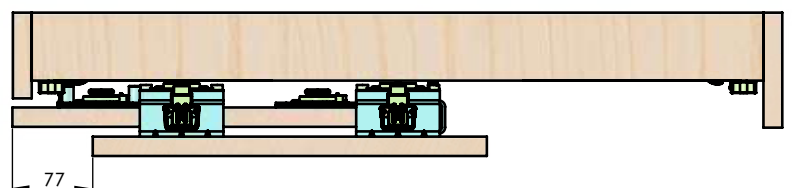
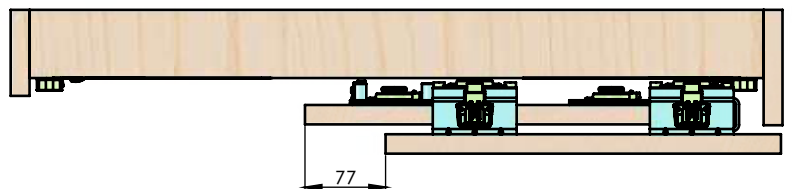
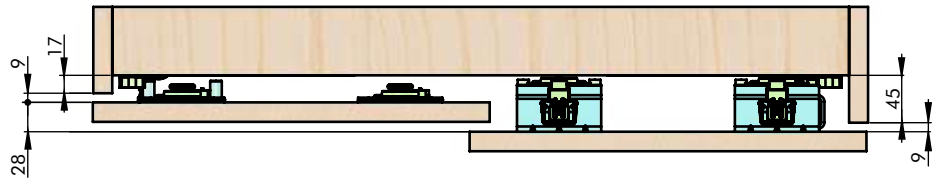
CODE	FINISH	CODE	FINISH
RAM.BXXXX.00	RAW	RAM.CXXXX.00	RAW

XXXX - LENGHT IN MM



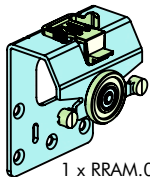
$$LP = LM - 2$$

$$X = 36 - C$$

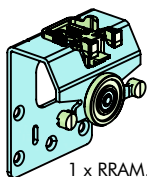


RAM - 3 DOORS

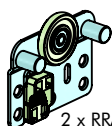
RAM COMPONENTS



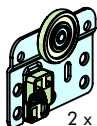
1 x RRAM.01



1 x RRAM.08



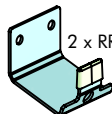
2 x RRAM.02



2 x RRAM.03



4 x RRAM.22



2 x RRAM.21



6 x RRAM.20



3 x RRAM.53



2 x RRAM.51



3 x D933.06016



3 x D6798.060



3 x D934.0600



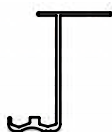
42 x 326.6313



24 x 427.35016

CODE	NOTE	PACK	FINISH
RAM.A31	BALLBEARING	BOX	ZINC PL

UPPER ALU PROFILE

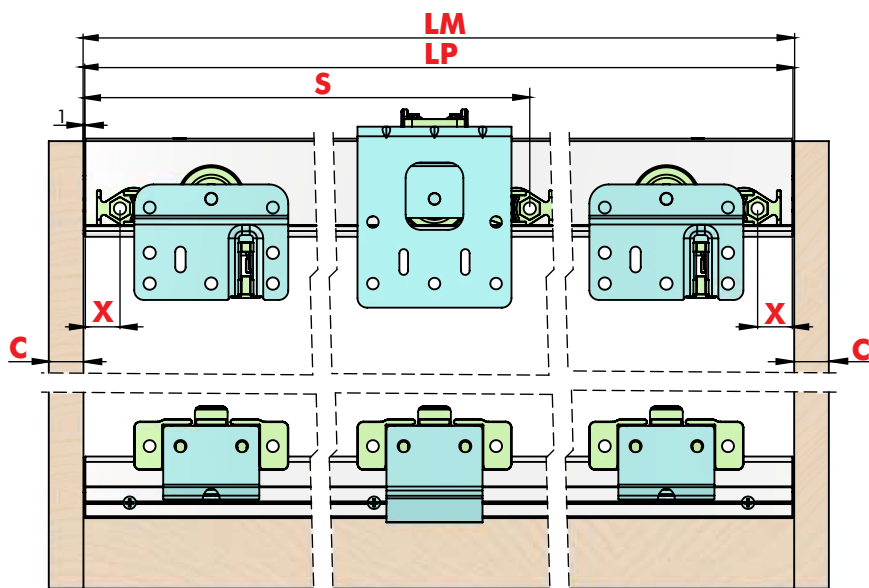


LOWER ALU PROFILE



CODE	FINISH	CODE	FINISH
RAM.B.0000.00	RAW	RAM.C.0000.00	RAW

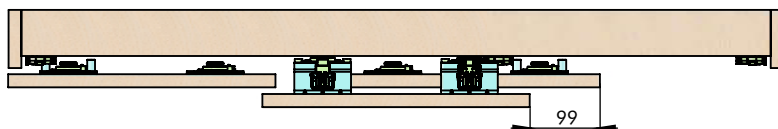
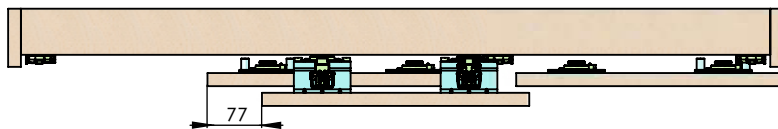
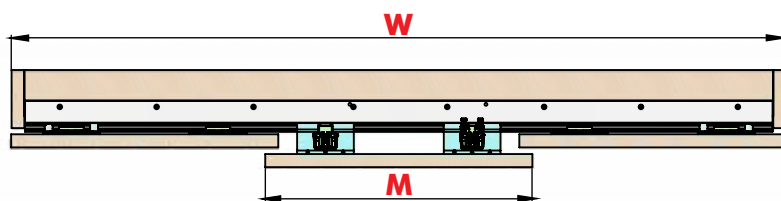
XXXX - LENGHT IN MM

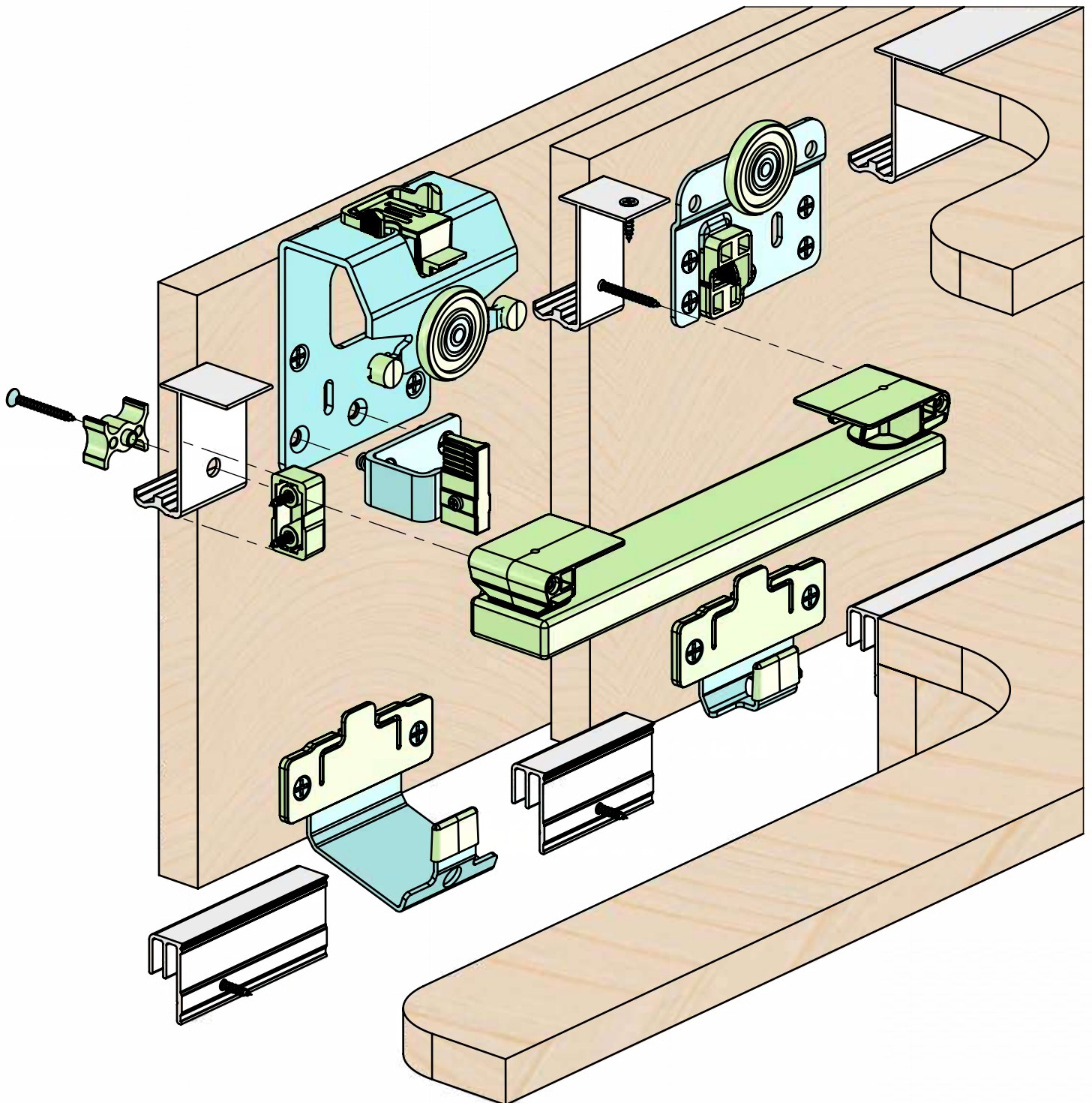


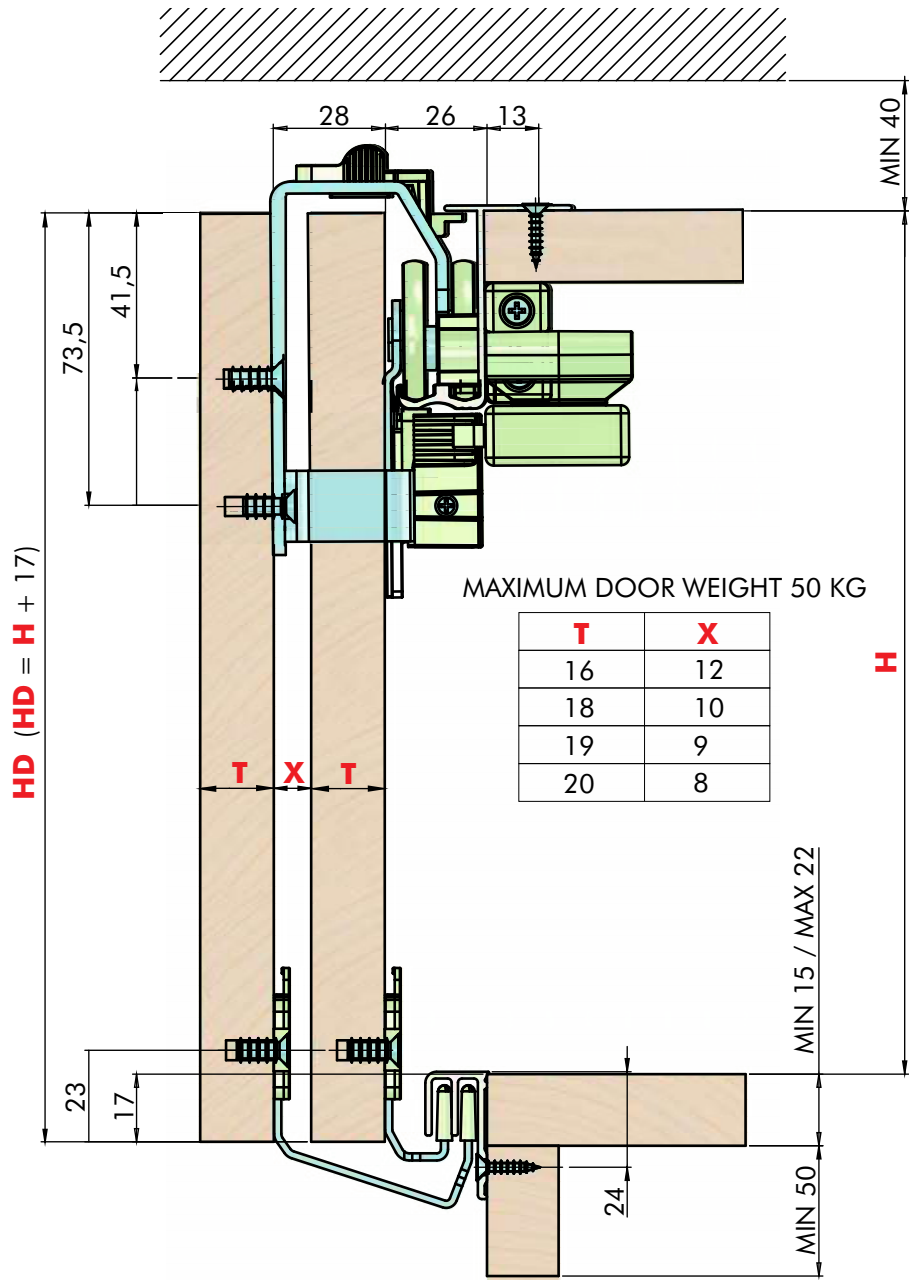
$$LP = LM - 2$$

$$X = 36 - C$$

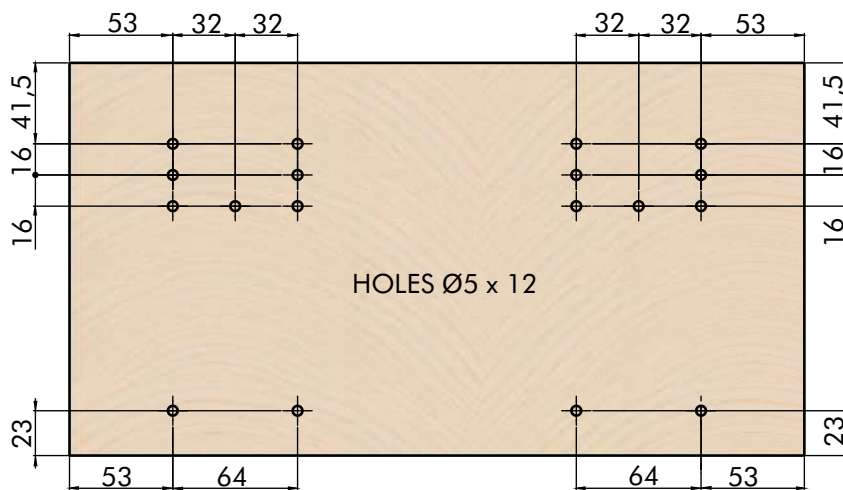
$$S = (W/2) + (M/2) - C - 36,5$$





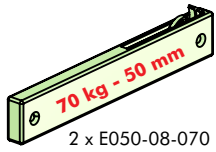
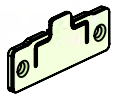
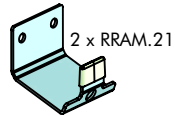
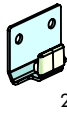
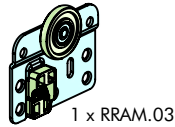
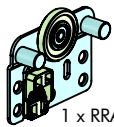
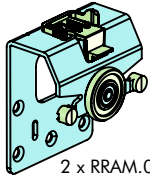


DOOR DRILLINGS

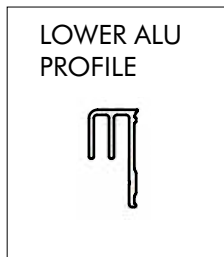
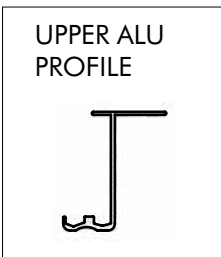


RAM SOFT - 2 DOORS

RAM COMPONENTS



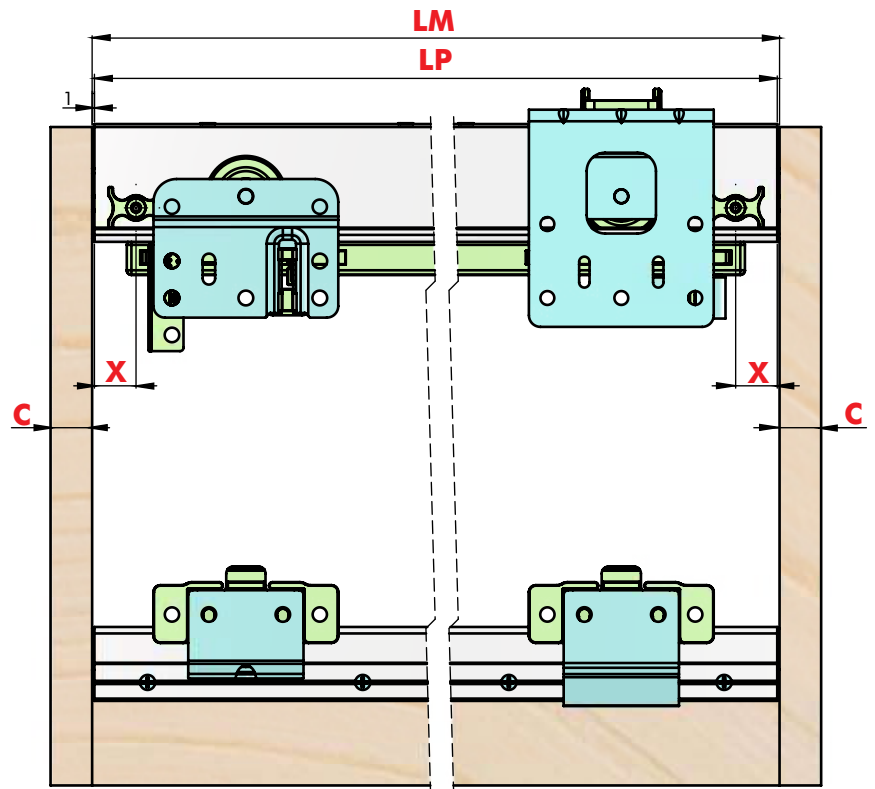
CODE	NOTE	PACK	FINISH
RAM.A28	BALLBEARING	BOX	ZINC PL



CODE	FINISH
RAM.BXXXX.00	RAW

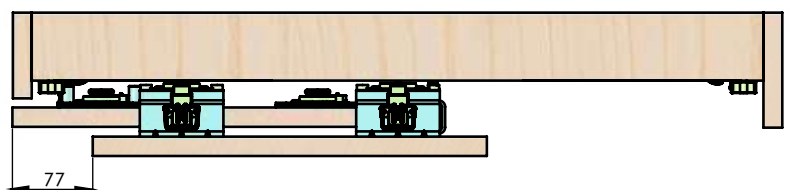
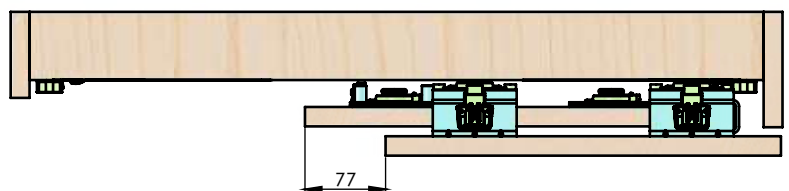
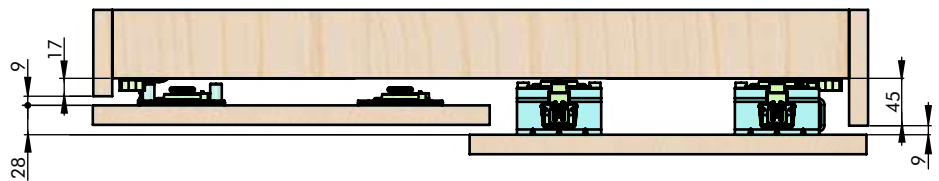
CODE	FINISH
RAM.CXXXX.00	RAW

XXXX - LENGHT IN MM



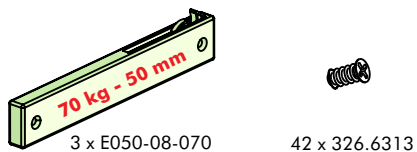
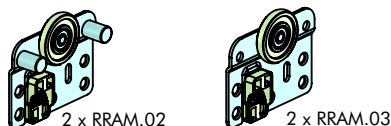
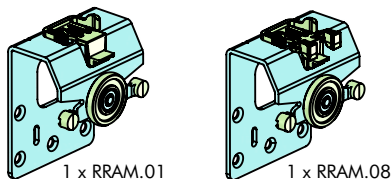
$$LP = LM - 2$$

$$X = 36 - C$$

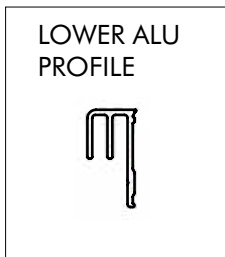
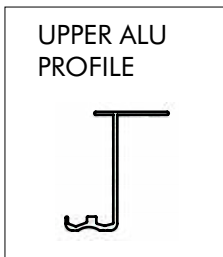


RAM SOFT - 3 DOORS

RAM COMPONENTS



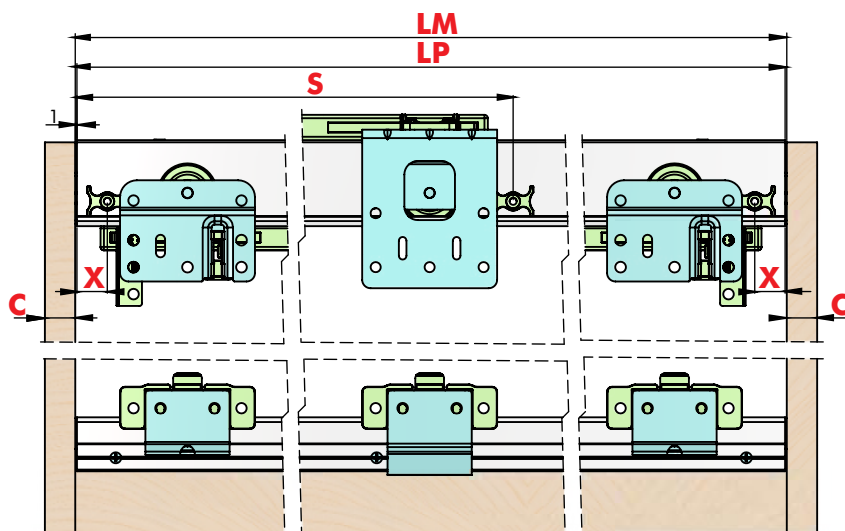
CODE	NOTE	PACK	FINISH
RAM.A38	BALLBEARING	BOX	ZINC PL



CODE	FINISH
RAM.BXXXX.00	RAW

CODE	FINISH
RAM.CXXXX.00	RAW

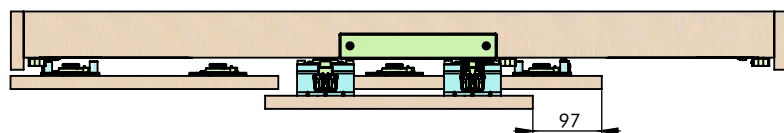
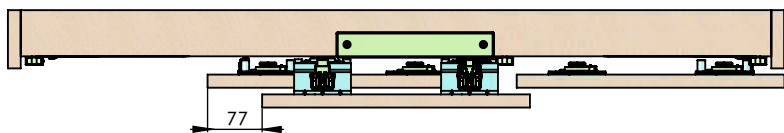
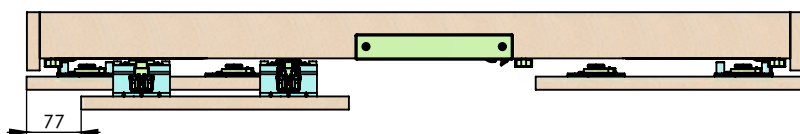
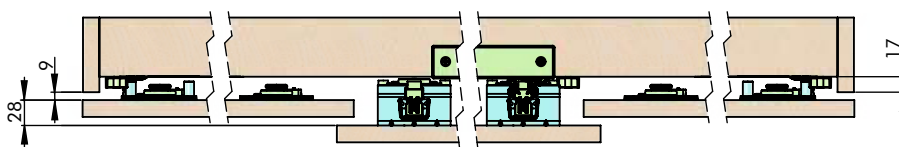
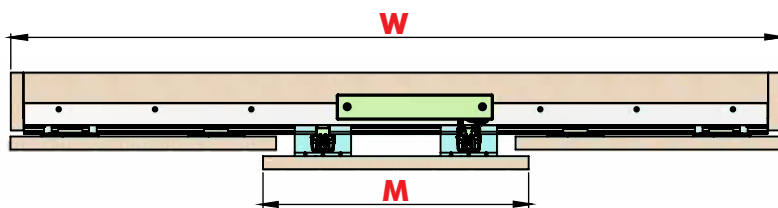
XXXX - LENGHT IN MM



$$LP = LM - 2$$

$$X = 36 - C$$

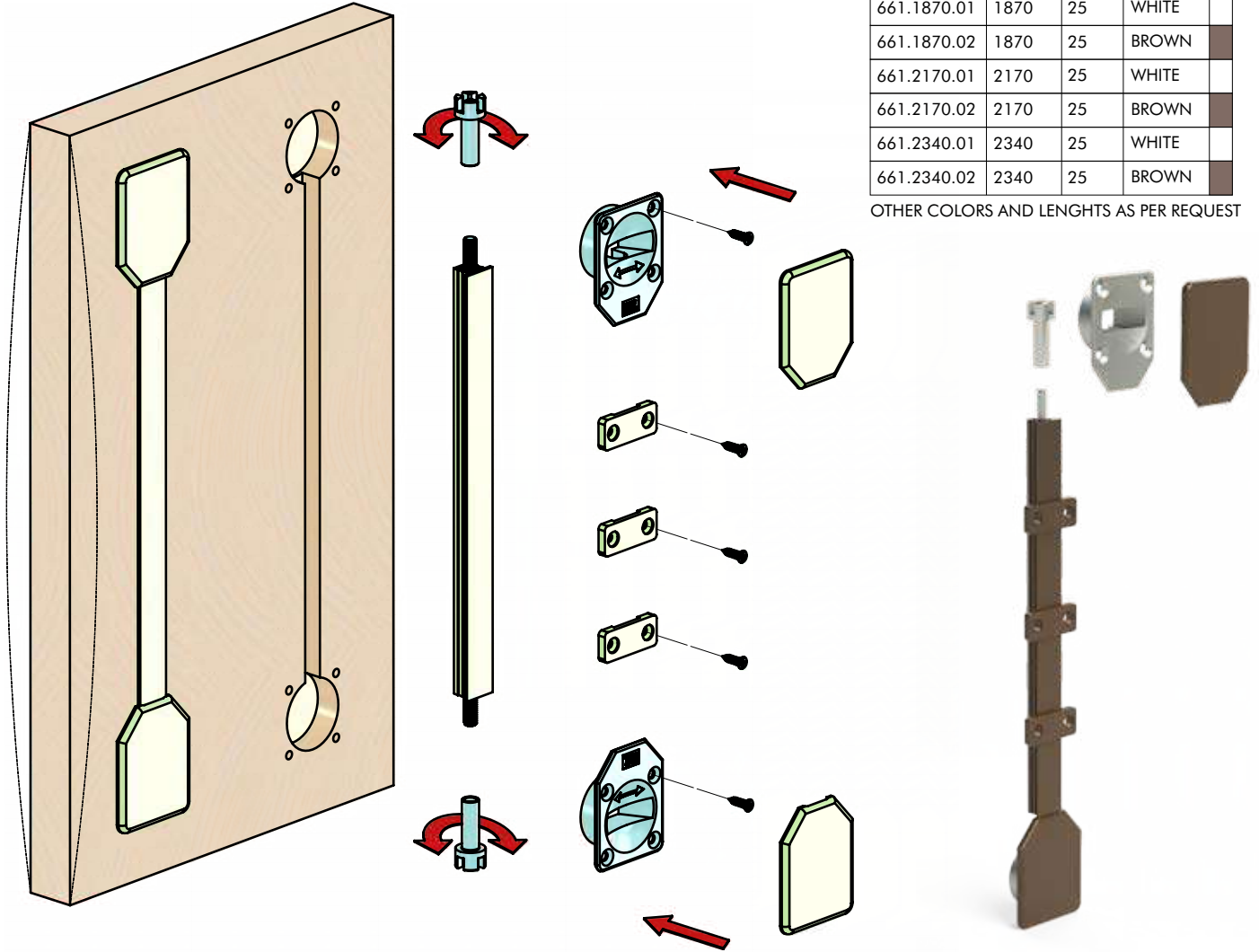
$$S = (W/2) + (M/2) - C - 36,5$$



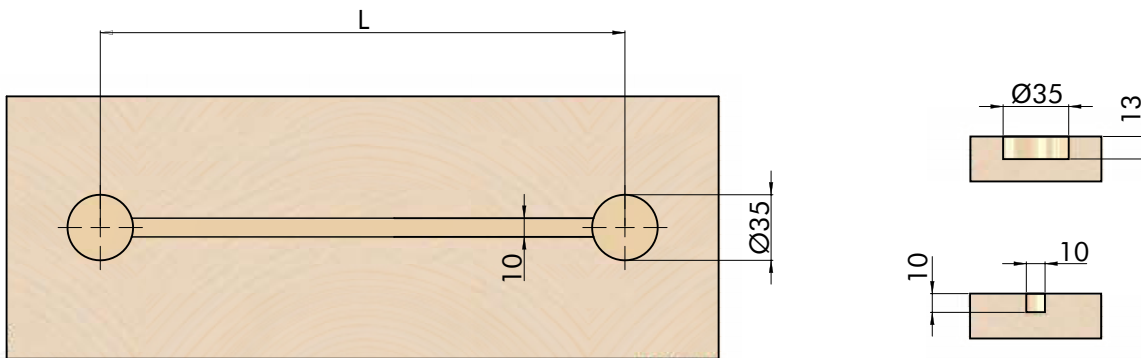
STRAIGHTENING BARS

CODE	L	PACK	COLOR
661.1570.01	1570	25	WHITE
661.1570.02	1570	25	BROWN
661.1870.01	1870	25	WHITE
661.1870.02	1870	25	BROWN
661.2170.01	2170	25	WHITE
661.2170.02	2170	25	BROWN
661.2340.01	2340	25	WHITE
661.2340.02	2340 </tr		

OTHER COLORS AND LENGTHS AS PER REQUEST



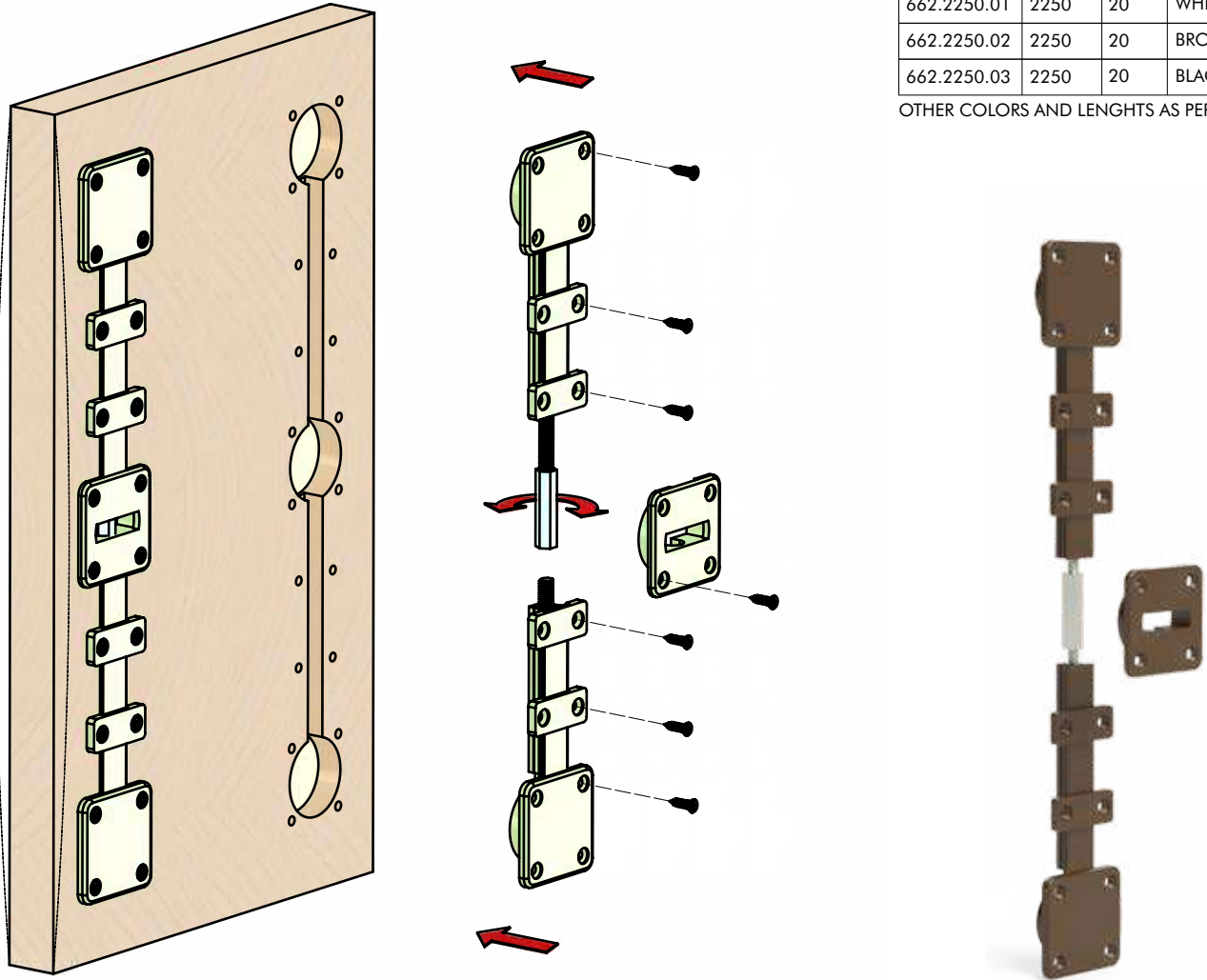
DOOR DRILLINGS



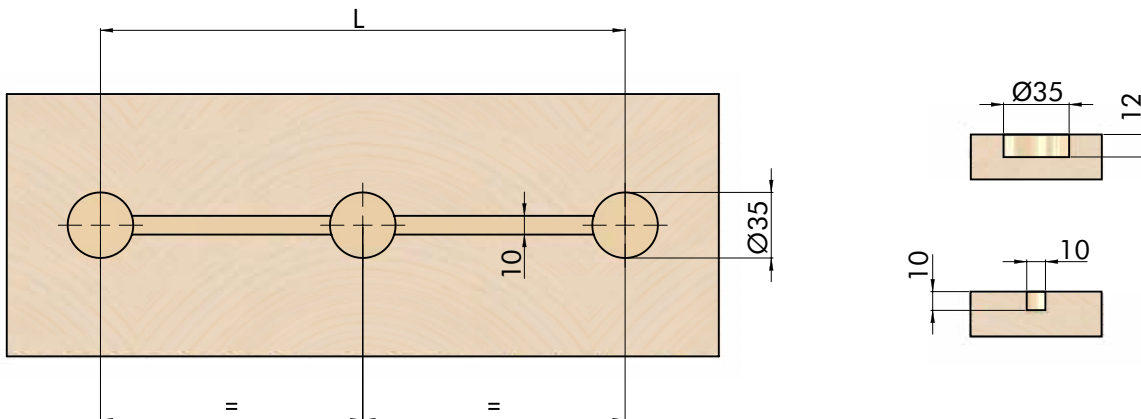
STRAIGHTENING BARS

CODE	L	PACK	COLOR
662.1850.02	1850	20	BROWN
662.2050.02	2050	20	BROWN
662.2250.01	2250	20	WHITE
662.2250.02	2250	20	BROWN
662.2250.03	2250	20	BLACK

OTHER COLORS AND LENGTHS AS PER REQUEST

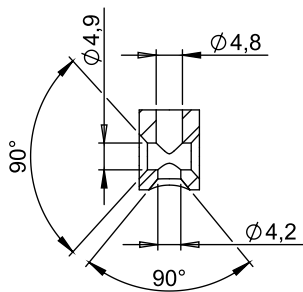
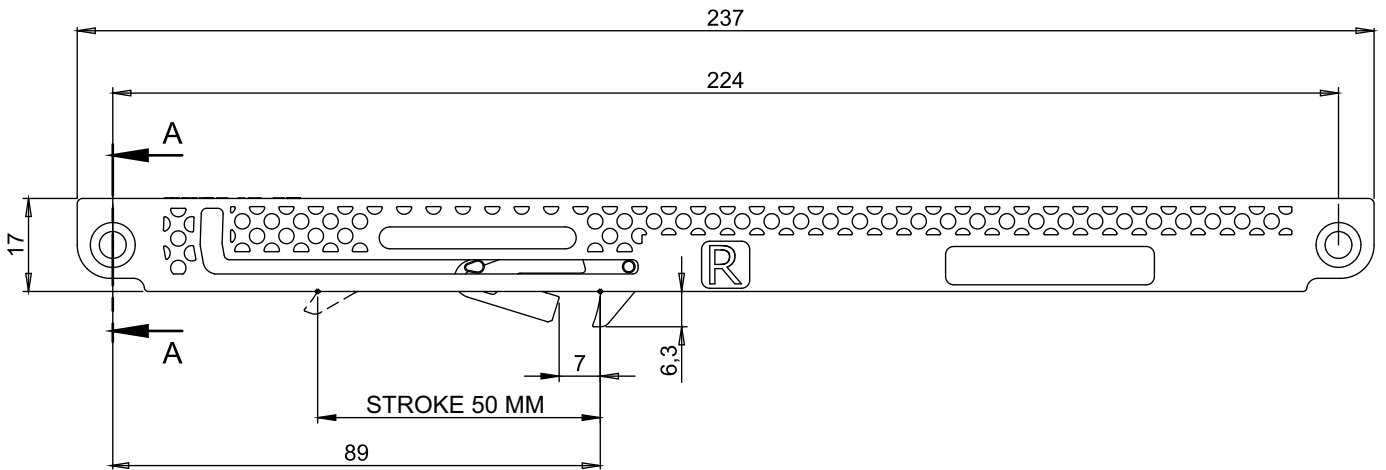


DOOR DRILLINGS

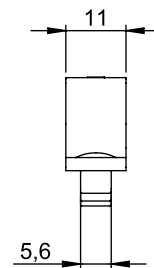


UNIVERSAL DAMPER

CODE	MASS	PACK	COLOR
880.15A0.06	15 KG	100	GRAY
880.40A0.06	40 KG	100	GRAY
880.60A0.06	60 KG	100	GRAY



SECTION A-A



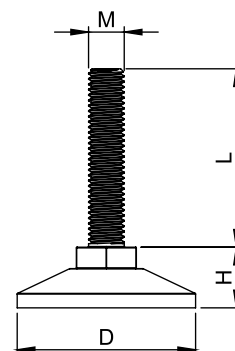
3. FURNITURE LEGS



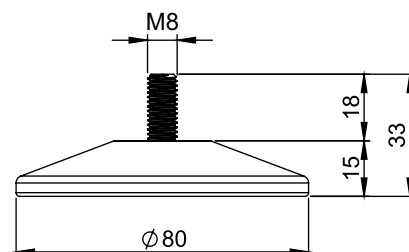
ADJUSTABLE FEETS



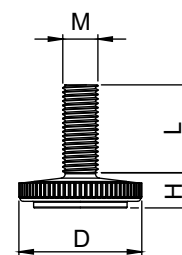
CODE	D	M	L	H	PACK	COLOR
190.3080.40	30	M8	30	16	200	BLACK
190.3100.40	30	M10	30	18	200	BLACK
190.5100.40	30	M10	50	18	150	BLACK
191.3100.40	50	M10	30	18	100	BLACK
191.5100.40	50	M10	50	18	100	BLACK



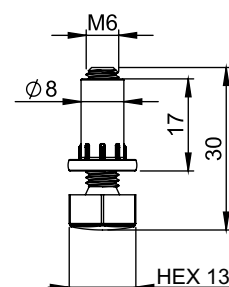
CODE	PACK	COLOR
194.0820.03	350	BLACK
194.0820.06	350	GRAY



CODE	D	M	L	H	PACK	COLOR
300.0615.40	21	M6	15	7	1500	BLACK
300.0620.40	21	M6	20	7	1500	BLACK
300.0822.40	28	M8	22	8	800	BLACK
300.1025.40	32	M10	25	9	500	BLACK



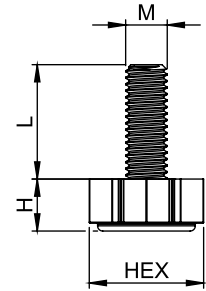
CODE	PACK	COLOR
604.0630.01	1500	WHITE
604.0630.03	1500	BLACK



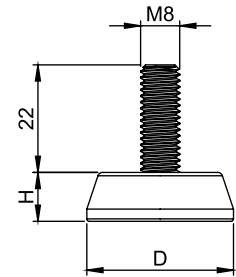
ADJUSTABLE FEETS



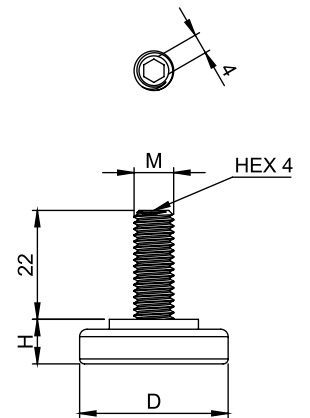
CODE	HEX	M	L	H	PACK	COLOR
PR1417.F622	17	M6	22	8,5	1000	BLACK
PR1422.F822	22	M8	22	10	500	BLACK
PR1422.F102	22	M10	28	10	500	BLACK



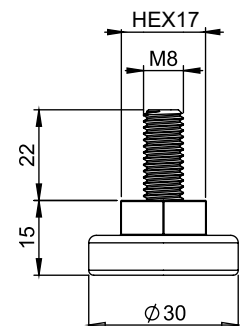
CODE	D	H	PACK	COLOR
PR1730.F822	30	10	500	BLACK
PR1740.F822	40	12	500	BLACK



CODE	D	M	H	PACK	COLOR
PR1825.E822	25	M8	9	500	BLACK
PR1830.E822	30	M8	9	500	BLACK
PR1840.E822	40	M8	10	500	BLACK
PR1840.E122	40	M10	10	500	BLACK



CODE	PACK	COLOR
PR1830.ES22	500	BLACK

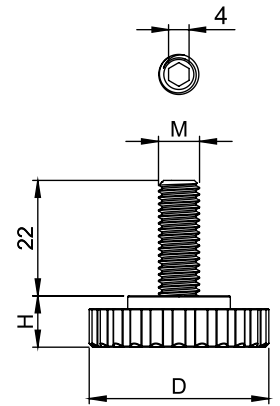


ADJUSTABLE FEETS

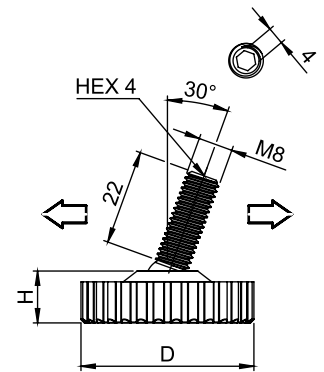


CODE	D	M	H	PACK	COLOR
PR2125.F622	25	M6	10	500	BLACK
PR2125.E822	25	M8	10	500	BLACK
PR2130.E822	30	M8	10	500	BLACK
PR2135.E822	35	M8	10	500	BLACK

M6 WHITOUT HEX

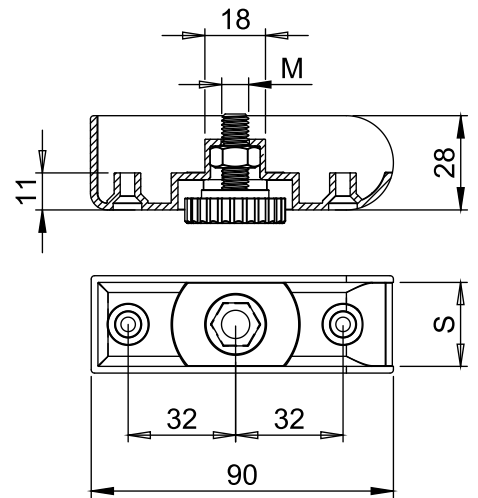


CODE	D	H	PACK	COLOR
PR2225.E822	25	10	500	BLACK
PR2230.E822	30	10	500	BLACK
PR2235.E822	35	10	500	BLACK
PR2240.E822	40	12	500	BLACK



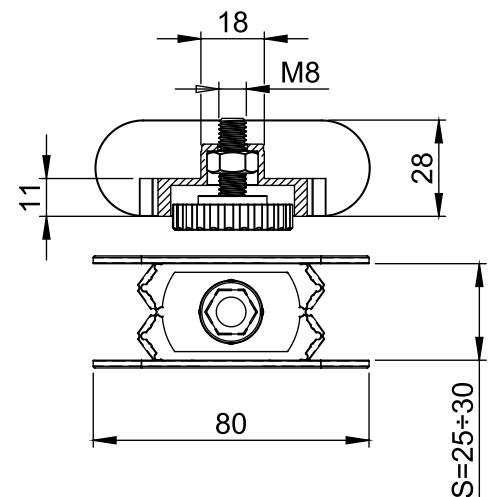
CODE	S	M	PACK	COLOR	PAIR WITH
PR2618.M603	18	M6	500	BLACK	PR2125.F622
PR2619.M603	19	M6	500	BLACK	PR2125.F622
PR2625.M803	25	M8	400	BLACK	PR2130.F822
PR2628.M803	28	M8	400	BLACK	PR2135.F822
PR2630.M803	30	M8	400	BLACK	PR2135.F822

THE REGULATING FEET IS NOT INCLUDED. MUST BE ORDERED SEPARATELY.



CODE	S	PACK	COLOR	PAIR WITH
PR2701.M803	25	500	BLACK	PR2130.F822
PR2701.M803	28	500	BLACK	PR2135.F822
PR2701.M803	30	500	BLACK	PR2135.F822

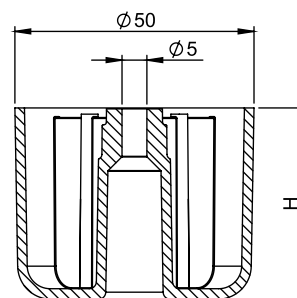
THE REGULATING FEET IS NOT INCLUDED. MUST BE ORDERED SEPARATELY.



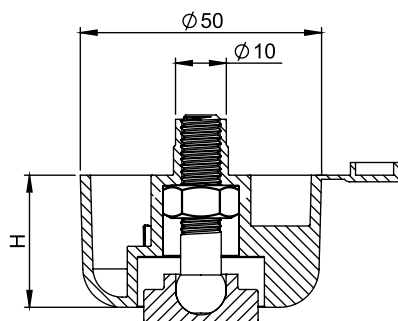
ADJUSTABLE FEETS



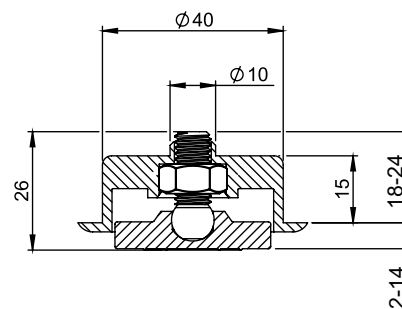
CODE	H	PACK	COLOR
307.3500.03	35	900	BLACK
307.4000.03	40	800	BLACK
307.5000.03	50	600	BLACK



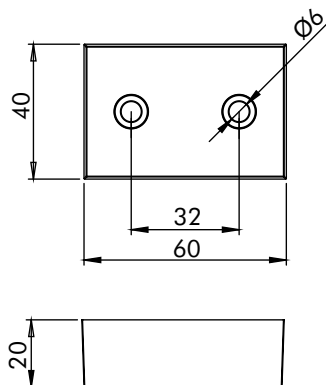
CODE	H	PACK	COLOR
310.1700.03	17	500	BLACK
310.2700.03	27	500	BLACK
310.4400.03	44	400	BLACK



CODE	PACK	COLOR
PR2340.2203	600	BLACK



CODE	PACK	COLOR
R20.0000.96	200	RAL 9006

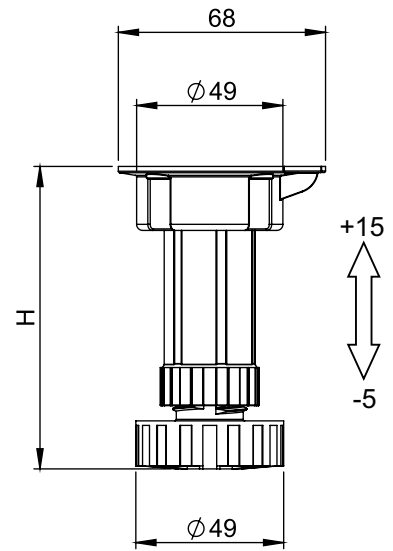
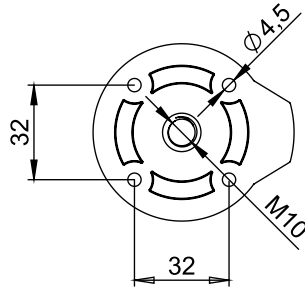
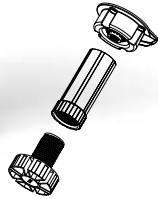


KITCHEN LEGS

KITCHEN LEG COMPOSED OF 3 PARTS



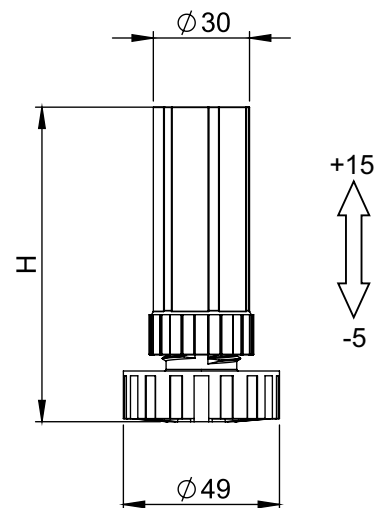
CODE	H	PACK	COLOR
421.0800.03	80	350	BLACK
421.1000.03	100	300	BLACK
421.1200.03	120	250	BLACK
421.1500.03	150	200	BLACK



ADJUSTABLE TUBE WITH SCREW



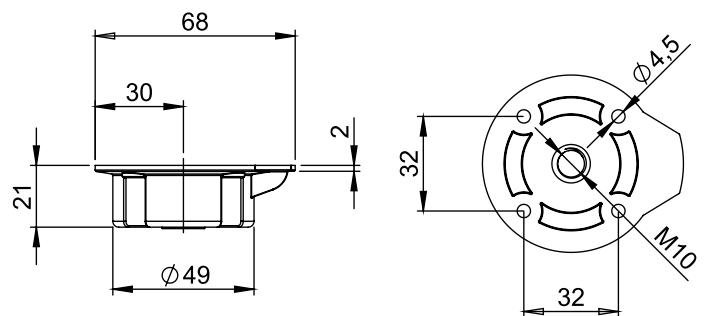
CODE	H	PACK	COLOR
441.0800.03	80	600	BLACK
441.1000.03	100	500	BLACK
441.1200.03	120	400	BLACK
441.1500.03	150	300	BLACK



PLATE



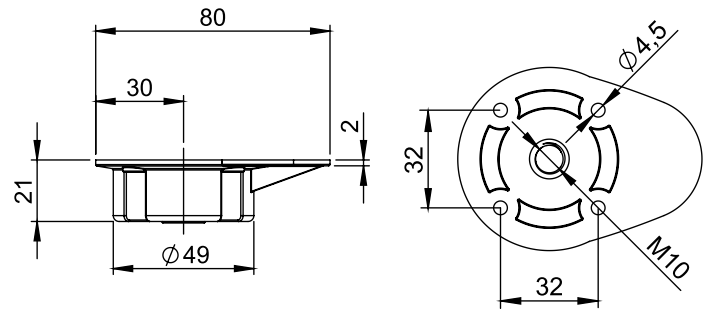
CODE	PACK	COLOR
430.0000.03	1000	BLACK



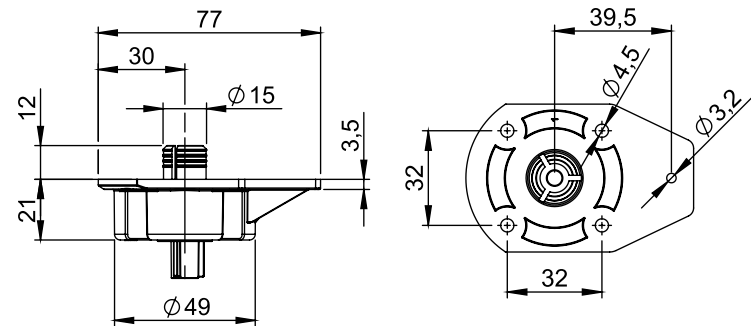
KITCHEN LEGS



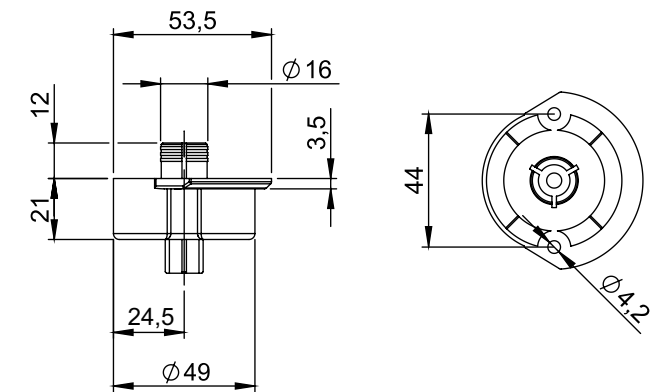
CODE	PACK	COLOR
434.0000.03	1000	BLACK



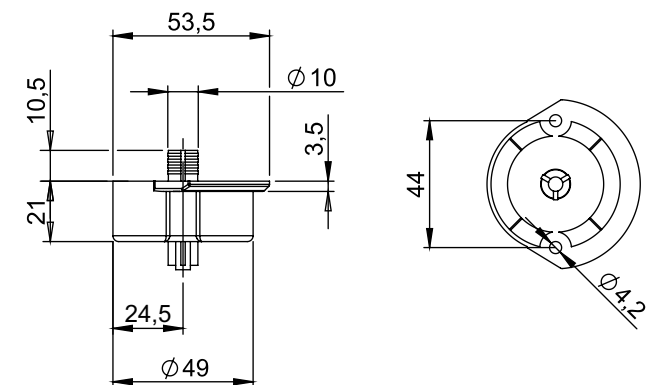
CODE	PACK	COLOR
433.EX15.03	1000	BLACK



CODE	PACK	COLOR
431.EX16.03	1000	BLACK



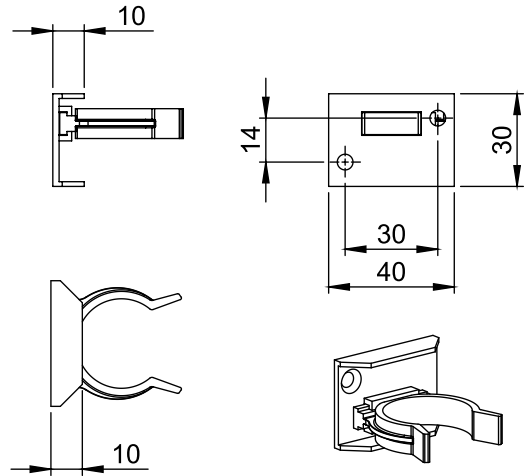
CODE	PACK	COLOR
432.EX10.03	1000	BLACK



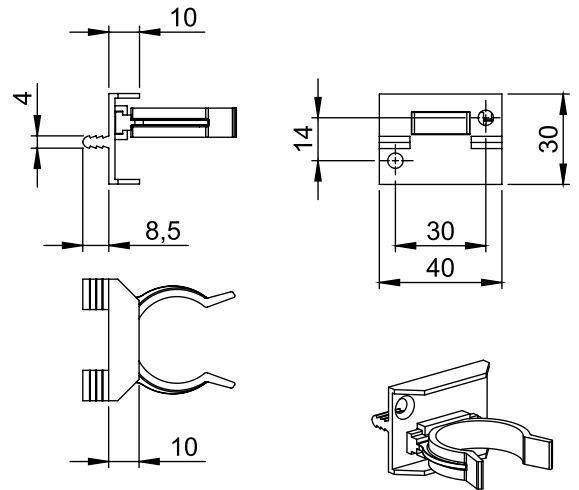
KITCHEN LEGS - ACCESSORIES



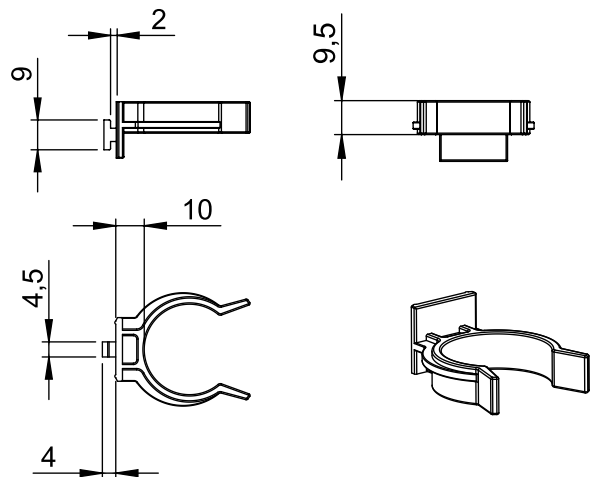
CODE	PACK	COLOR
423.10VI.03	2500	BLACK



CODE	PACK	COLOR
423.20UT.03	2500	BLACK



CODE	PACK	COLOR
424.0000.03	2500	BLACK



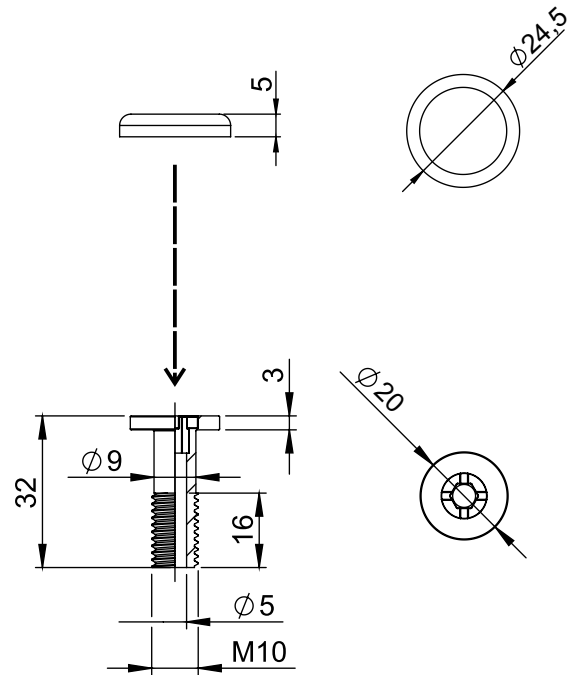
KITCHEN LEGS - ACCESSORIES



CODE	PACK	COLOR
579.2500.01	1000	WHITE



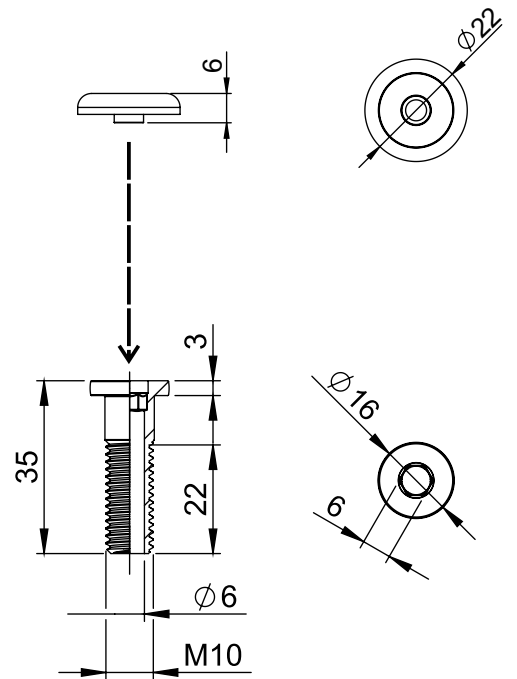
CODE	PACK	COLOR
579.1032.03	1000	BLACK



CODE	PACK	COLOR
578.3500.01	1000	WHITE



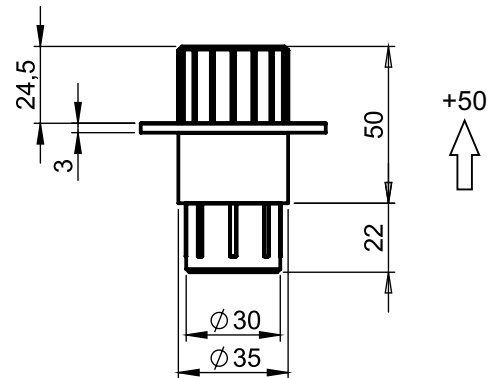
CODE	PACK	FINISH
578.1035.40	1000	ZINC PL



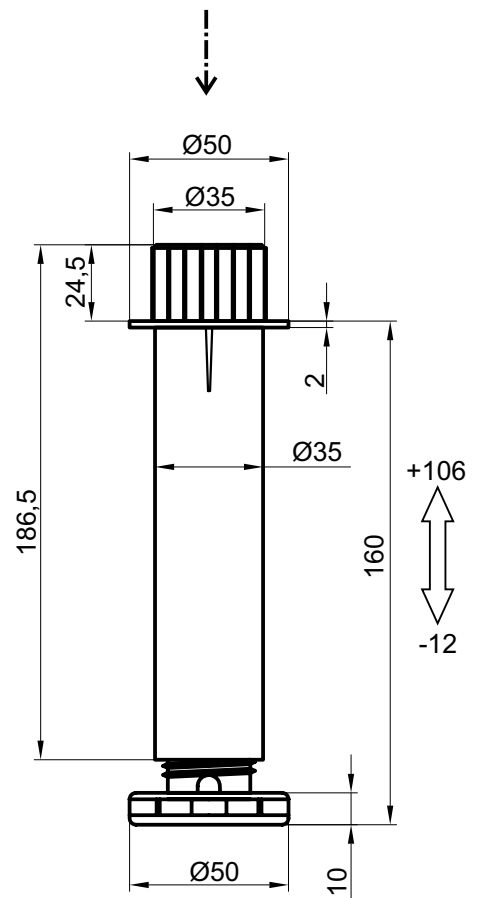
OTHER LEGS



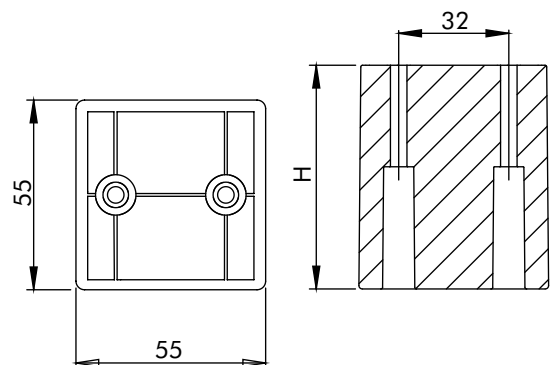
CODE	PACK	COLOR
04.0371.03	200	BLACK



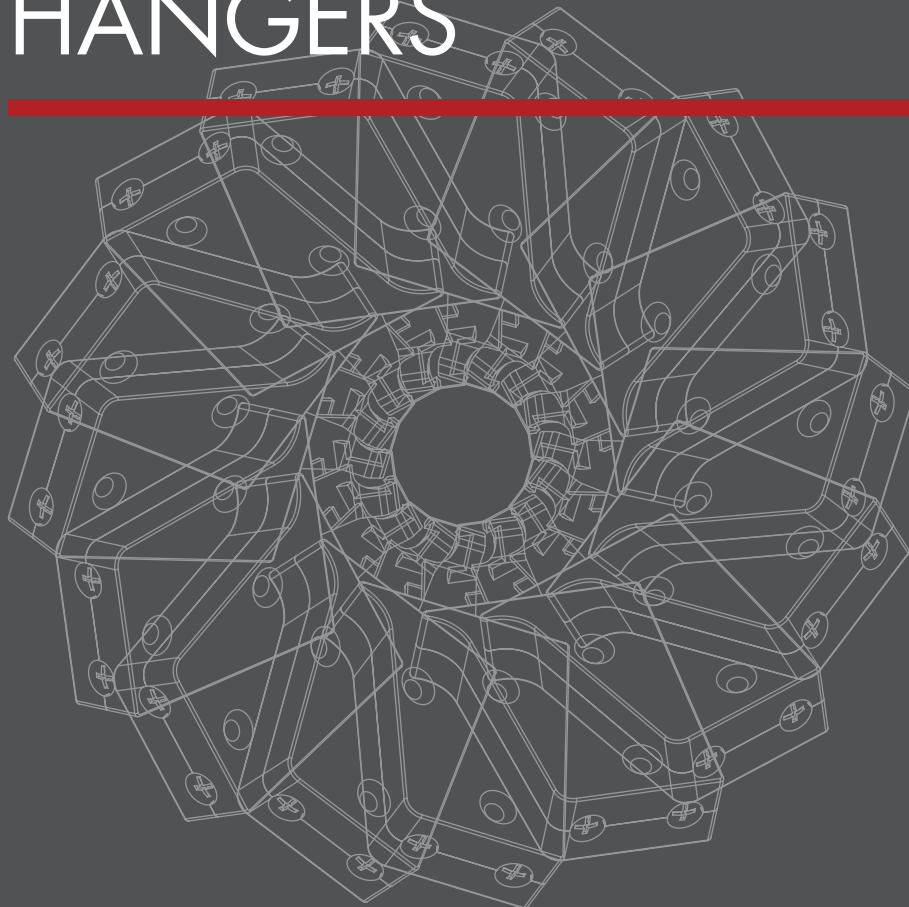
CODE	PACK	COLOR
04.0370.03	200	BLACK



CODE	H	PACK	COLOR
R25.0500.96	50	200	RAL 9006
R25.0650.96	65	200	RAL 9006



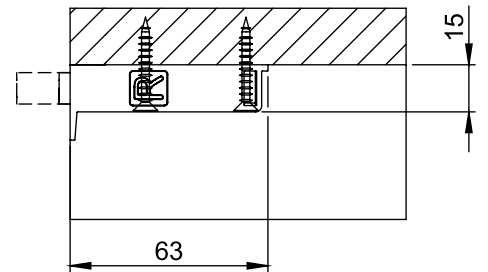
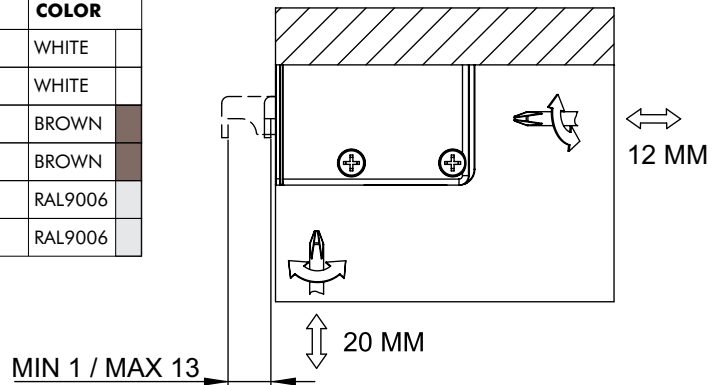
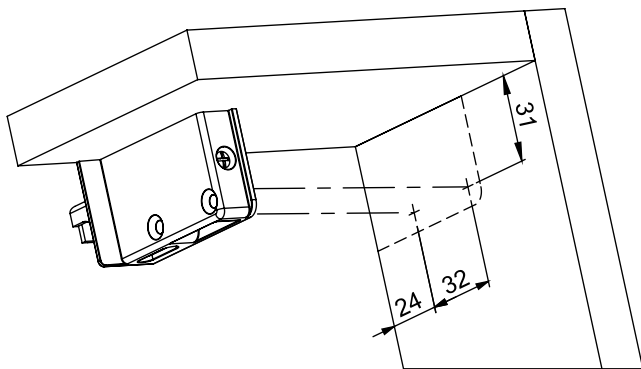
4. CABINET HANGERS



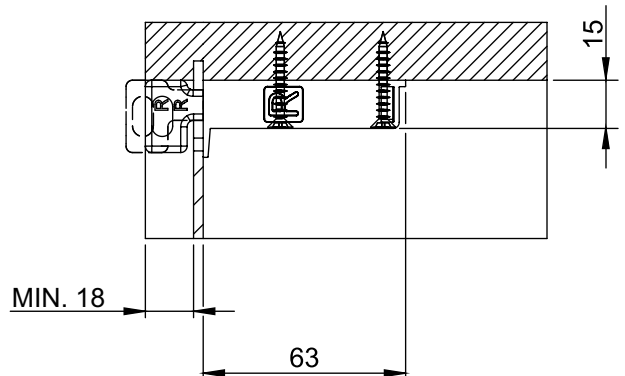
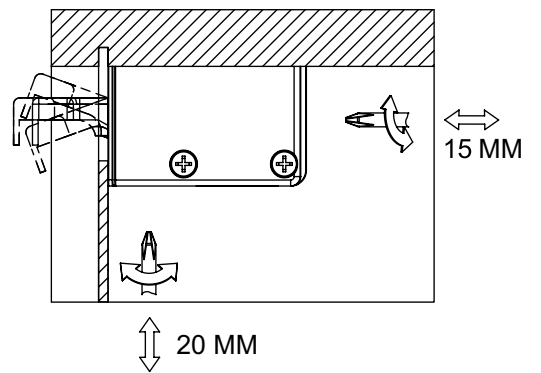
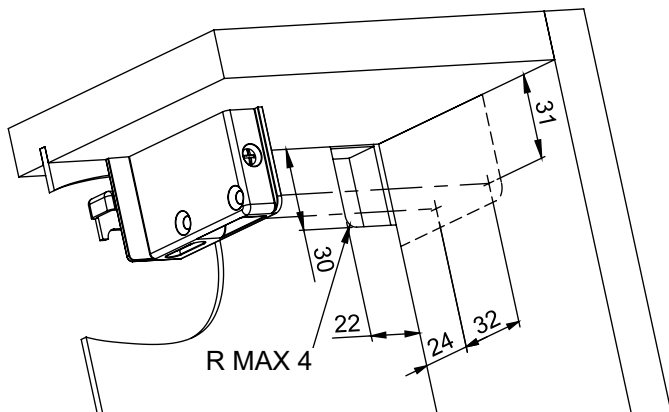
CABINET HANGERS



CODE	NOTE	PACK	COLOR
146.UNIR.01	RIGHT	200	WHITE
146.UNIL.01	LEFT	200	WHITE
146.UNIR.02	RIGHT	200	BROWN
146.UNIL.02	LEFT	200	BROWN
146.UNIR.96	RIGHT	200	RAL9006
146.UNIL.96	LEFT	200	RAL9006



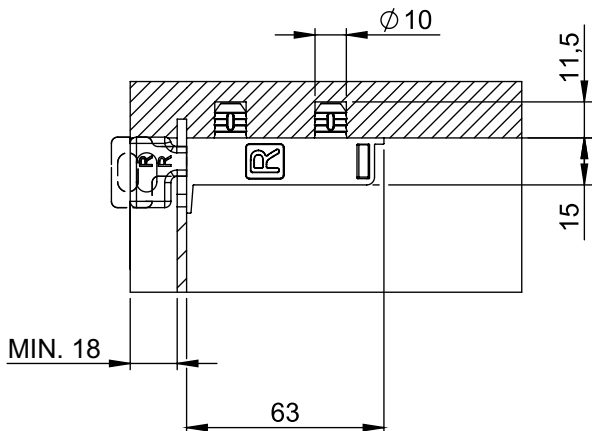
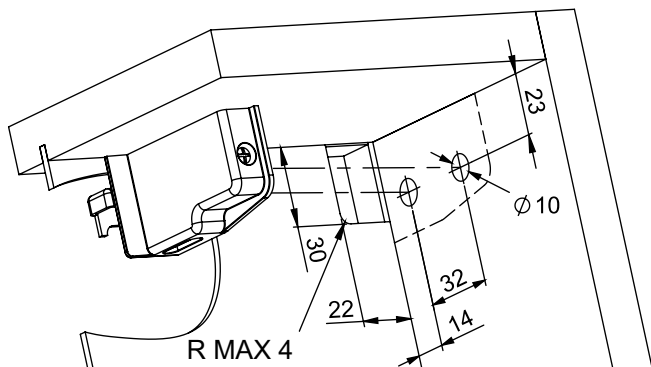
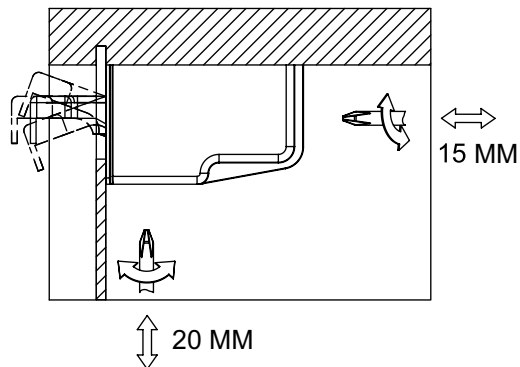
CODE	NOTE	PACK	COLOR
146.R000.01	RIGHT	200	WHITE
146.L000.01	LEFT	200	WHITE
146.R000.02	RIGHT	200	BROWN
146.L000.02	LEFT	200	BROWN
146.R000.96	RIGHT	200	RAL9006
146.L000.96	LEFT	200	RAL9006



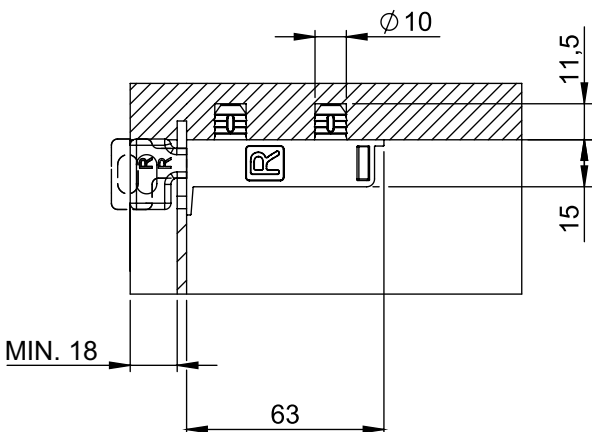
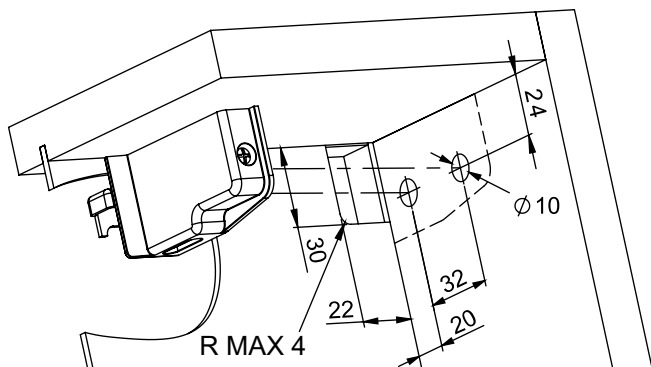
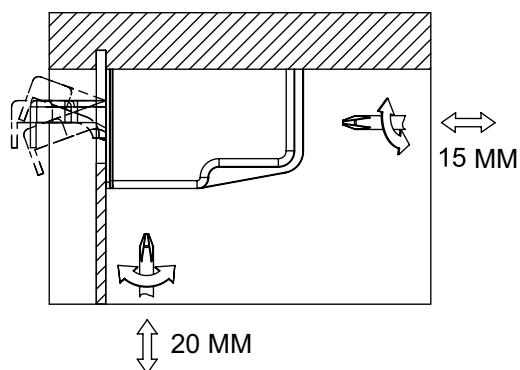
CABINET HANGERS



CODE	NOTE	PACK	COLOR
147.R000.01	RIGHT	200	WHITE
147.L000.01	LEFT	200	WHITE
147.R000.02	RIGHT	200	BROWN
147.L000.02	LEFT	200	BROWN
147.R000.96	RIGHT	200	RAL9006
147.L000.96	LEFT	200	RAL9006



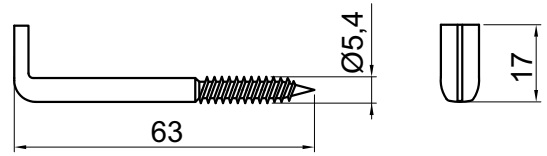
CODE	NOTE	PACK	COLOR
147.20R0.01	RIGHT	200	WHITE
147.20L0.01	LEFT	200	WHITE
147.20R0.02	RIGHT	200	BROWN
147.20L0.02	LEFT	200	BROWN
147.20R0.96	RIGHT	200	RAL9006
147.20L0.96	LEFT	200	RAL9006



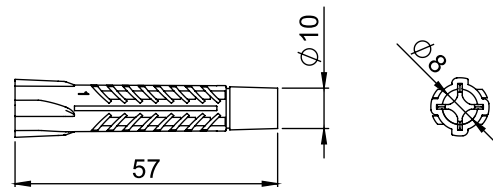
CABINET HANGERS ACCESSORIES



CODE	PACK	FINISH
585.5463.40	1500	ZINC PL

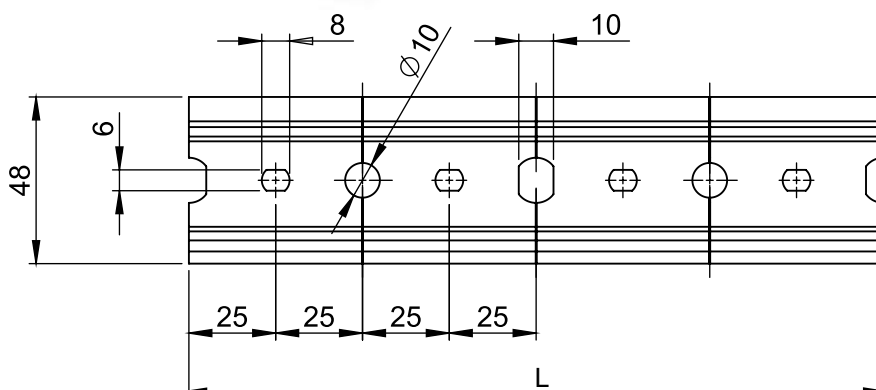


CODE	PACK	COLOR
585.1056.07	1500	BLUE



CODE	L	PACK	FINISH
801.2000.40	2000	10	ZINC PL
801.3000.40	3000	10	ZINC PL

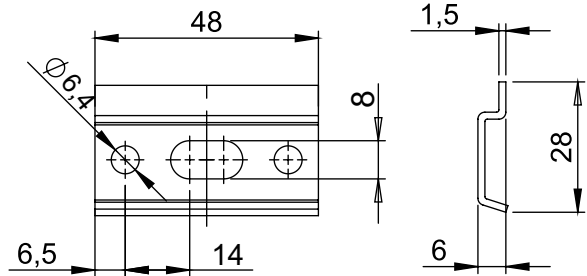
BAR THICKNESS 1,2 MM



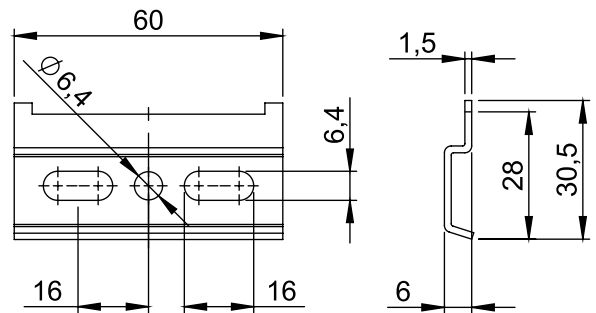
CABINET HANGERS ACCESSORIES



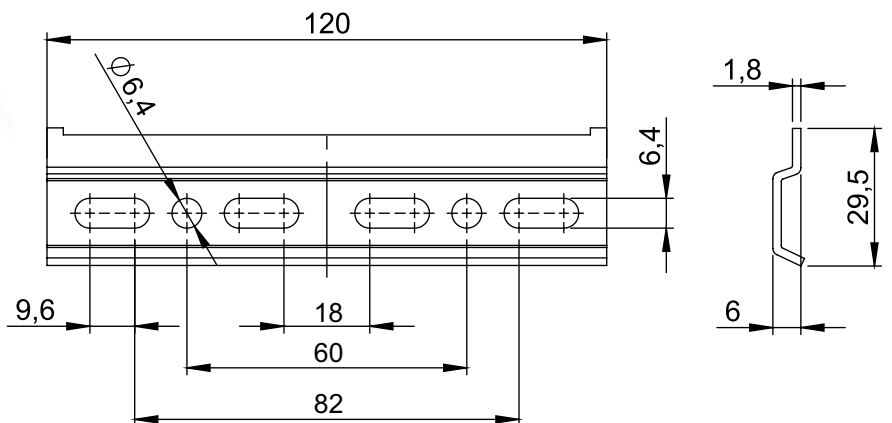
CODE	PACK	FINISH
258.4800.40	700	ZINC PL



CODE	PACK	FINISH
258.6000.40	500	ZINC PL



CODE	PACK	FINISH
258.1200.40	400	ZINC PL



CABINET HANGERS

4 HOLES VERSION

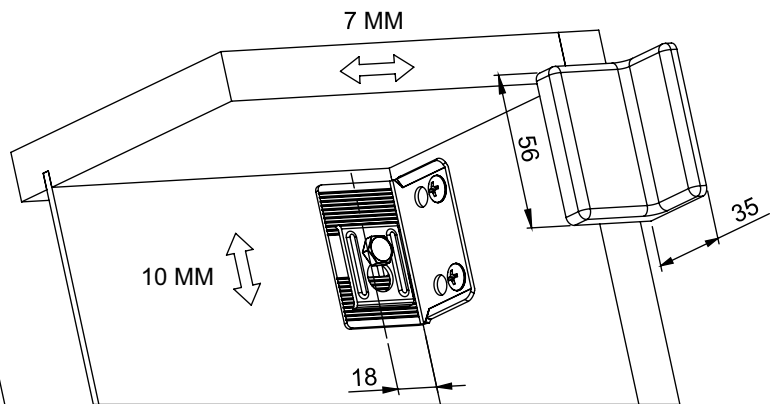
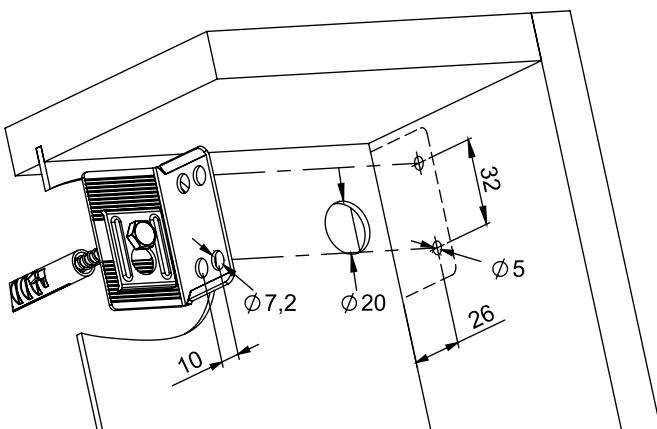
CODE	PACK	COLOR
145.0099.01	200	WHITE
145.0099.02	200	BROWN
145.0099.03	200	BLACK
145.0099.04	200	BEIGE
145.0099.06	200	GRAY
145.0099.15	200	CHERRY

PRODUCT CONTAINS:
1 PCS CORNER BRACKET, 1 PCS KEYHOLE PLATE
1 PCS PLASTIC COVER



CODE	PACK	COLOR
145.0000.01	100	WHITE
145.0000.02	100	BROWN
145.0000.03	100	BLACK
145.0000.04	100	BEIGE
145.0000.06	100	GRAY
145.0000.15	100	CHERRY

PRODUCT CONTAINS:
1 PCS CORNER BRACKET, 1 PCS KEYHOLE PLATE,
1 PCS PLASTIC COVER, 2 PCS EURO SCREW
1 PCS SCREW DIN 571 6X70, 1 PCS DOWEL 10X56



CABINET HANGERS

5 HOLES VERSION

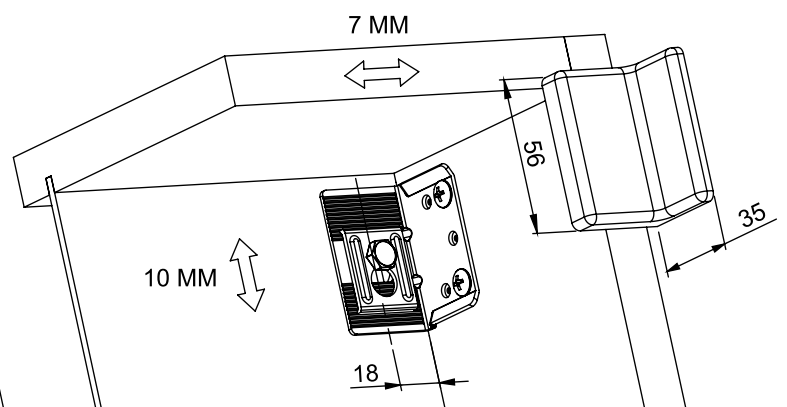
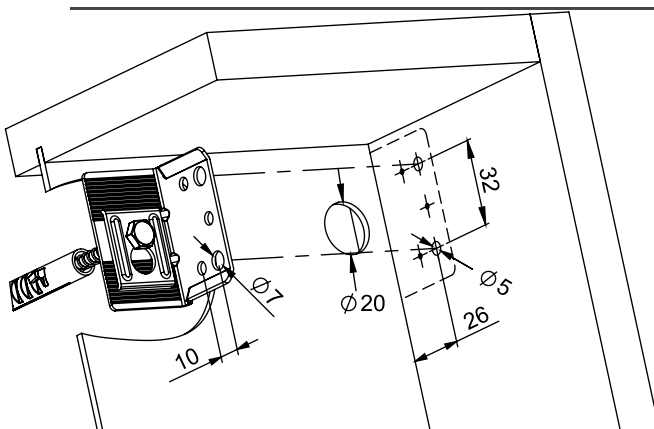
CODE	PACK	COLOR
345.9504.01	200	WHITE
345.9504.02	200	BROWN
345.9504.03	200	BLACK
345.9504.04	200	BEIGE
345.9504.06	200	GRAY
345.9504.15	200	CHERRY

PRODUCT CONTAINS:
 1 PCS CORNER BRACKET, 1 PCS KEYHOLE PLATE
 1 PCS PLASTIC COVER



CODE	PACK	COLOR
345.9115.01	100	WHITE
345.9115.02	100	BROWN
345.9115.03	100	BLACK
345.9115.04	100	BEIGE
345.9115.06	100	GRAY
345.9115.15	100	CHERRY

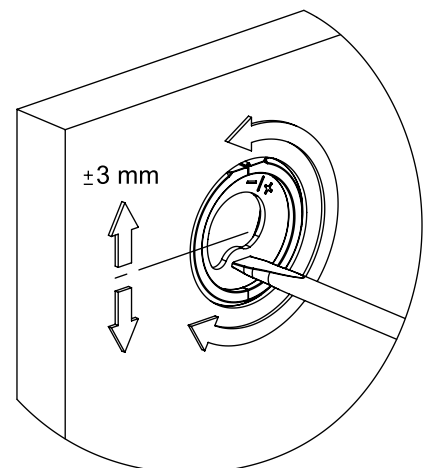
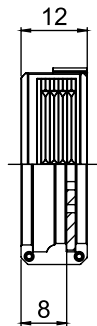
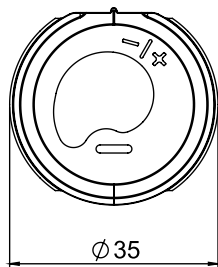
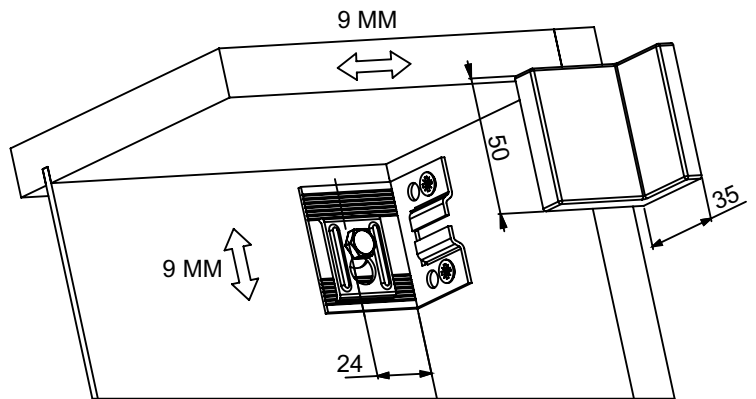
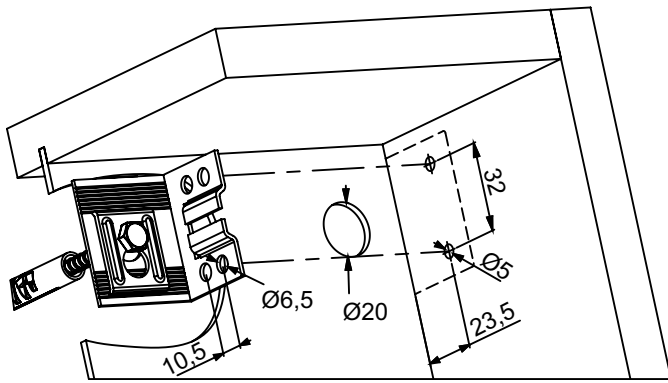
PRODUCT CONTAINS:
 1 PCS CORNER BRACKET, 1 PCS KEYHOLE PLATE,
 1 PCS PLASTIC COVER, 2 PCS EURO SCREW
 1 PCS SCREW DIN 571 6X70, 1 PCS DOWEL 10X56



CABINET HANGERS

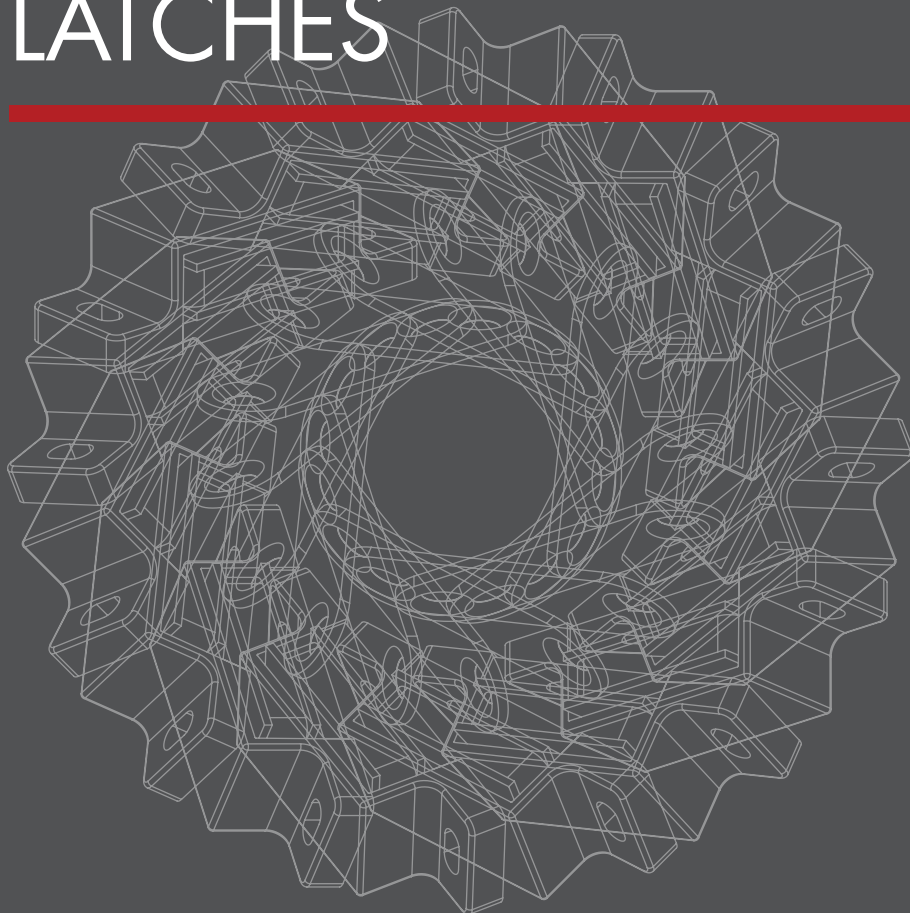
CODE	PACK	COLOR
145.E099.01	200	WHITE
145.E099.02	200	BROWN
145.E099.03	200	BLACK
145.E099.04	200	BEIGE
145.E099.06	200	GRAY
145.E099.15	200	CHERRY

PRODUCT CONTAINS:
 1 PCS CORNER BRACKET, 1 PCS KEYHOLE PLATE
 1 PCS PLASTIC COVER



CODE	PACK	COLOR
125.3500.03	1.500	BLACK

5. MAGNETS AND LATCHES

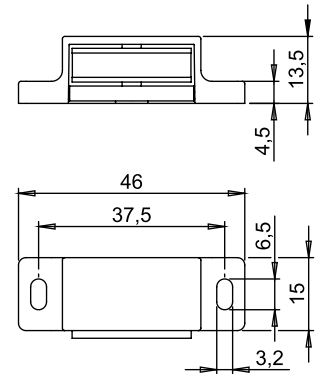


MAGNETIC CATCHES

MAGNETIC CATCH 271/OG - FORCE 3-4 KG



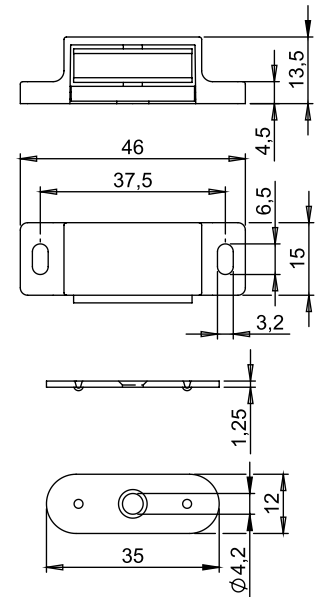
CODE	PACK	COLOR
271.0500.01	500	WHITE
271.0500.02	500	BROWN
271.0500.03	500	BLACK



MAGNETIC CATCH 271/1 - FORCE 3-4 KG



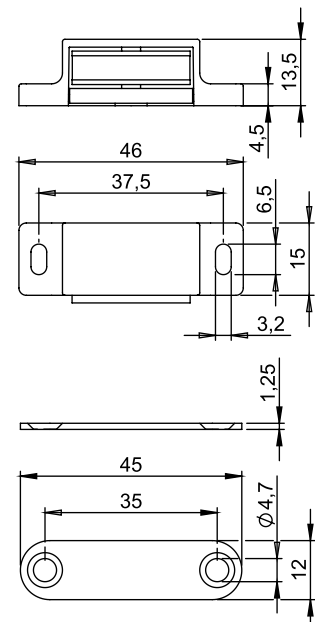
CODE	PACK	COLOR
271.1050.01	50	WHITE
271.1050.02	50	BROWN
271.1050.03	50	BLACK



MAGNETIC CATCH 271/2 - FORCE 3-4 KG



CODE	PACK	COLOR
271.2050.01	50	WHITE
271.2050.02	50	BROWN
271.2050.03	50	BLACK

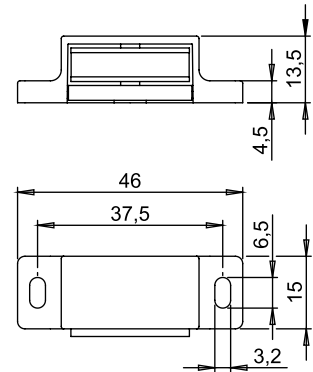


MAGNETIC CATCHES

MAGNETIC CATCH 272/OG - FORCE 4-5 KG



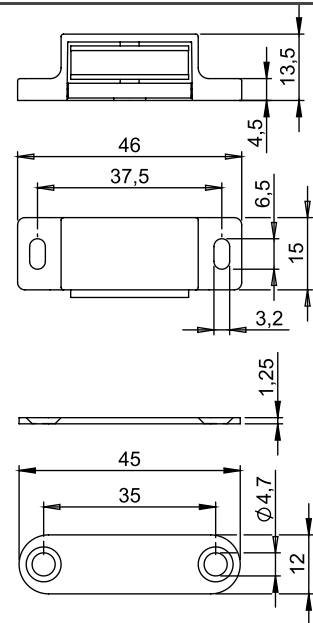
CODE	PACK	COLOR
272.0500.01	500	WHITE
272.0500.02	500	BROWN
272.0500.03	500	BLACK



MAGNETIC CATCH 272/2 - FORCE 4-5 KG



CODE	PACK	COLOR
272.2050.01	50	WHITE
272.2050.02	50	BROWN
272.2050.03	50	BLACK



MAGNETIC CATCH 274 FORCE 3-4 KG, 275 - FORCE 5-6 KG

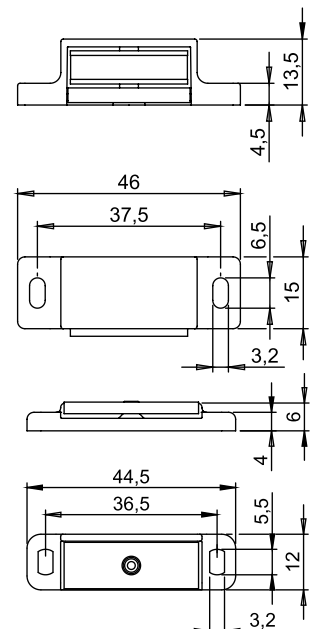


CODE	PACK	COLOR
274.0050.01	50	WHITE
274.0050.02	50	BROWN

FORCE 3-4 KG

CODE	PACK	COLOR
275.0050.01	50	WHITE
275.0050.02	50	BROWN

FORCE 5-6 KG

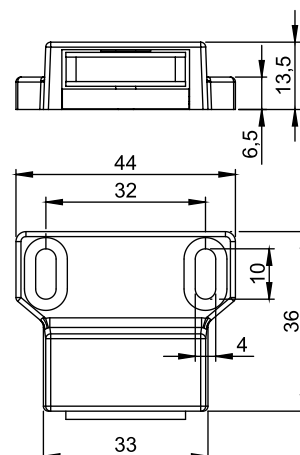


MAGNETIC CATCHES

MAGNETIC CATCH 2320/OG - FORCE 3-4 KG



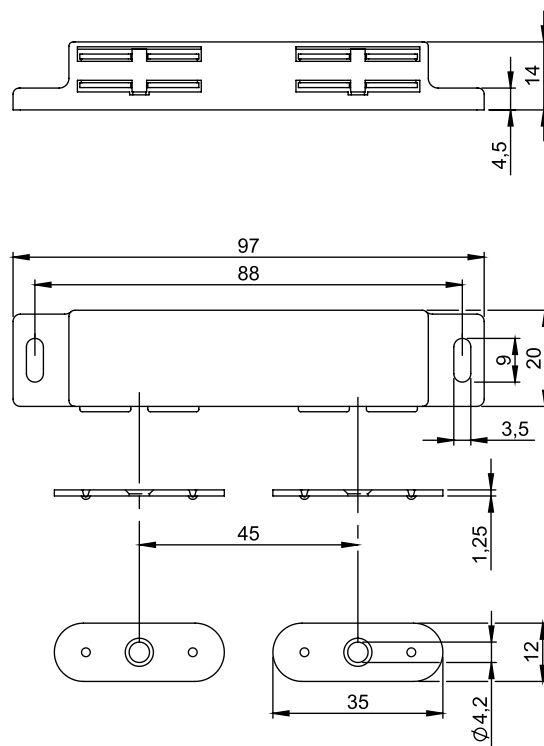
CODE	PACK	COLOR
2320.000.01	50	WHITE
2320.000.02	50	BROWN



MAGNETIC CATCH 2761 - FORCE 2 x 3-4 KG



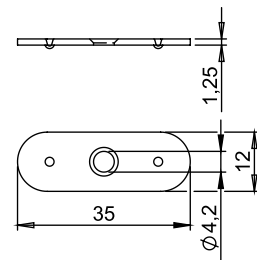
CODE	PACK	COLOR
2761.000.01	50	WHITE
2761.000.02	50	BROWN



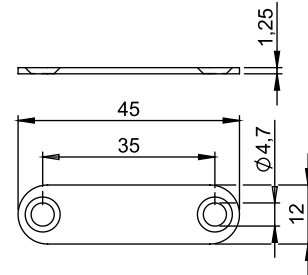
BACKPLATES



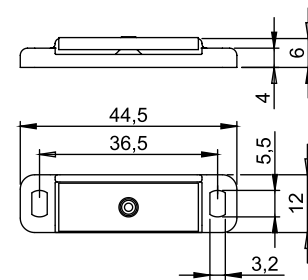
CODE	PACK	FINISH
107.N350.40	500	ZINC PL



CODE	PACK	FINISH
107.N500.40	500	ZINC PL



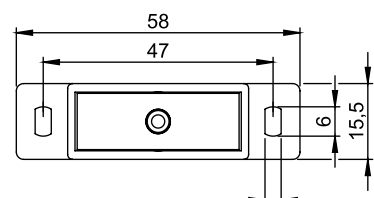
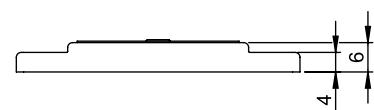
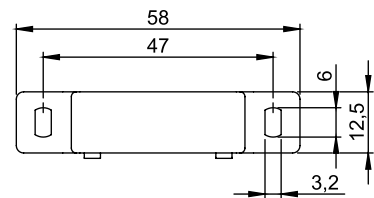
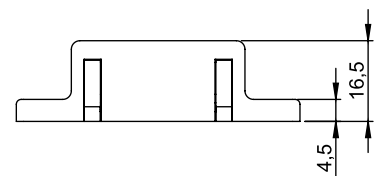
CODE	PACK	COLOR
274.PR00.01	500	WHITE
274.PR00.02	500	BROWN



MAGNETIC CATCH 264 - FORCE 4-5 KG



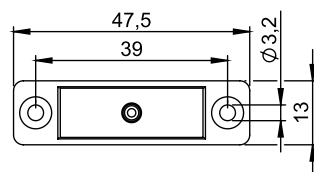
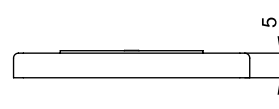
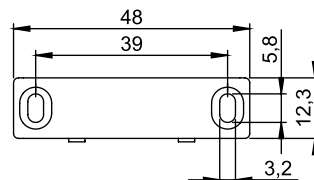
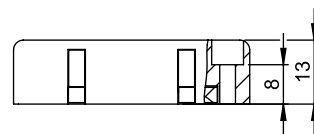
CODE	PACK	COLOR
264.0000.01	50	WHITE
264.0000.02	50	BROWN



MAGNETIC CATCHES

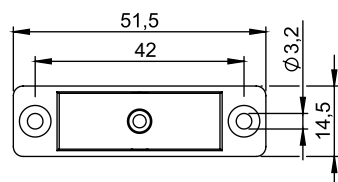
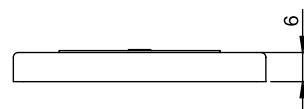
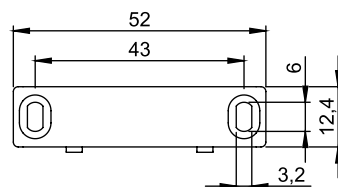
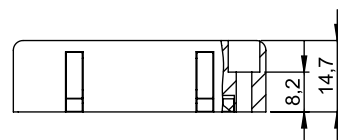
MAGNETIC CATCH 292 - FORCE 3-4 KG

CODE	PACK	COLOR
292.0000.01	50	WHITE
292.0000.02	50	BROWN



MAGNETIC CATCH 293 - FORCE 4-5 KG

CODE	PACK	COLOR
293.0000.01	50	WHITE
293.0000.02	50	BROWN

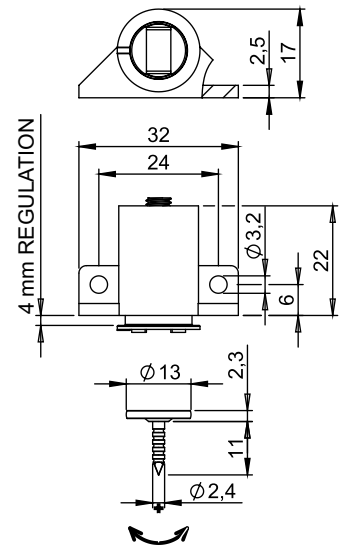


MAGNETIC CATCHES

MAGNETIC CATCH 273VS - FORCE 3-4 KG



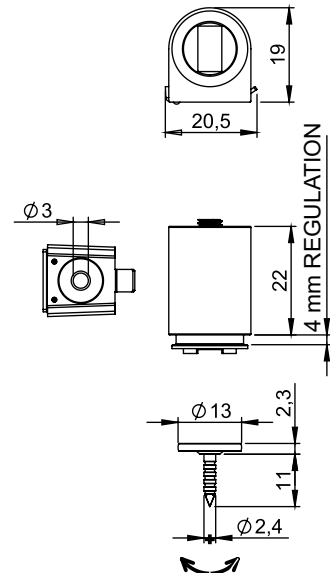
CODE	PACK	COLOR
273VS.00.01	50	WHITE
273VS.00.02	50	BROWN
273VS.00.03	50	BLACK



MAGNETIC CATCH 2730 - FORCE 3-4 KG



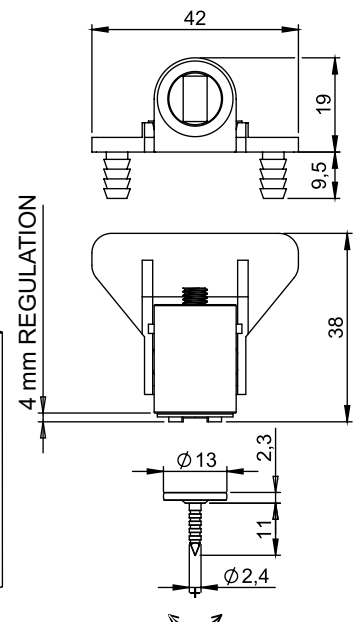
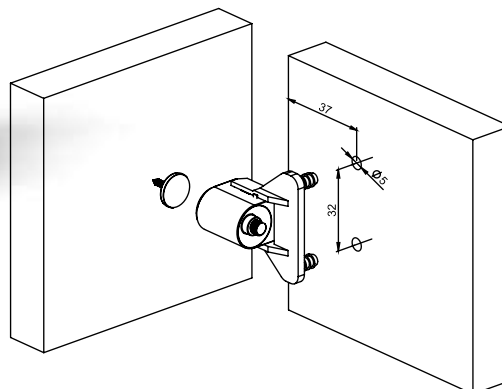
CODE	PACK	COLOR
2730.000.01	50	WHITE
2730.000.02	50	BROWN
2730.000.96	50	RAL9006



MAGNETIC CATCH 2730 Z32 - FORCE 3-4 KG



CODE	PACK	COLOR
2730.Z32.01	50	WHITE
2730.Z32.02	50	BROWN

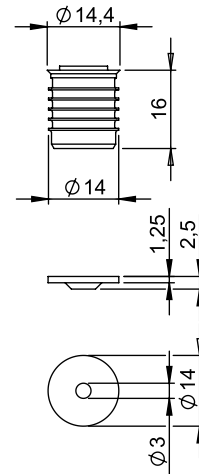


MAGNETIC CATCHES

MAGNETIC CATCH 273/FP - FORCE 3-4 KG



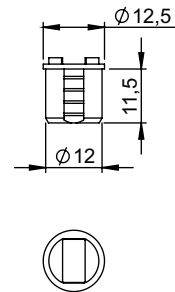
CODE	PACK	COLOR
273.0000.01	50	WHITE
273.0000.02	50	BROWN



MAGNETIC CATCH 2732/OG - FORCE 2-3 KG



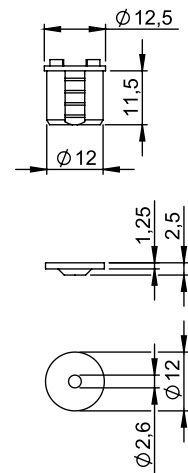
CODE	PACK	COLOR
2732.000.01	100	WHITE



MAGNETIC CATCH 2732/FP - FORCE 2-3 KG



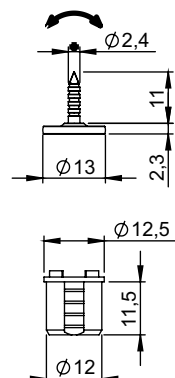
CODE	PACK	COLOR
2732.F00.01	100	WHITE



MAGNETIC CATCH 2732/PR.P - FORCE 2-3 KG

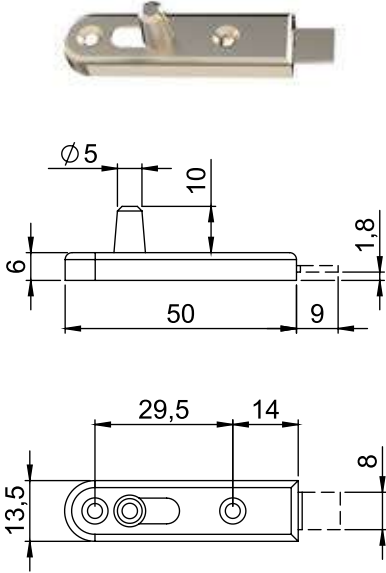


CODE	PACK	COLOR
2732.P00.01	200	WHITE

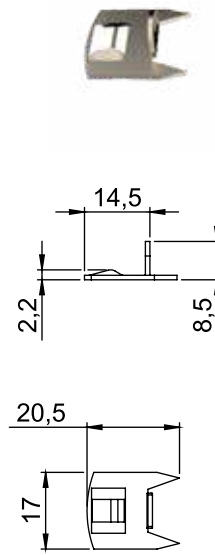


LATCHETS

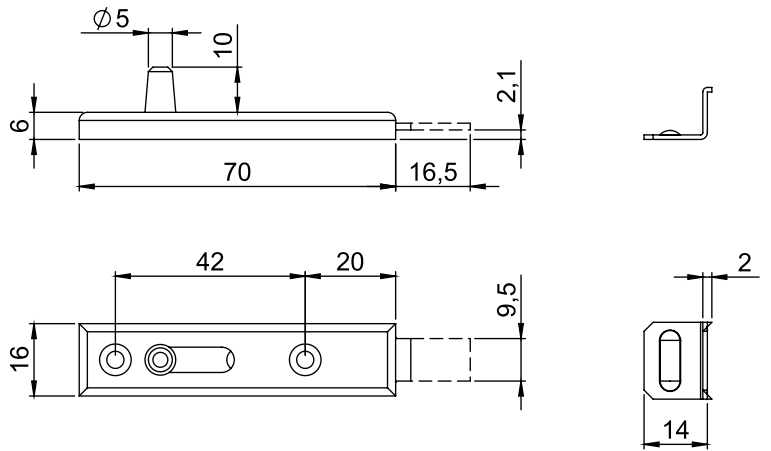
CODE	PACK	FINISH
116.BP00.50	250	NICKEL PL



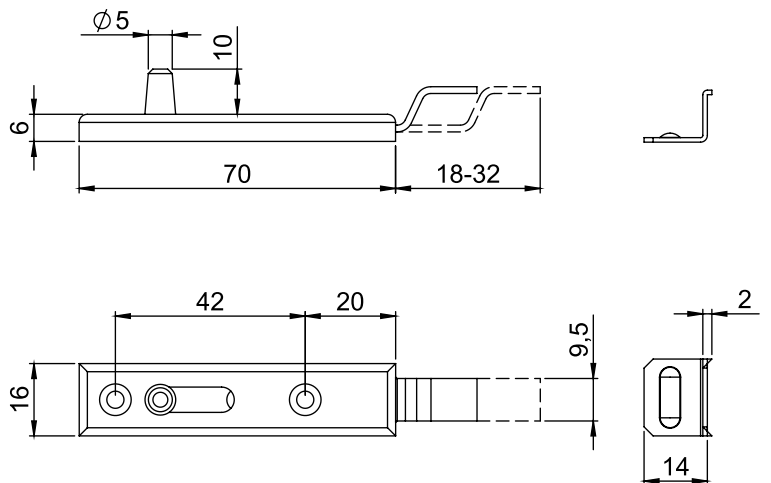
CODE	PACK	FINISH
116.P000.50	250	NICKEL PL



CODE	PACK	FINISH
114.0000.50	600	NICKEL PL



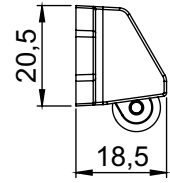
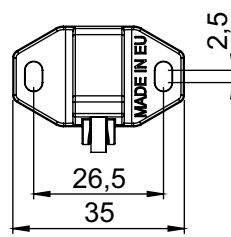
CODE	PACK	FINISH
115.0000.50	600	NICKEL PL



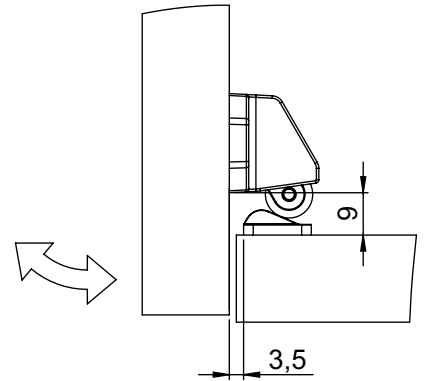
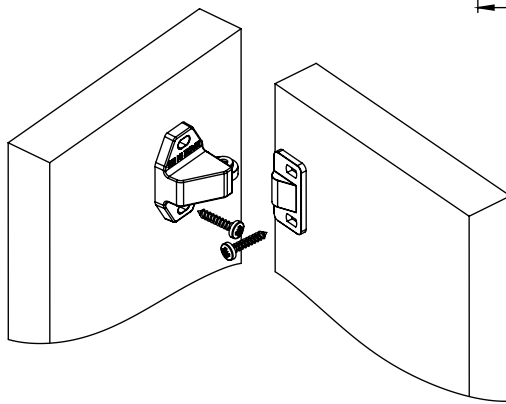
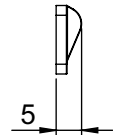
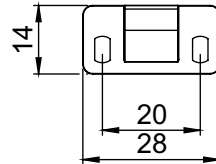
CATCHES WITH ROLLER



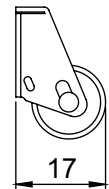
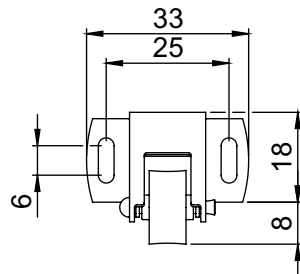
CODE	PACK	COLOR
243.A000.01	250	WHITE



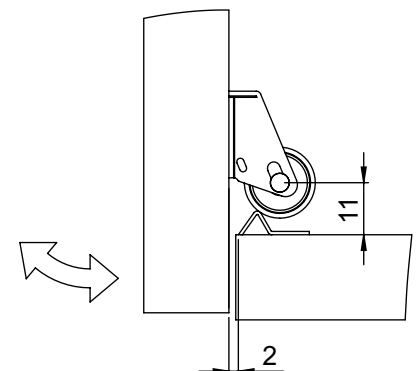
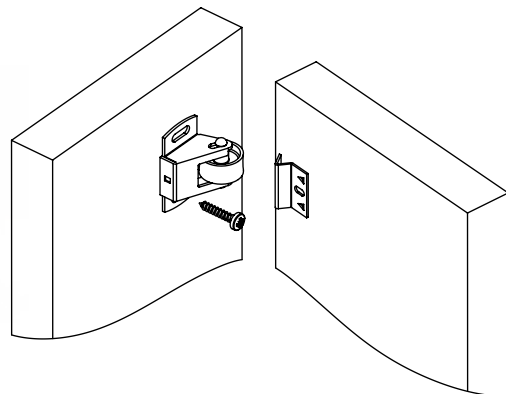
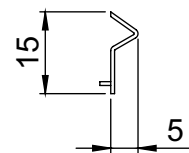
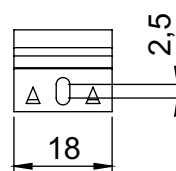
CODE	PACK	COLOR
243.B000.01	250	WHITE



CODE	PACK	FINISH
241.A000.01	250	NICKEL PL

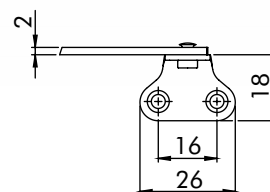
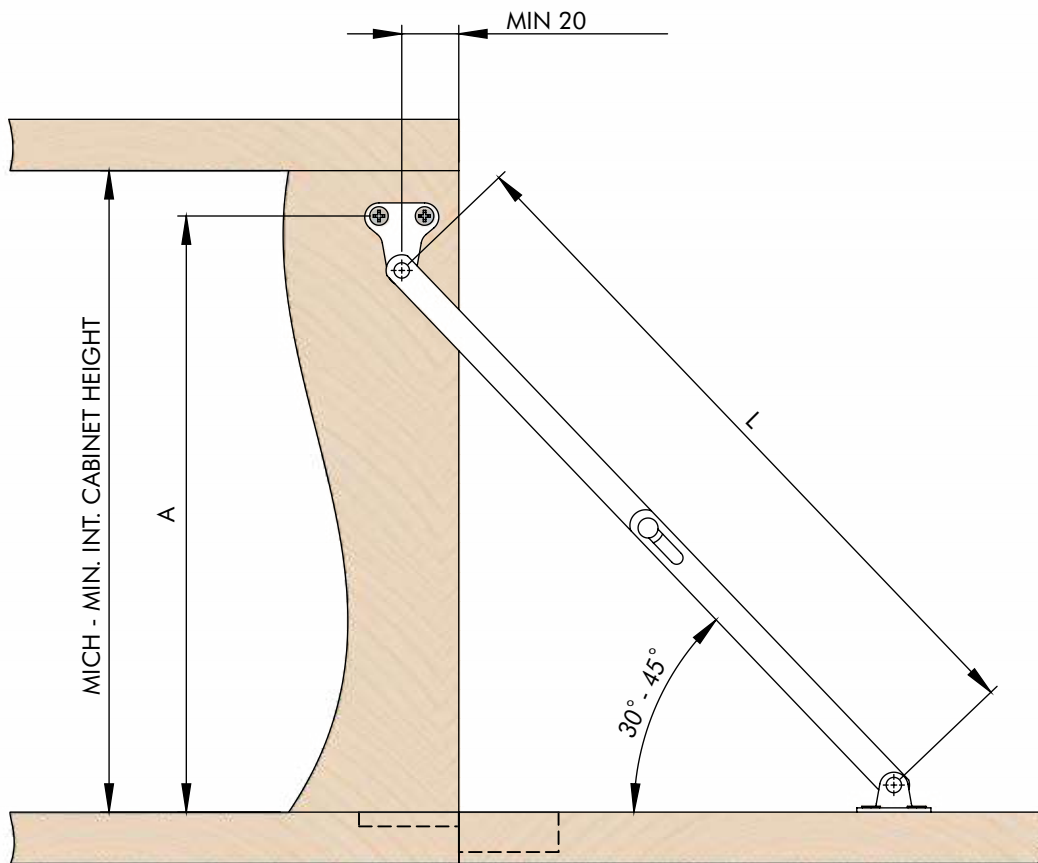
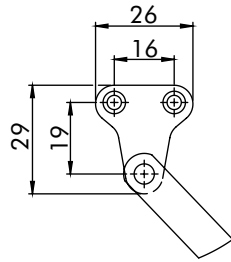


CODE	PACK	FINISH
241.B000.01	250	NICKEL PL



FOLDING ARM

CODE	L	A	MICH	PACK	FINISH
820.1500.50	150	125	135	200	NICKEL PL
820.2000.50	200	160	170	200	NICKEL PL
820.2500.50	250	190	200	200	NICKEL PL
820.3000.50	300	230	240	200	NICKEL PL



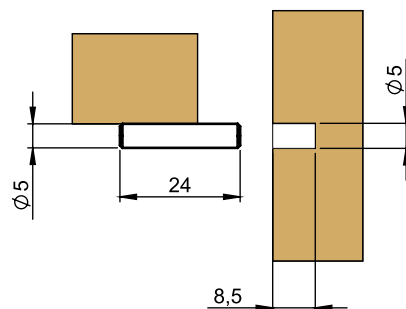
6. OTHER FITTINGS



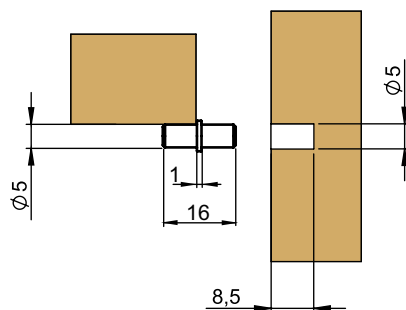
SHELF SUPPORTS



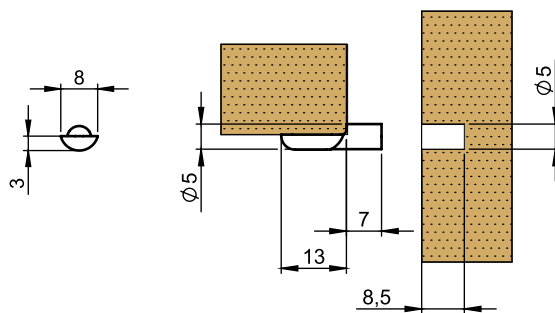
CODE	PACK	FINISH
135.0524.40	2500	ZINC PL



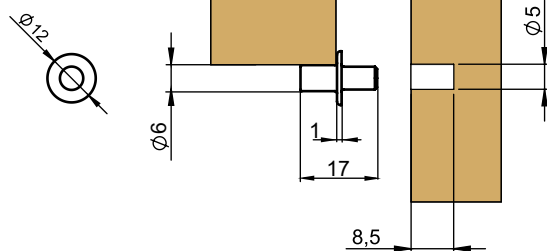
CODE	PACK	FINISH
136.0516.40	5000	ZINC PL



CODE	PACK	FINISH
133.0524.40	5000	ZINC PL



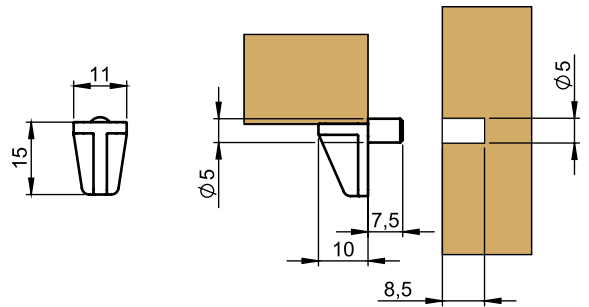
CODE	PACK	COLOR
334.4078.01	1000	WHITE
334.4078.02	1000	BROWN



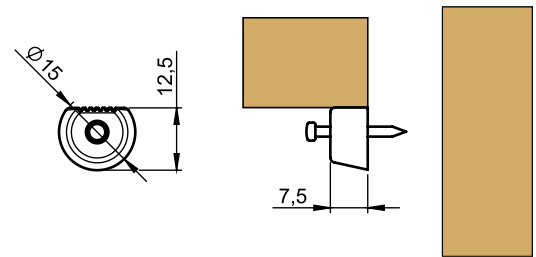
SHELF SUPPORTS



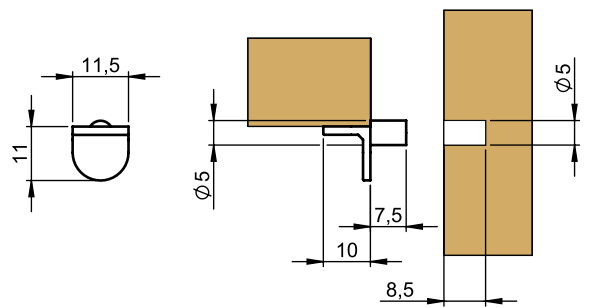
CODE	PACK	COLOR
130.0000.01	1000	WHITE
130.0000.02	1000	BROWN



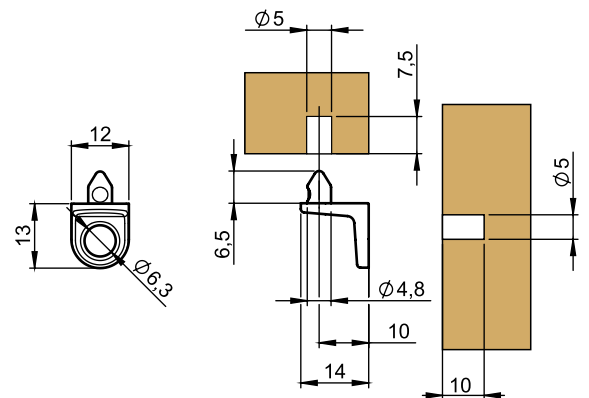
CODE	PACK	COLOR
331.4054.01	1000	WHITE
331.4054.02	1000	BROWN



CODE	PACK	FINISH
04.0087.50	2500	NICKEL PL



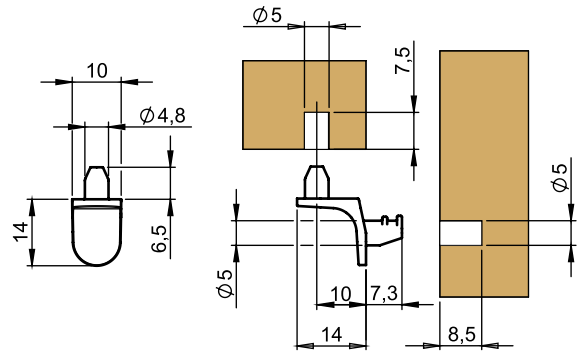
CODE	PACK	FINISH
RG04.00.50	2500	NICKEL PL



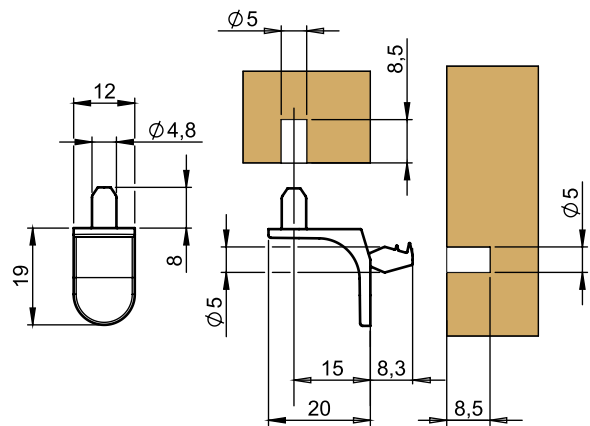
SHELF SUPPORTS



CODE	PACK	FINISH
RG01.00.50	5000	NICKEL PL



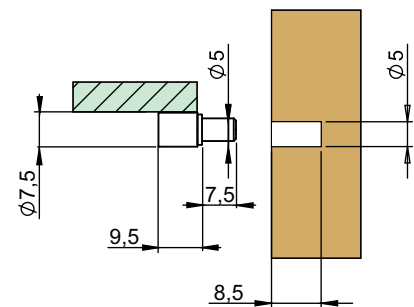
CODE	PACK	FINISH
336.3174.50	1000	NICKEL PL



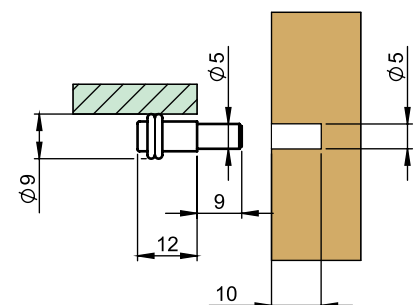
GLASS SHELF SUPPORTS



CODE	PACK	FINISH
136.GU00.05	1000	ZINC PL



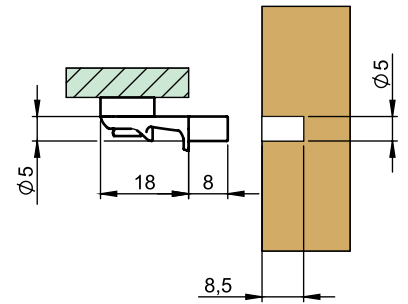
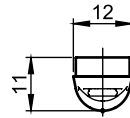
CODE	PACK	FINISH
RG10.00.50	1000	NICKEL PL



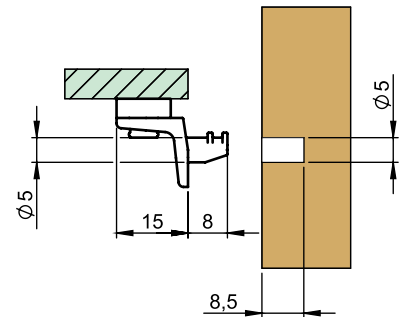
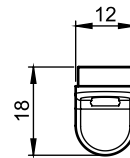
GLASS SHELF SUPPORTS



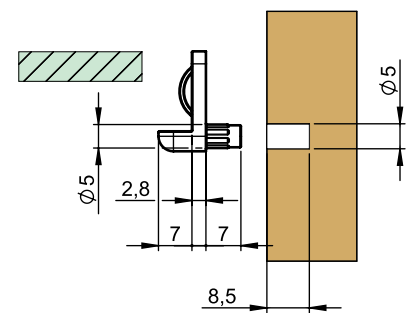
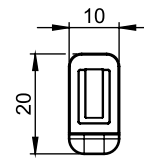
CODE	PACK	FINISH
134.0000.50	500	NICKEL PL



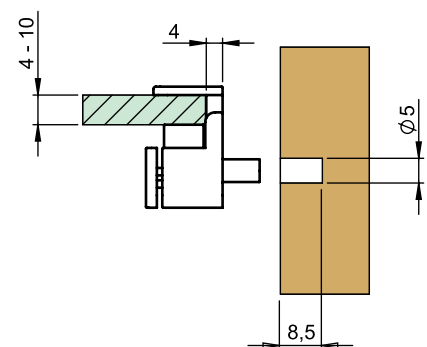
CODE	PACK	FINISH
RG06.00.50	500	NICKEL PL



CODE	PACK	COLOR
RG43.00.05	10000	TRANSP



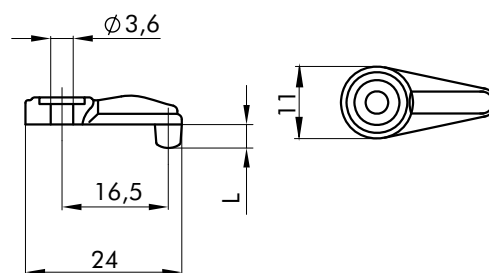
CODE	PACK	FINISH
1940.000.50	1000	NICKEL PL



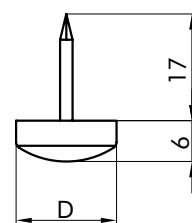
ACCESSORIES FOR GLASS AND GLIDES



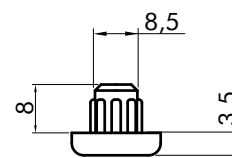
CODE	L	PACK	COLOR
359.4204.05	0,8	1000	TRANSP
359.4201.05	3,3	1000	TRANSP
359.4202.05	6	1000	TRANSP
359.4203.05	9,5	1000	TRANSP



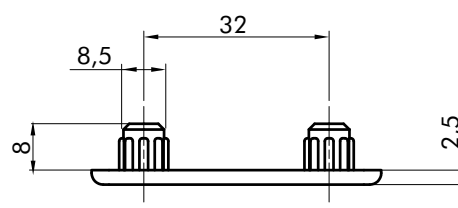
CODE	D	PACK	COLOR
162.1500.01	15	1000	WHITE
162.1500.02	15	1000	BROWN
162.2200.01	22	1000	WHITE
162.2200.02	22	1000	BROWN



CODE	PACK	COLOR
160.1000.01	2500	WHITE
160.1000.02	2500	BROWN



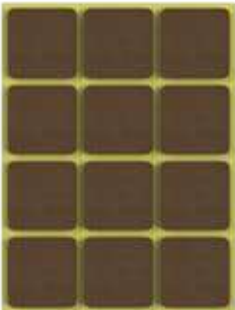
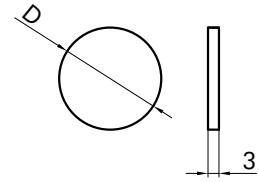
CODE	PACK	COLOR
160.2000.01	2500	WHITE
160.2000.02	2500	BROWN



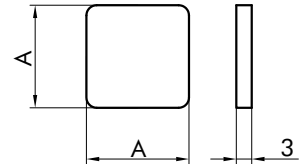
FELT PADS



CODE	D	PACK	COLOR
122.1400.02	14	1700	BROWN
122.1600.02	16	1500	BROWN
122.1800.02	18	1120	BROWN
122.2200.02	22	880	BROWN
122.2400.02	24	800	BROWN
122.2800.02	28	540	BROWN



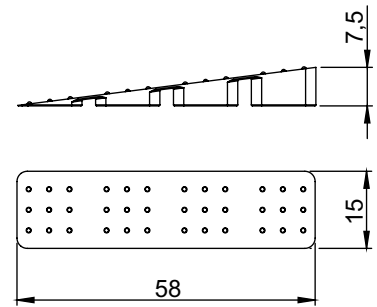
CODE	A	PACK	COLOR
123.2000.02	14	1200	BROWN
123.2500.02	25	800	BROWN
123.3000.02	30	480	BROWN
123.4000.02	40	240	BROWN
123.8000.02	80	100	BROWN



WEDGE



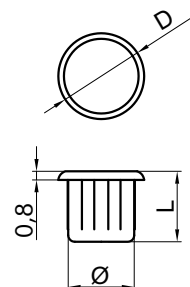
CODE	PACK	COLOR
156.0000.01	2000	WHITE
156.0000.02	2000	BROWN



COVER CAPS



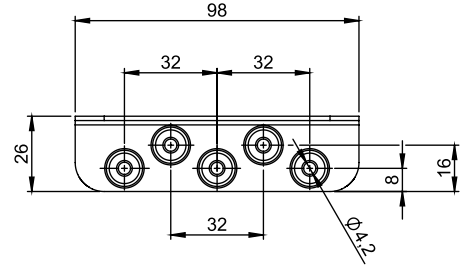
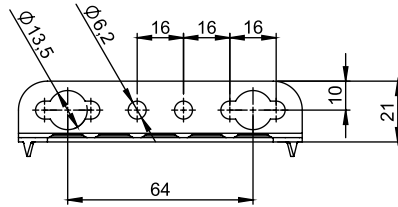
CODE	Ø	L	D	PACK	COLOR
1110.050.01	5	6	8	10000	WHITE
1110.080.01	8	7,5	10,5	10000	WHITE
1110.100.01	10	7,5	13	10000	WHITE



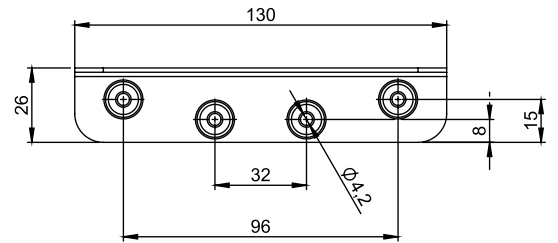
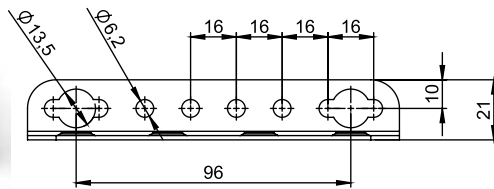
BED FITTINGS



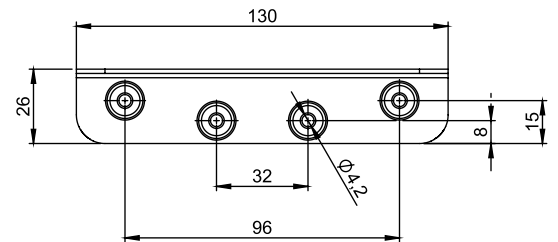
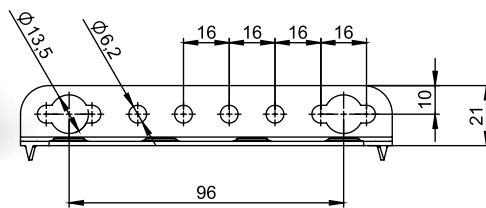
CODE	PACK	FINISH
371.1037.40	200	ZINC PL



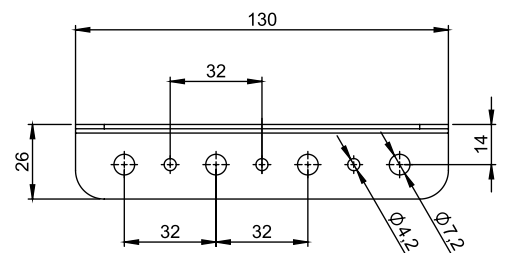
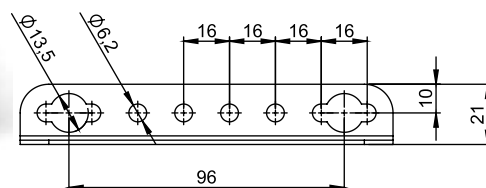
CODE	PACK	FINISH
170.1300.40	200	ZINC PL



CODE	PACK	FINISH
171.1300.40	200	ZINC PL



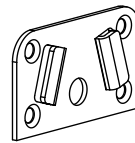
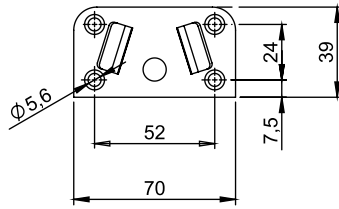
CODE	PACK	FINISH
371.1424.40	200	ZINC PL



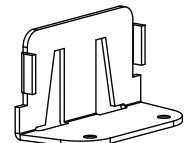
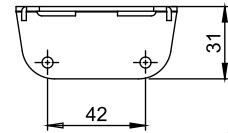
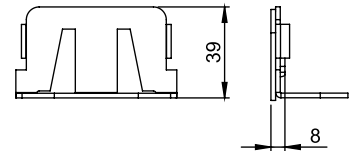
BED FITTINGS



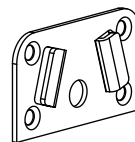
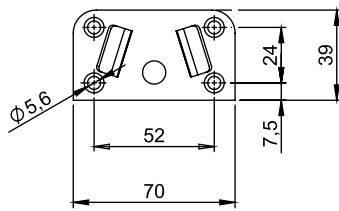
CODE	PACK	FINISH
3892.A00.30	200	YELLOW ZN



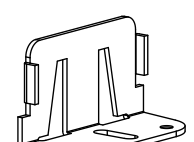
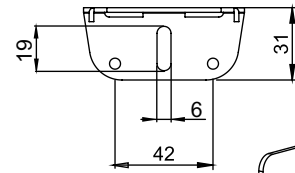
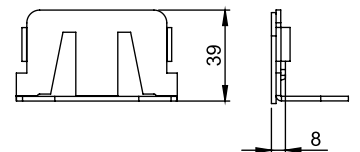
CODE	PACK	FINISH
3892.B00.30	200	YELLOW ZN



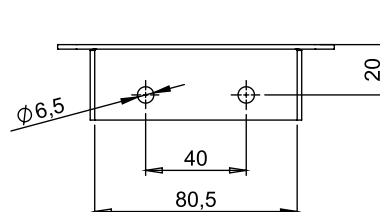
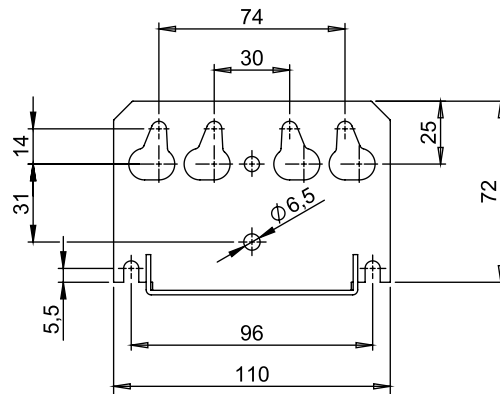
CODE	PACK	FINISH
3892.A00.30	200	YELLOW ZN



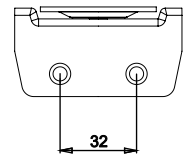
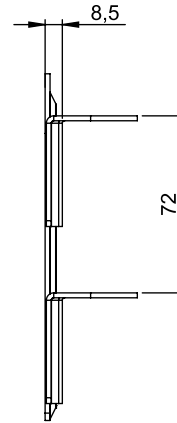
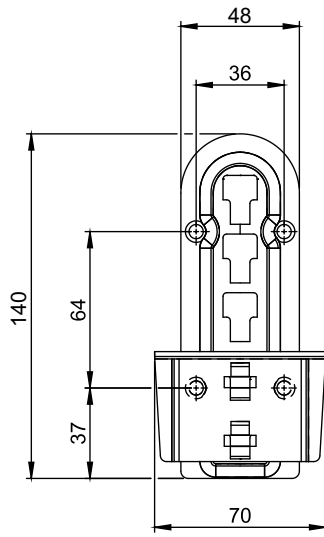
CODE	PACK	FINISH
3893.B00.30	200	YELLOW ZN



CODE	PACK	FINISH
176.0000.40	100	ZINC PL

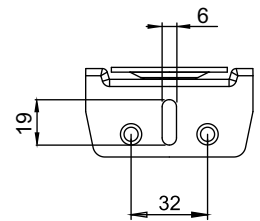
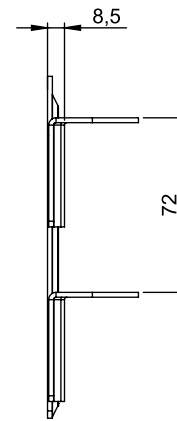
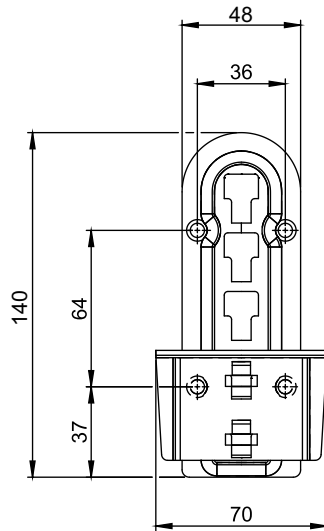
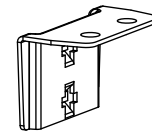
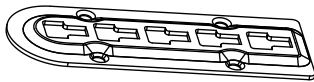


BED FITTINGS



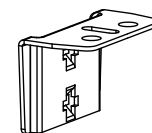
CODE	PACK	FINISH
3366.A00.30	200	YELLOW ZN

CODE	PACK	FINISH
3366.B00.30	200	YELLOW ZN



CODE	PACK	FINISH
3367.A00.40	200	ZINC PL

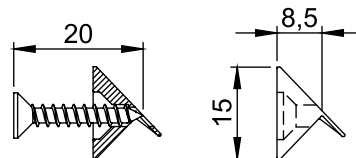
CODE	PACK	FINISH
3367.B00.40	200	ZINC PL



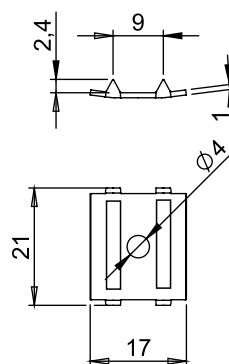
CONNECTORS FOR BACKS



CODE	PACK	COLOR
ES.1052.05	10000	TRANSP

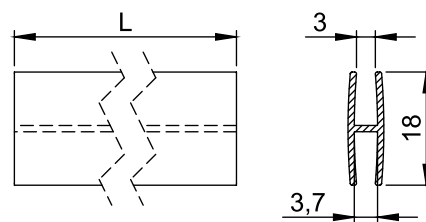


CODE	PACK	FINISH
437.0000.40	5000	ZINC PL



CODE	L	PACK	COLOR
202.2072.01	2072	100	WHITE

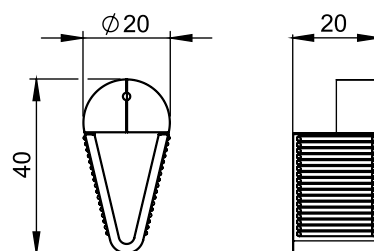
OTHER SIZES AND COLORS AS PER REQUEST



NAIL HOLDER TOOL



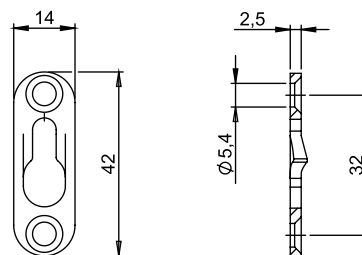
CODE	PACK	COLOR
4105.P22.03	3000	BLACK



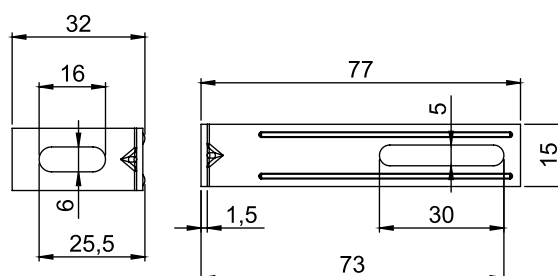
ANGLES



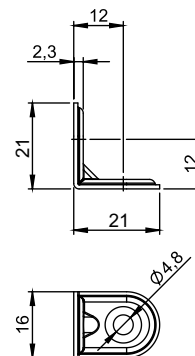
CODE	PACK	FINISH
161.4200.40	1000	ZINC PL



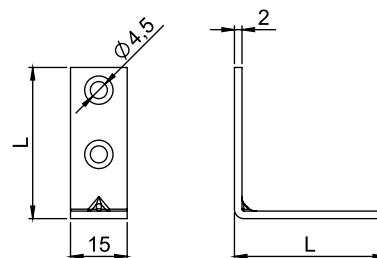
CODE	PACK	FINISH
7103.000.40	500	ZINC PL



CODE	PACK	FINISH
217.0017.40	3000	ZINC PL



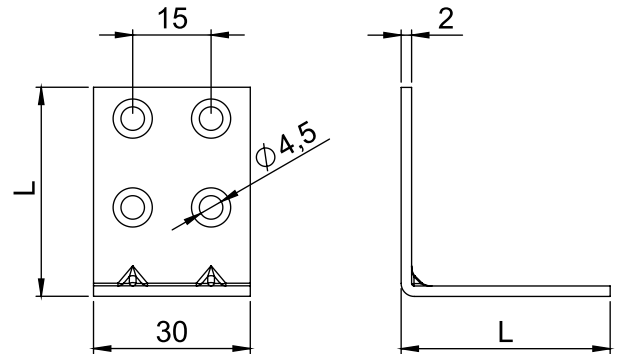
CODE	L	PACK	FINISH
221.0200.40	20	100	ZINC PL
221.0250.40	25	100	ZINC PL
221.0300.40	30	100	ZINC PL
221.0400.40	40	100	ZINC PL
221.0500.40	50	100	ZINC PL
221.0600.40	60	100	ZINC PL
221.0700.40	70	100	ZINC PL
221.0800.40	80	100	ZINC PL
221.0900.40	90	100	ZINC PL
221.1000.40	100	100	ZINC PL



ANGLES AND PLATES



CODE	L	PACK	FINISH
223.0200.40	20	50	ZINC PL
223.0300.40	30	50	ZINC PL
223.0400.40	40	50	ZINC PL
223.0500.40	50	50	ZINC PL
223.0600.40	60	50	ZINC PL
223.0800.40	80	50	ZINC PL
223.1000.40	100	50	ZINC PL

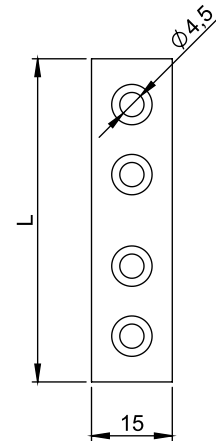


PLATES



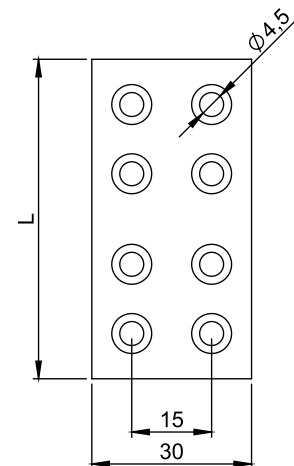
CODE	L	PACK	FINISH
224.0400.40	40	100	ZINC PL
224.0500.40	50	100	ZINC PL
224.0600.40	60	100	ZINC PL
224.0800.40	80	100	ZINC PL
224.1000.40	100	100	ZINC PL
224.1200.40	120	100	ZINC PL
224.1400.40	140	100	ZINC PL
224.1600.40	160	100	ZINC PL
224.1800.40	180	100	ZINC PL

THICKNESS 2 MM



CODE	L	PACK	FINISH
226.0400.40	40	50	ZINC PL
226.0600.40	60	50	ZINC PL
226.0800.40	80	50	ZINC PL
226.1000.40	100	50	ZINC PL
226.1200.40	120	50	ZINC PL
226.1600.40	160	50	ZINC PL

THICKNESS 2 MM

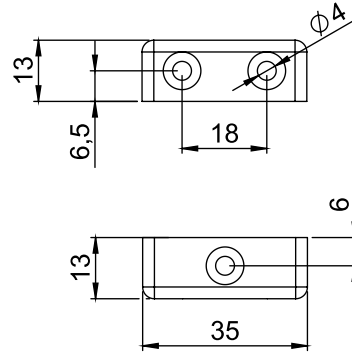


CONNECTORS AND SLIDE HANGERS

CORNER CONNECTOR



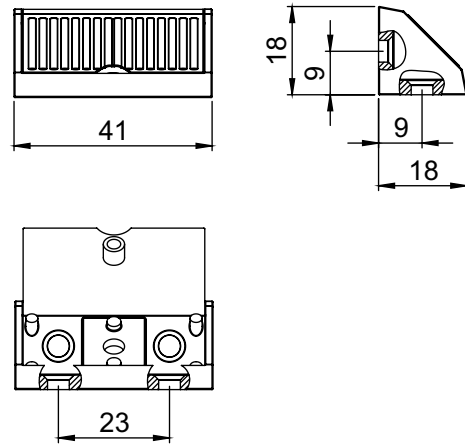
CODE	PACK	COLOR
4200.000.01	2500	WHITE



CORNER CONNECTOR WITH COVER CAP

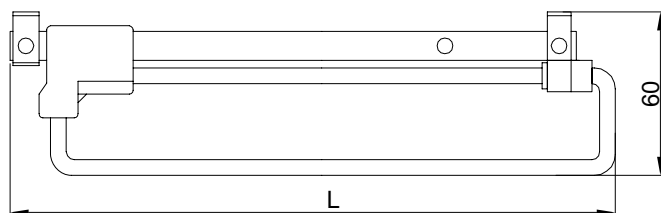


CODE	PACK	COLOR
3316.000.01	2000	WHITE
3316.000.02	2000	BROWN



SLIDE HANGER

CODE	L	PACK	FINISH
725.2500.50	250	20	NICKEL PL
725.3000.50	300	20	NICKEL PL
725.3500.50	350	20	NICKEL PL
725.4000.50	400	20	NICKEL PL
725.4500.50	450	20	NICKEL PL

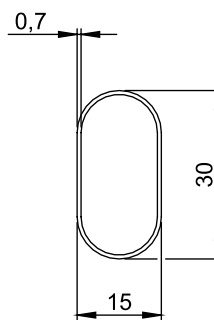


OVAL TUBES 30x15 AND SUPPORTS



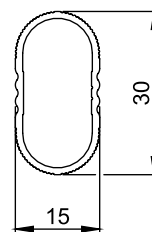
CODE	L	PACK	FINISH
139.3000.60	3000	10	CHROME PL

MATERIAL: STEEL

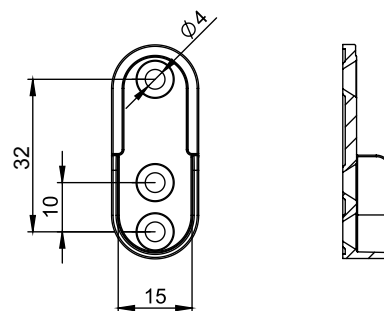


CODE	L	PACK	FINISH
139.A300.AN	3000	10	SILVER AN

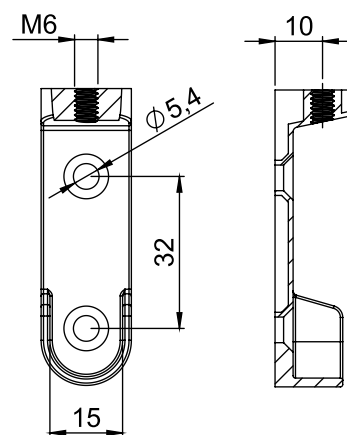
MATERIAL: ALUMINIUM



CODE	PACK	FINISH
142.1500.50	1000	NICKEL PL



CODE	PACK	FINISH
143.1500.50	500	NICKEL PL

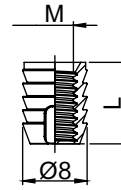


BUSHES AND NUTS

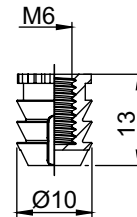
PLASTIC SOCKETS



CODE	M	L	PACK	COLOR
278.08M4.05	M4	8	25000	NATURAL
278.11M4.05	M4	11	25000	NATURAL
278.11M6.05	M6	11	25000	NATURAL



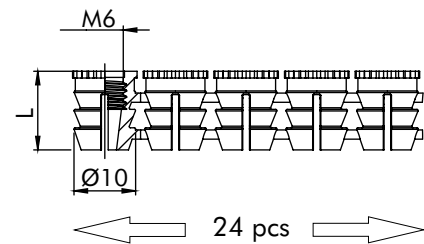
CODE	PACK	COLOR
277.13M6.05	15000	NATURAL



PLASTIC SOCKETS IN STRIP



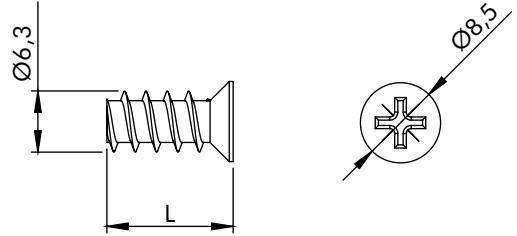
CODE	L	PACK	COLOR
279.10M6.05	10	10000	NATURAL
279.13M6.05	13	10000	NATURAL



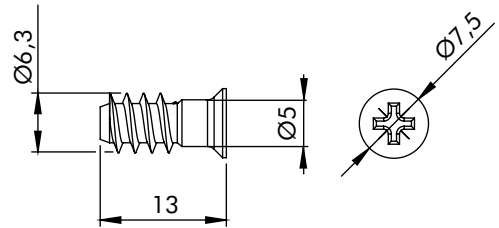
EURO SCREWS



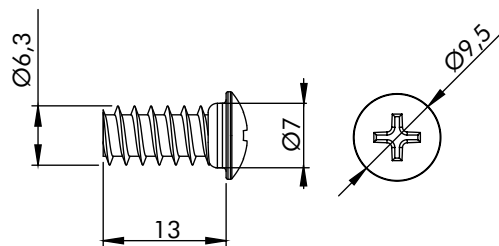
CODE	L	PACK	FINISH
326.6309.40	9	8000	ZINC PL
326.6311.40	11	6000	ZINC PL
326.6313.40	13	10000	ZINC PL
326.6319.40	19	4000	ZINC PL
326.6324.40	24	3000	ZINC PL



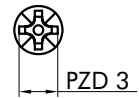
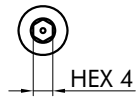
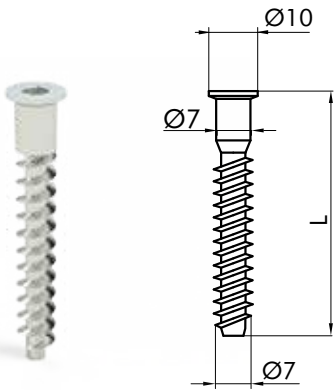
CODE	PACK	FINISH
322.6313.50	12000	NICKEL PL



CODE	PACK	FINISH
325.6313.40	8500	ZINC PL

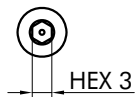
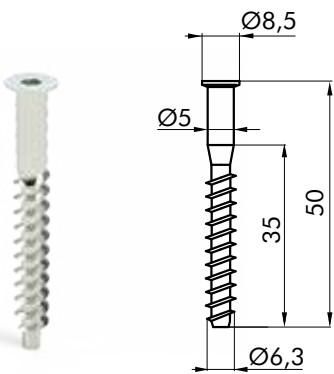


CONFIRMAT SCREWS

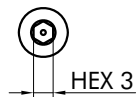
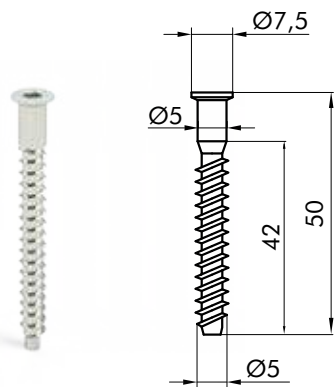


CODE	L	PACK	FINISH
127.1500.40	50	2000	ZINC PL
127.1700.40	70	1000	ZINC PL

CODE	PACK	FINISH
127.2500.40	2000	ZINC PL

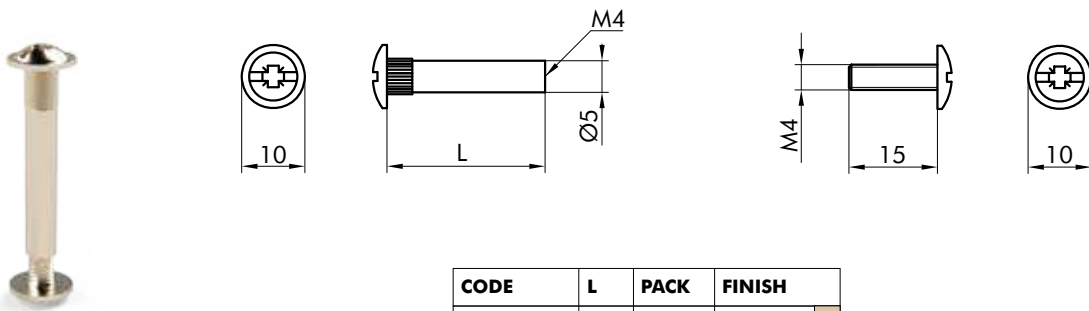


CODE	PACK	FINISH
470.1500.40	2500	ZINC PL

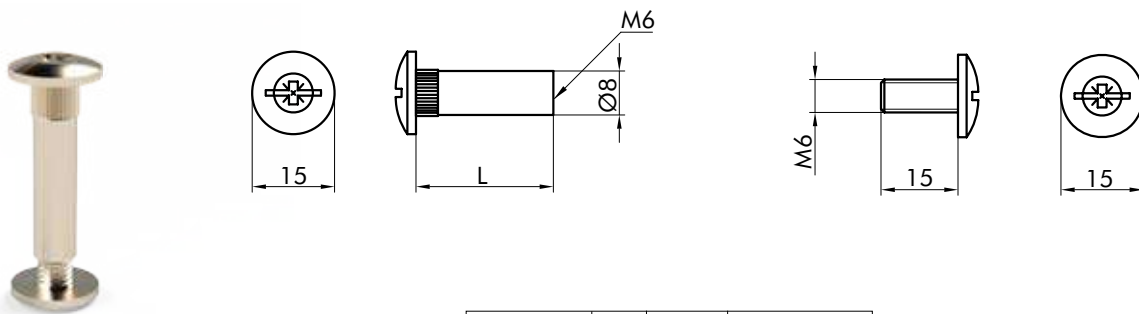


CODE	PACK	FINISH
553.1500.40	2000	ZINC PL

CONNECTING NUTS AND SCREWS

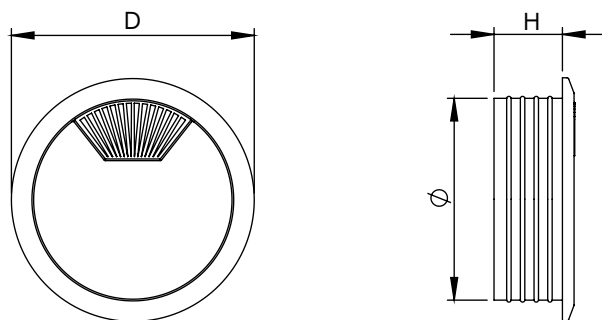


CODE	L	PACK	FINISH
565.27KP.50	27	2000	NICKEL PL
565.30KP.50	30	2000	NICKEL PL



CODE	L	PACK	FINISH
555.29KP.50	29	1000	NICKEL PL

CABLE GLANDS

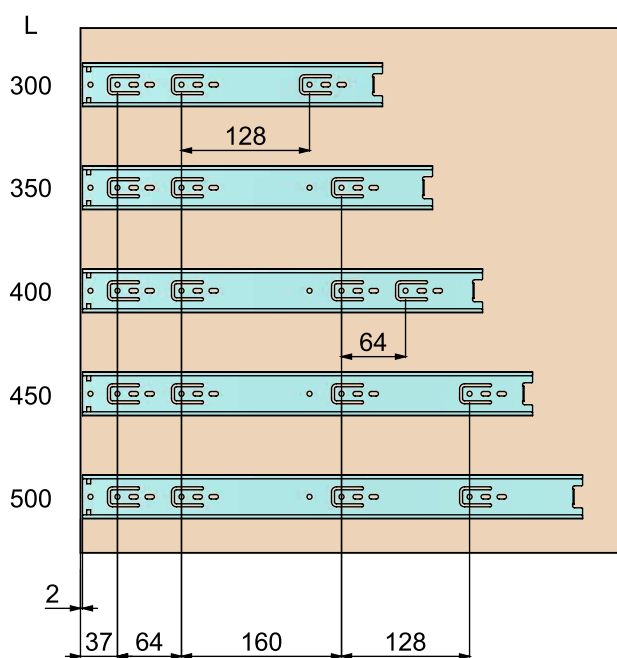
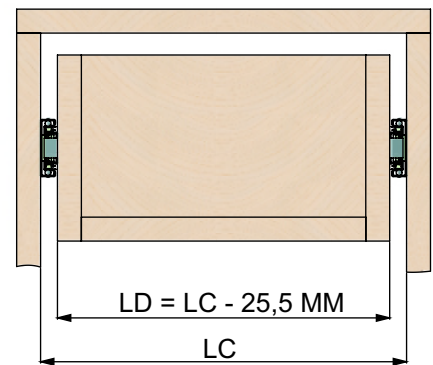
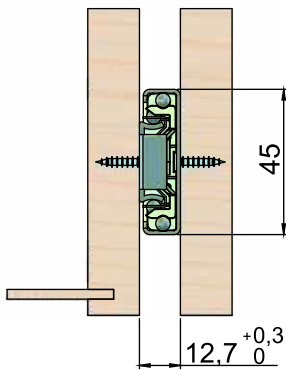


CODE	Ø	D	H	PACK	COLOR
1070.600.01	60	72	20	100	WHITE
1070.600.03	60	72	20	100	BLACK
1070.600.06	60	72	20	100	GRAY
1070.800.01	80	94	22	100	WHITE
1070.800.03	80	94	22	100	BLACK
1070.800.06	80	94	22	100	GRAY

BALL BEARING SLIDES - 45 MM

CODE	L	PACK	FINISH
1080.300.40	300	15	ZINC PL
1080.350.40	350	15	ZINC PL
1080.400.40	400	15	ZINC PL
1080.450.40	450	15	ZINC PL
1080.500.40	500	15	ZINC PL

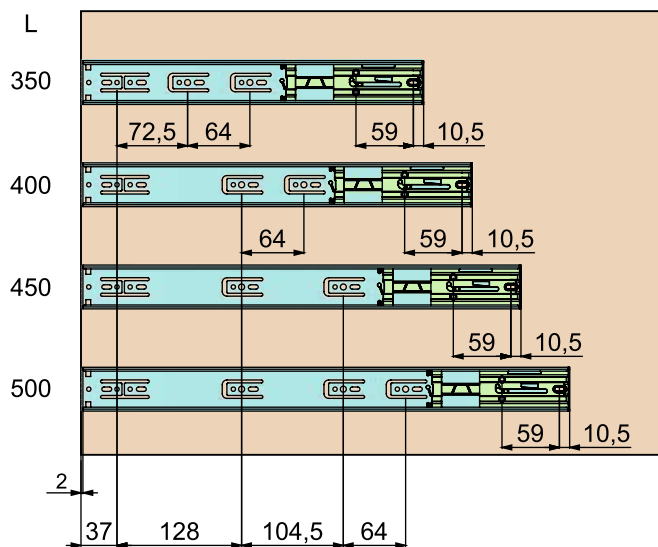
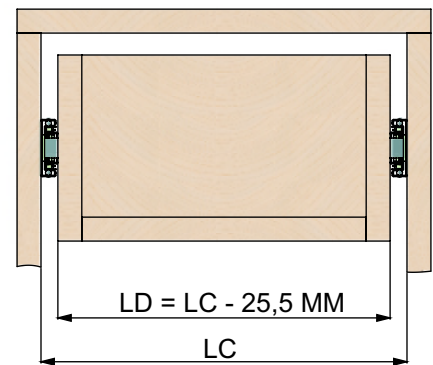
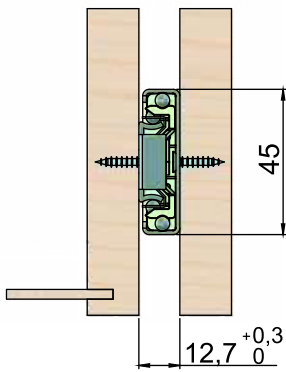
MAX LOAD 30 KG



BALL BEARING SLIDES - 45 MM SOFT CLOSING

CODE	L	PACK	FINISH
1081.350.40	350	15	ZINC PL
1081.400.40	400	15	ZINC PL
1081.450.40	450	15	ZINC PL
1081.500.40	500	15	ZINC PL

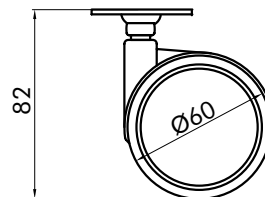
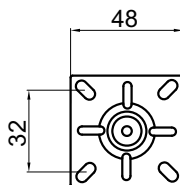
MAX LOAD 30 KG



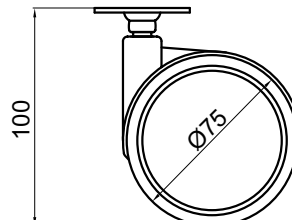
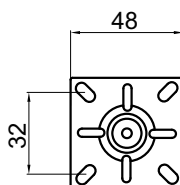
FURNITURE CASTORS SIRIO



CODE	LOAD	PACK	COLOR
1180.062A.96	40 KG	150	RAL 9006



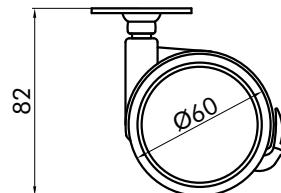
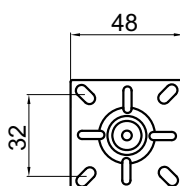
CODE	LOAD	PACK	COLOR
1180.072A.96	50 KG	100	RAL 9006



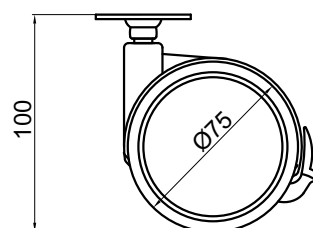
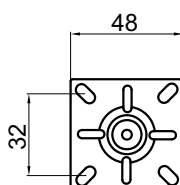
FURNITURE CASTORS SIRIO BRAKE



CODE	LOAD	PACK	COLOR
1181.062A.96	40 KG	150	RAL 9006



CODE	LOAD	PACK	COLOR
1181.072A.96	50 KG	100	RAL 9006



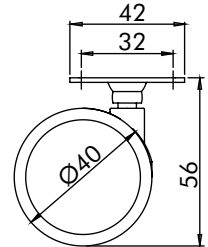
FURNITURE CASTORS

TWIN WHEEL CASTOR 40 MM RUBBER - PLATE



RUBBER

CODE	LOAD	PACK	COLOR
1183.402S.03	20 KG	200	BLACK

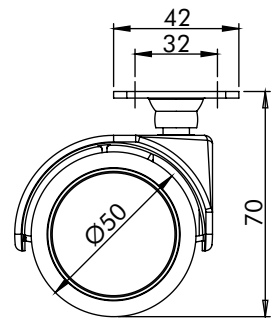


TWIN WHEEL CASTOR 50 MM RUBBER - PLATE



RUBBER

CODE	LOAD	PACK	COLOR
1183.502S.03	30 KG	200	BLACK

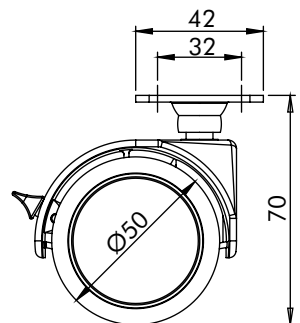


TWIN WHEEL CASTOR 50 MM BRAKE - RUBBER - PLATE



RUBBER

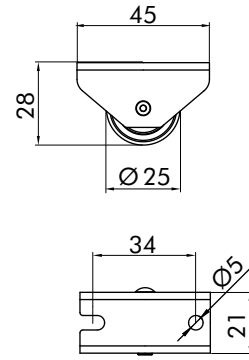
CODE	LOAD	PACK	COLOR
1184.502S.03	30 KG	200	BLACK



BOX CASTORS

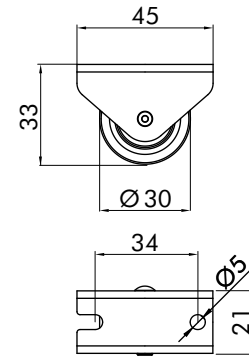


CODE	LOAD	PACK	COLOR
1189.25P.40	30 KG	200	BLACK



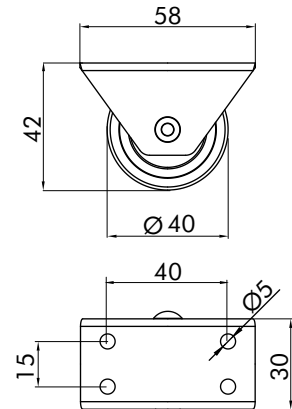
RUBBER

CODE	LOAD	PACK	COLOR
1189.30G.40	30 KG	200	GRAY



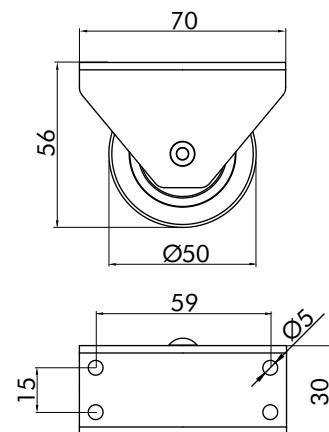
RUBBER

CODE	LOAD	PACK	COLOR
1189.40G.40	50 KG	100	GRAY



RUBBER

CODE	LOAD	PACK	COLOR
1189.50G.40	50 KG	100	GRAY

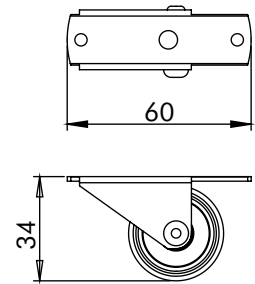


FURNITURE CASTORS

BOX CASTOR STRAIGHT FORK



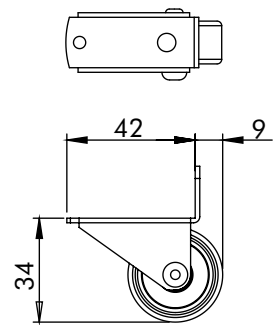
CODE	LOAD	PACK	COLOR
189.1000.40	30 KG	200	BLACK



BOX CASTOR FOLDED FORK



CODE	LOAD	PACK	COLOR
189.2000.40	30 KG	200	BLACK



KNIFE



CODE	PACK	COLOR
296.0000.01	200	WHITE

INDEX



INDEX

ARTICLE	PAGE
04.0087.50	67
04.0370.03	44
04.0371.03	44
107.N350.40	57
107.N500.40	57
114.0000.50	61
115.0000.50	61
116.BP00.50	61
116.P000.50	61
122.1400.02	71
122.1600.02	71
122.1800.02	71
122.2200.02	71
122.2400.02	71
122.2800.02	71
123.2000.02	71
123.2500.02	71
123.3000.02	71
123.4000.02	71
123.8000.02	71
125.3500.03	52
127.1500.40	82
127.1700.40	82
127.2500.40	82
130.0000.01	67
130.0000.02	67
133.0524.40	66
134.0000.50	69
135.0524.40	66
136.0516.40	66
136.GU00.05	68
139.3000.60	79
139.A300.AN	79
142.1500.50	79
143.1500.50	79
145.0000.01	50
145.0000.02	50
145.0000.03	50
145.0000.04	50
145.0000.06	50
145.0000.15	50
145.0099.01	50
145.0099.02	50
145.0099.03	50
145.0099.04	50

ARTICLE	PAGE
145.0099.06	50
145.0099.15	50
145.E099.01	52
145.E099.02	52
145.E099.03	52
145.E099.04	52
145.E099.06	52
145.E099.15	52
146.L000.01	46
146.L000.02	46
146.L000.96	46
146.R000.01	46
146.R000.02	46
146.R000.96	46
146.UNIL.01	46
146.UNIL.02	46
146.UNIL.96	46
146.UNIR.01	46
146.UNIR.02	46
146.UNIR.96	46
147.20L0.01	47
147.20L0.02	47
147.20L0.96	47
147.20R0.01	47
147.20R0.02	47
147.20R0.96	47
147.L000.01	47
147.L000.02	47
147.L000.96	47
147.R000.01	47
147.R000.02	47
147.R000.96	47
156.0000.01	71
156.0000.02	71
160.1000.01	70
160.1000.02	70
160.2000.01	70
160.2000.02	70
161.4200.40	76
162.1500.01	70
162.1500.02	70
162.2200.01	70
162.2200.02	70
170.1300.40	72
171.1300.40	72

ARTICLE	PAGE
176.0000.40	73
189.1000.40	89
189.2000.40	89
190.3080.40	36
190.3100.40	36
190.5100.40	36
191.3100.40	36
191.5100.40	36
194.0820.03	36
194.0820.06	36
202.2072.01	75
217.0017.40	76
221.0200.40	76
221.0250.40	76
221.0300.40	76
221.0400.40	76
221.0500.40	76
221.0600.40	76
221.0700.40	76
221.0800.40	76
221.0900.40	76
221.1000.40	76
223.0200.40	77
223.0300.40	77
223.0400.40	77
223.0500.40	77
223.0600.40	77
223.0800.40	77
223.1000.40	77
224.0400.40	77
224.0500.40	77
224.0600.40	77
224.0800.40	77
224.1000.40	77
224.1200.40	77
224.1400.40	77
224.1600.40	77
224.1800.40	77
226.0400.40	77
226.0600.40	77
226.0800.40	77
226.1000.40	77
226.1200.40	77
226.1600.40	77
241.A000.01	62

ARTICLE	PAGE
241.B000.01	62
243.A000.01	62
243.B000.01	62
258.1200.40	49
258.4800.40	49
258.6000.40	49
264.0000.01	57
264.0000.02	57
271.0500.01	54
271.0500.02	54
271.0500.03	54
271.1050.01	54
271.1050.02	54
271.1050.03	54
271.2050.01	54
271.2050.02	54
271.2050.03	54
272.0500.01	55
272.0500.02	55
272.0500.03	55
272.2050.01	55
272.2050.02	55
272.2050.03	55
273.0000.01	60
273.0000.02	60
273VS.00.01	59
273VS.00.02	59
273VS.00.03	59
274.0050.01	55
274.0050.02	55
274.PR00.01	57
274.PR00.02	57
275.0050.01	55
275.0050.02	55
277.13M6.05	80
278.08M4.05	80
278.11 M4.05	80
278.11 M6.05	80
279.10M6.05	80
279.13M6.05	80
292.0000.01	58
292.0000.02	58
293.0000.01	58
293.0000.02	58
296.0000.01	89

INDEX

ARTICLE	PAGE
300.0615.40	36
300.0620.40	36
300.0822.40	36
300.1025.40	36
307.3500.03	39
307.4000.03	39
307.5000.03	39
310.1700.03	39
310.2700.03	39
310.4400.03	39
322.6313.50	81
325.6313.40	81
326.6309.40	81
326.6311.40	81
326.6313.40	81
326.6319.40	81
326.6324.40	81
331.4054.01	67
331.4054.02	67
334.4078.01	66
334.4078.02	66
336.3174.50	68
345.9115.01	51
345.9115.02	51
345.9115.03	51
345.9115.04	51
345.9115.06	51
345.9115.15	51
345.9504.01	51
345.9504.02	51
345.9504.03	51
345.9504.04	51
345.9504.06	51
345.9504.15	51
359.4201.05	70
359.4202.05	70
359.4203.05	70
359.4204.05	70
366.0000.01	14
366.0000.02	14
366.0000.03	14
366.0000.04	14
366.0000.06	14
368.0000.01	16
368.0000.02	16

ARTICLE	PAGE
368.0000.03	16
368.0000.04	16
368.0000.06	16
369.0000.01	14
369.0000.02	14
369.0000.03	14
369.0000.04	14
369.0000.06	14
370.XXXX.01	14
370.XXXX.02	14
370.XXXX.03	14
370.XXXX.04	14
370.XXXX.06	14
371.1037.40	72
371.1424.40	72
421.0800.03	40
421.1000.03	40
421.1200.03	40
421.1500.03	40
423.10VI.03	42
423.20UT.03	42
424.0000.03	42
430.0000.03	40
431.EX16.03	41
432.EX10.03	41
433.EX15.03	41
434.0000.03	41
437.0000.40	75
441.0800.03	40
441.1000.03	40
441.1200.03	40
441.1500.03	40
470.1500.40	82
553.1500.40	82
555.29KP.50	83
565.27KP.50	83
565.30KP.50	83
566.0200.40	18
578.1035.40	43
578.3500.01	43
579.1032.03	43
579.2500.01	43
585.5463.40	48
586.1056.07	48
604.0630.01	36

ARTICLE	PAGE
604.0630.03	36
661.1570.01	32
661.1570.02	32
661.1870.01	32
661.1870.02	32
661.2170.01	32
661.2170.02	32
661.2340.01	32
661.2340.02	32
662.1850.02	33
662.2050.02	33
662.2250.01	33
662.2250.02	33
662.2250.03	33
725.2500.50	78
725.3000.50	78
725.3500.50	78
725.4000.50	78
725.4500.50	78
801.2000.40	48
801.3000.40	48
820.1500.50	63
820.2000.50	63
820.2500.50	63
820.3000.50	63
880.15A0.06	34
880.40A0.06	34
880.60A0.06	34
944.M010.01	9
944.M010.06	9
944.M010.76	9
944.M020.01	9
944.M020.06	9
944.M020.76	9
944.R010.01	8
944.R010.06	8
944.R010.76	8
944.R020.01	8
944.R020.06	8
944.R020.76	8
962.CS00.01	10
962.CS00.06	10
962.CS00.76	10
962.EU00.01	10
962.EU00.06	10

ARTICLE	PAGE
962.EU00.76	10
971.AP00.ST	12
971.PR00.50	12
971.SF00.50	12
1070.600.01	83
1070.600.03	83
1070.600.06	83
1070.800.01	83
1070.800.03	83
1070.800.06	83
1080.300.40	84
1080.350.40	84
1080.400.40	84
1080.450.40	84
1080.500.40	84
1081.350.40	85
1081.400.40	85
1081.450.40	85
1081.500.40	85
1110.050.01	71
1110.080.01	71
1110.100.01	71
1180.062A.96	86
1180.072A.96	86
1181.062A.96	86
1181.072A.96	86
1183.402S.03	87
1183.502S.03	87
1184.502S.03	87
1189.25P.40	88
1189.30G.40	88
1189.40G.40	88
1189.50G.40	88
1940.000.50	69
2320.000.01	56
2320.000.02	56
2730.000.01	59
2730.000.02	59
2730.000.96	59
2730.Z32.01	59
2730.Z32.02	59
2732.000.01	60
2732.F00.01	60
2732.P00.01	60
2761.000.01	56

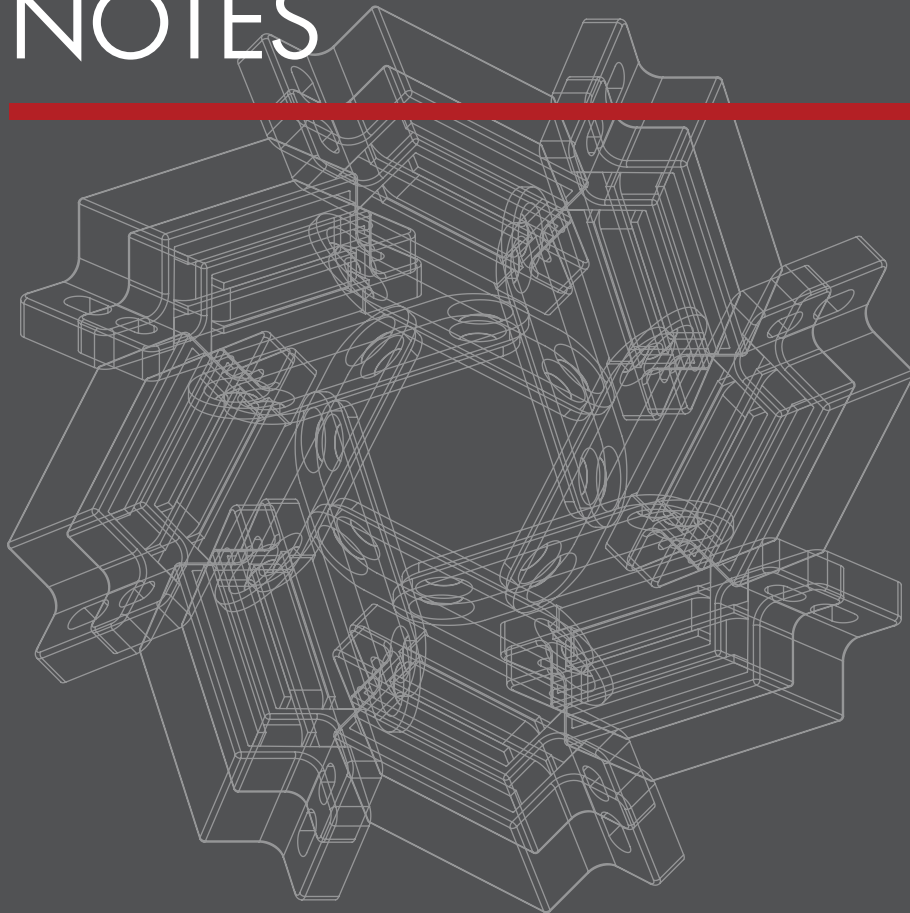
INDEX

ARTICLE	PAGE
2761.000.02	56
3316.000.02	78
3366.A00.30	74
3366.B00.30	74
3367.A00.40	74
3367.B00.40	74
3892.A00.30	73
3892.B00.30	73
3893.B00.30	73
4105.P22.03	75
4200.000.01	78
7103.000.40	76
ES.1052.05	75
PR1417.F622	37
PR1422.F102	37
PR1422.F822	37
PR1730.F822	37
PR1740.F822	37
PR1825.E822	37
PR1830.E822	37
PR1830.ES22	37
PR1840.E122	37
PR1840.E822	37
PR2125.E822	38
PR2125.F622	38
PR2130.E822	38
PR2135.E822	38
PR2225.E822	38
PR2230.E822	38
PR2235.E822	38
PR2240.E822	38
PR2340.2203	39
PR2618.M603	38
PR2619.M603	38
PR2625.M803	38
PR2628.M803	38
PR2630.M803	38
PR2701.M803	38
R20.0000.96	39
R25.0500.96	44
R25.0650.96	44
RAM.A21	26
RAM.A28	30
RAM.A31	27
RAM.A38	31

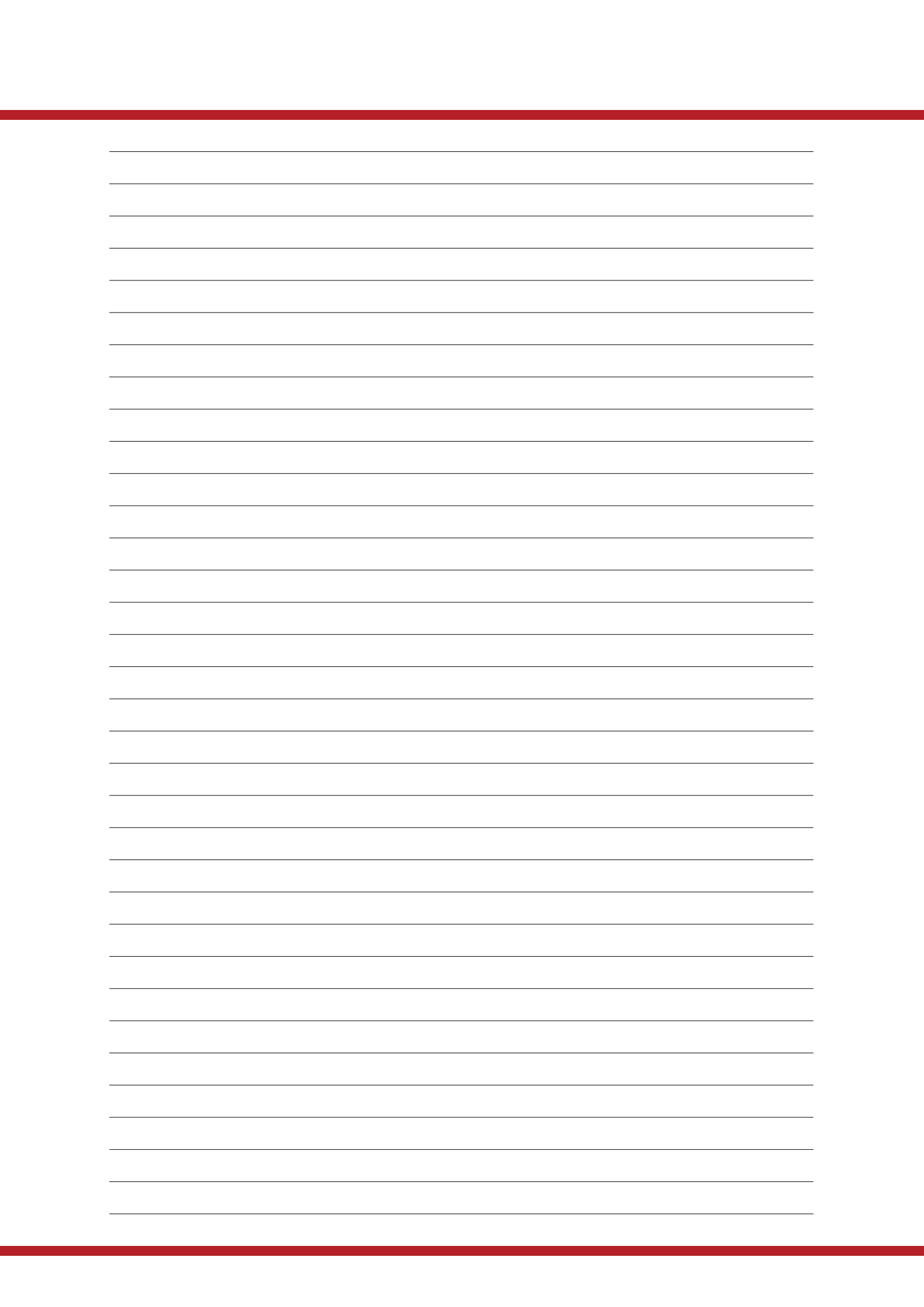
ARTICLE	PAGE
RAM.BXXXX.00	26
RAM.CXXXX.00	26
RG01.00.50	68
RG04.00.50	67
RG06.00.50	69
RG10.00.50	68
RG43.00.05	69
SET.BXXXX.01	22
SET.BXXXX.02	22
SET.BXXXX.03	22
SET.BXXXX.06	22
SET.CXXXX.AN	22
SET.CXXXX.TM	22
SET.DXXXX.AN	22
SET.KC1.50	22
SET.KC1.85	22
SET.S01.01	22
SET.S01.03	22
SET.Z01.01	22
SET.Z01.03	22
SLX.BXXXX.01	18
SLX.BXXXX.02	18
SLX.BXXXX.03	18
SLX.BXXXX.06	18
SLX.CXXXX.AN	18
SLX.DXXXX.AN	20
SLX.EXXXX.06	20
SLX.K01.03	18
SLX.K01.06	18
SLX.KC1.03	18
SLX.KC1.06	18
SLX.KZ1.50	18
SLX.S01.06	18
SLX.S02.06	18
SLX.Z01.03	18
SLX.Z01.06	18

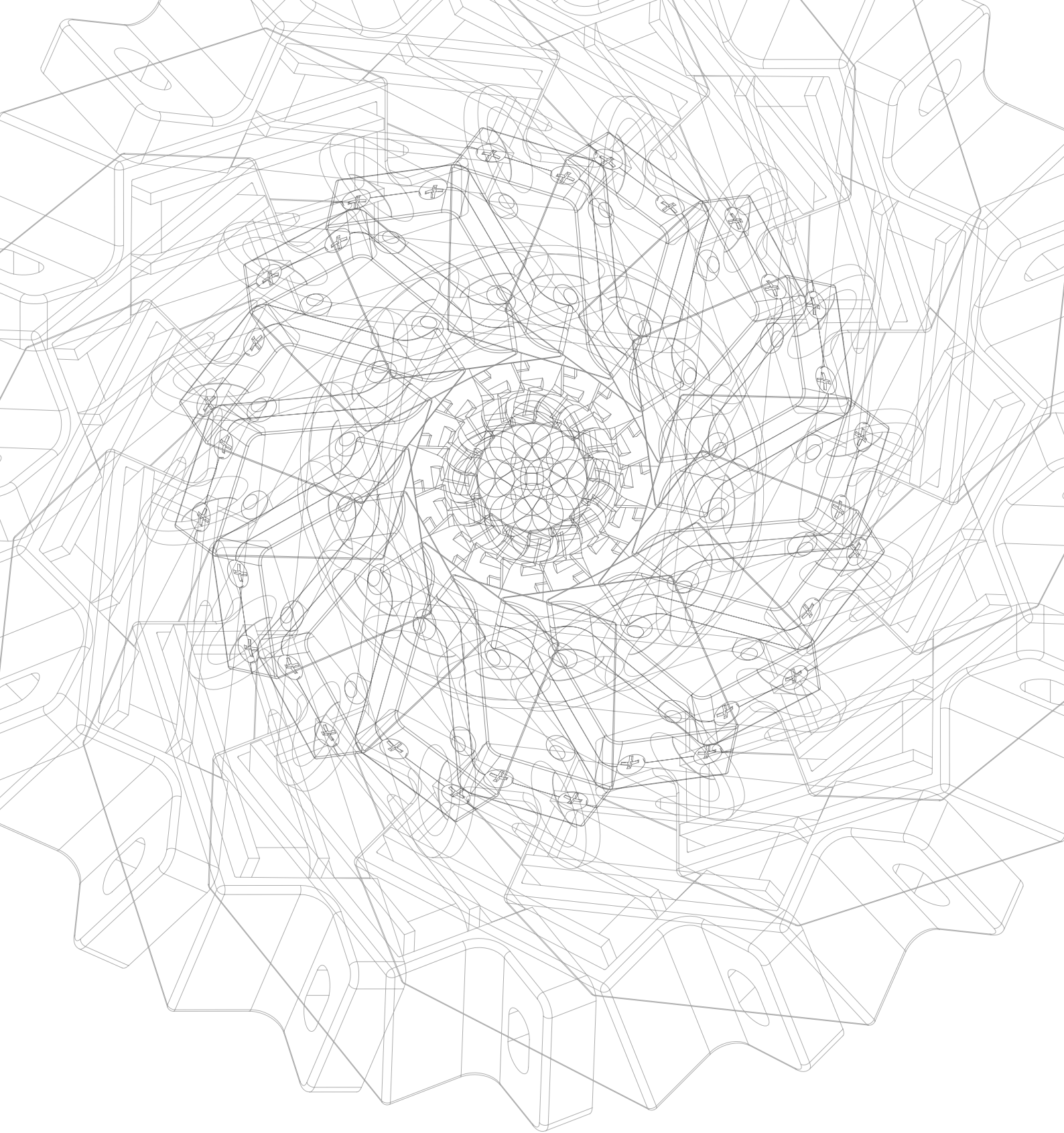


NOTES



A sheet of white paper with a red border at the top and bottom. The central area is filled with horizontal ruling lines, spaced evenly for writing. The lines are black and extend across the width of the page.





METALIMPEX D.O.O.

Gabrovica pri Črnem Kalu 18A, SI-6275 Črni Kal, Slovenija - Europe
metalimpex.si, +386 5 6590 500, info@metalimpex.si