

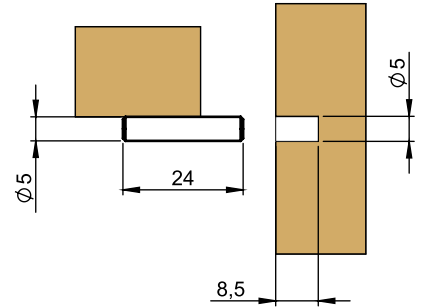
6. OTHER FITTINGS



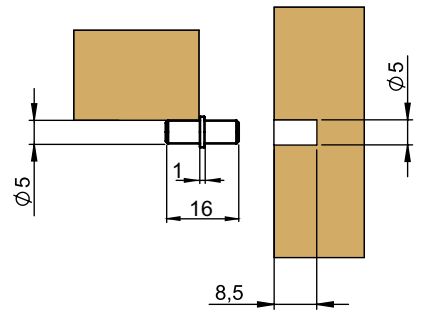
SHELF SUPPORTS



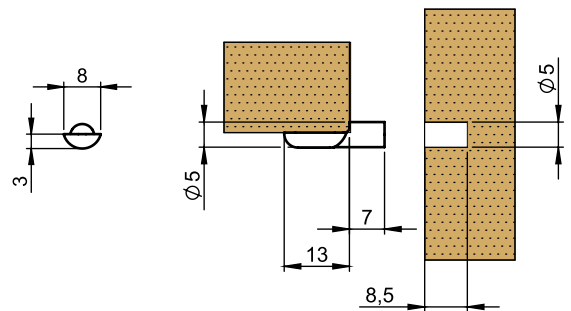
CODE	PACK	FINISH
135.0524.40	2500	ZINC PL



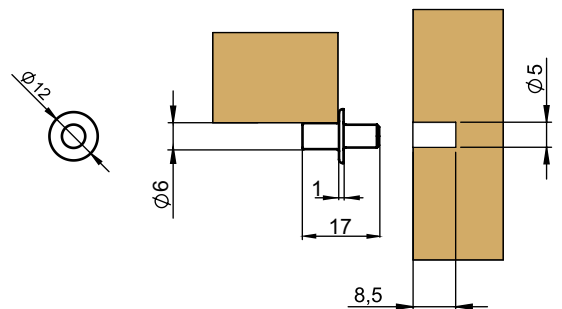
CODE	PACK	FINISH
136.0516.40	5000	ZINC PL



CODE	PACK	FINISH
133.0524.40	5000	ZINC PL



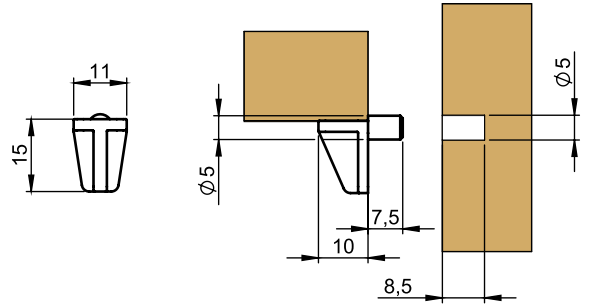
CODE	PACK	COLOR
334.4078.01	1000	WHITE
334.4078.02	1000	BROWN



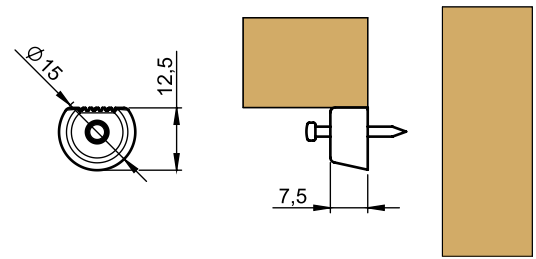
SHELF SUPPORTS



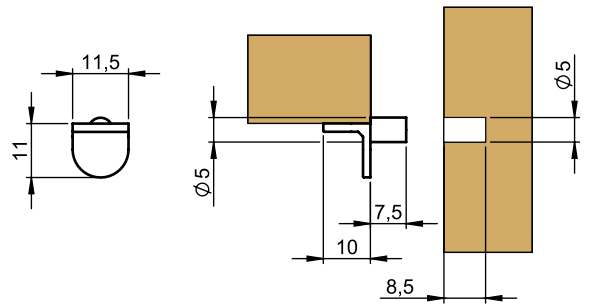
CODE	PACK	COLOR
130.0000.01	1000	WHITE
130.0000.02	1000	BROWN



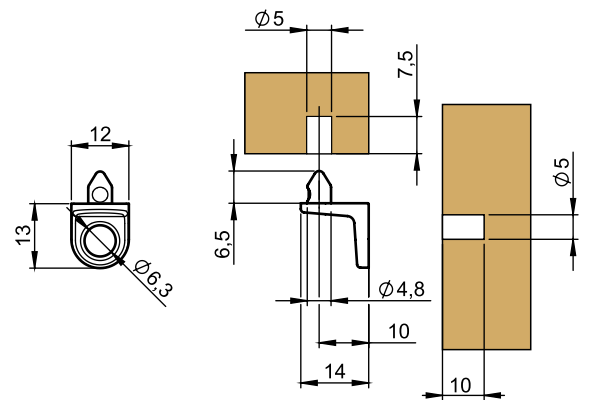
CODE	PACK	COLOR
331.4054.01	1000	WHITE
331.4054.02	1000	BROWN



CODE	PACK	FINISH
04.0087.50	2500	NICKEL PL



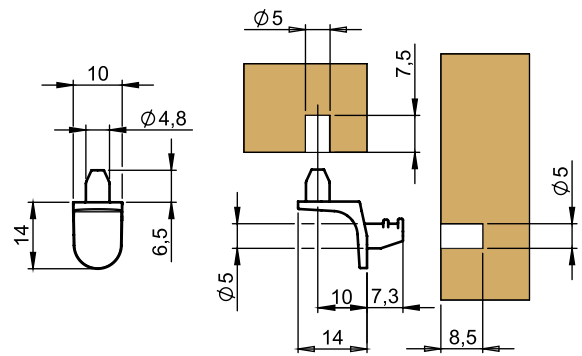
CODE	PACK	FINISH
RG04.00.50	2500	NICKEL PL



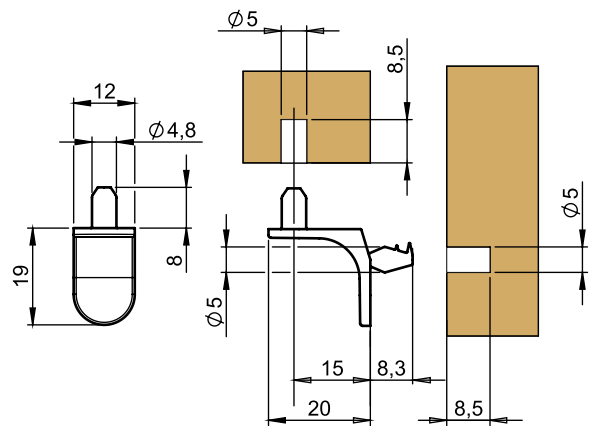
SHELF SUPPORTS



CODE	PACK	FINISH
RG01.00.50	5000	NICKEL PL



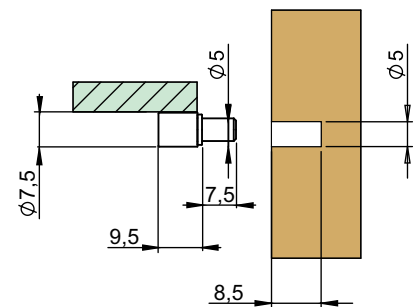
CODE	PACK	FINISH
336.3174.50	1000	NICKEL PL



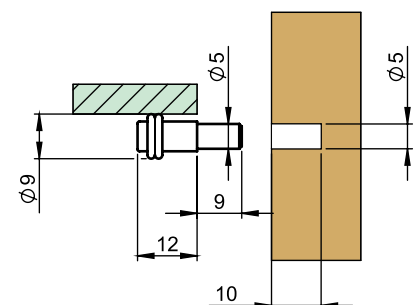
GLASS SHELF SUPPORTS



CODE	PACK	FINISH
136.GU00.05	1000	ZINC PL



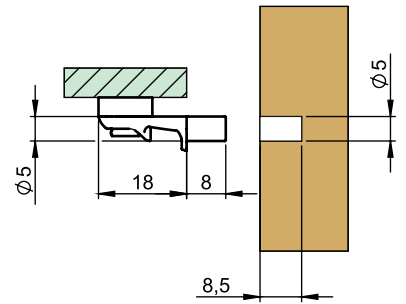
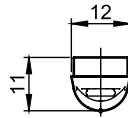
CODE	PACK	FINISH
RG10.00.50	1000	NICKEL PL



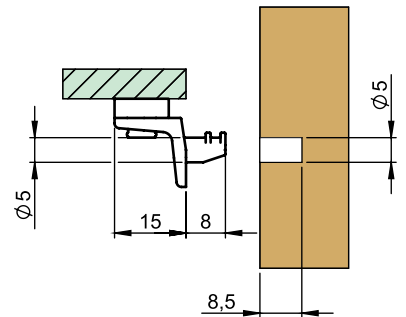
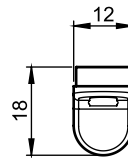
GLASS SHELF SUPPORTS



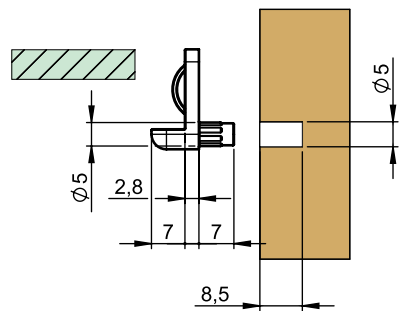
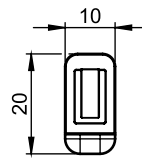
CODE	PACK	FINISH
134.0000.50	500	NICKEL PL



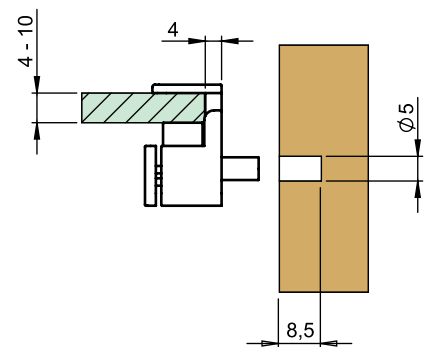
CODE	PACK	FINISH
RG06.00.50	500	NICKEL PL



CODE	PACK	COLOR
RG43.00.05	10000	TRANSP



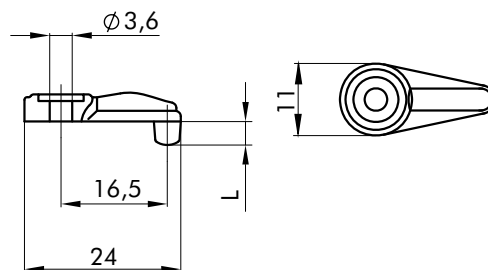
CODE	PACK	FINISH
1940.000.50	1000	NICKEL PL



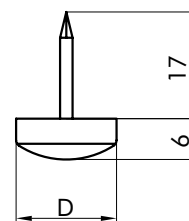
ACCESSORIES FOR GLASS AND GLIDES



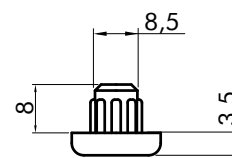
CODE	L	PACK	COLOR
359.4204.05	0,8	1000	TRANSP
359.4201.05	3,3	1000	TRANSP
359.4202.05	6	1000	TRANSP
359.4203.05	9,5	1000	TRANSP



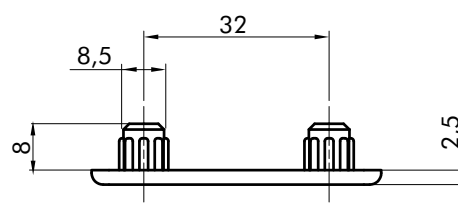
CODE	D	PACK	COLOR
162.1500.01	15	1000	WHITE
162.1500.02	15	1000	BROWN
162.2200.01	22	1000	WHITE
162.2200.02	22	1000	BROWN



CODE	PACK	COLOR
160.1000.01	2500	WHITE
160.1000.02	2500	BROWN



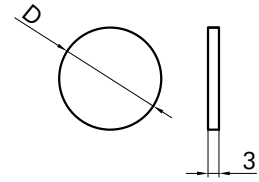
CODE	PACK	COLOR
160.2000.01	2500	WHITE
160.2000.02	2500	BROWN



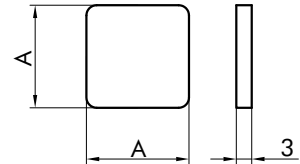
FELT PADS



CODE	D	PACK	COLOR
122.1400.02	14	1700	BROWN
122.1600.02	16	1500	BROWN
122.1800.02	18	1120	BROWN
122.2200.02	22	880	BROWN
122.2400.02	24	800	BROWN
122.2800.02	28	540	BROWN



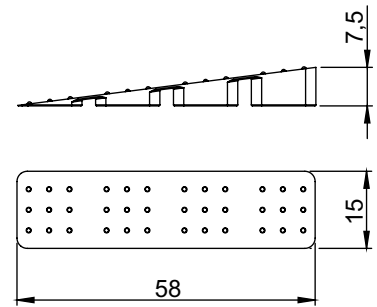
CODE	A	PACK	COLOR
123.2000.02	14	1200	BROWN
123.2500.02	25	800	BROWN
123.3000.02	30	480	BROWN
123.4000.02	40	240	BROWN
123.8000.02	80	100	BROWN



WEDGE



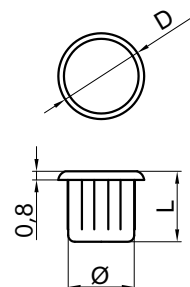
CODE	PACK	COLOR
156.0000.01	2000	WHITE
156.0000.02	2000	BROWN



COVER CAPS



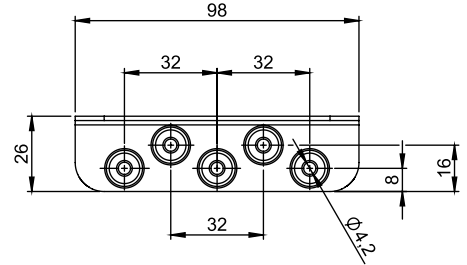
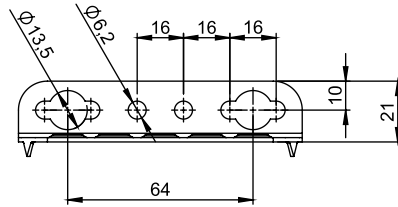
CODE	Ø	L	D	PACK	COLOR
1110.050.01	5	6	8	10000	WHITE
1110.080.01	8	7,5	10,5	10000	WHITE
1110.100.01	10	7,5	13	10000	WHITE



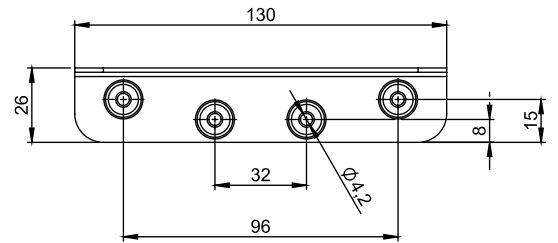
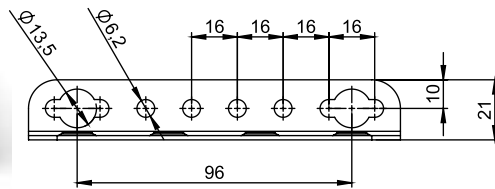
BED FITTINGS



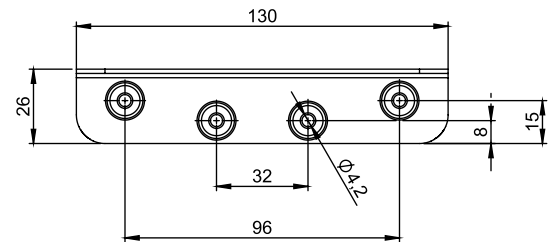
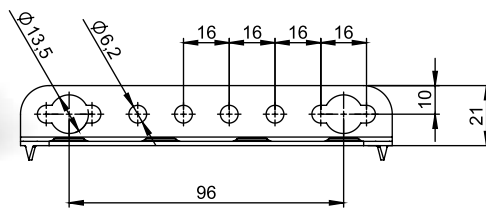
CODE	PACK	FINISH
371.1037.40	200	ZINC PL



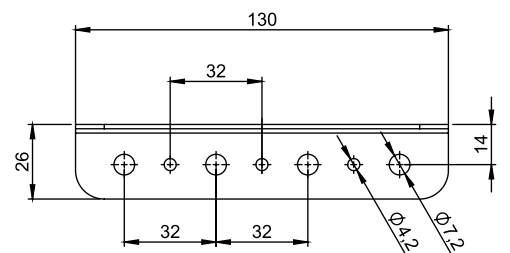
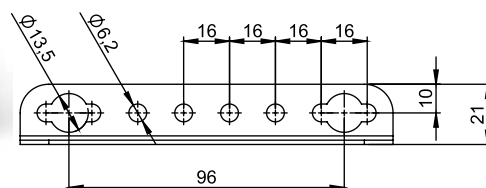
CODE	PACK	FINISH
170.1300.40	200	ZINC PL



CODE	PACK	FINISH
171.1300.40	200	ZINC PL



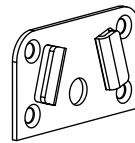
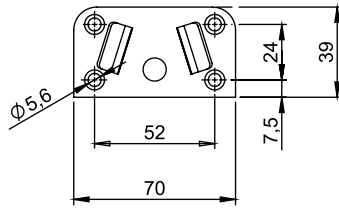
CODE	PACK	FINISH
371.1424.40	200	ZINC PL



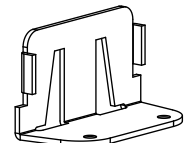
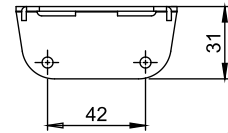
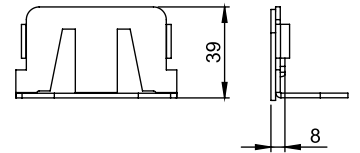
BED FITTINGS



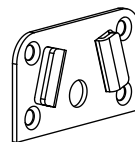
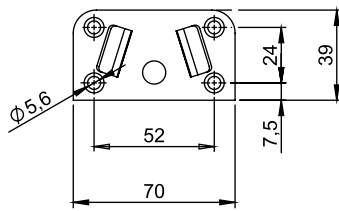
CODE	PACK	FINISH
3892.A00.30	200	YELLOW ZN



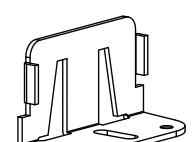
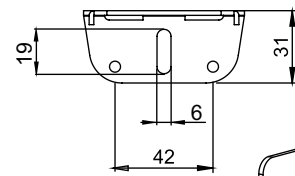
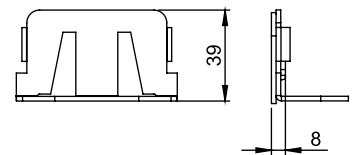
CODE	PACK	FINISH
3892.B00.30	200	YELLOW ZN



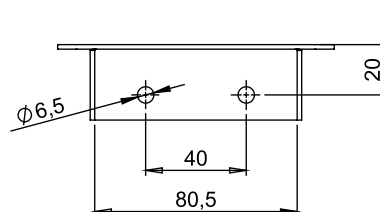
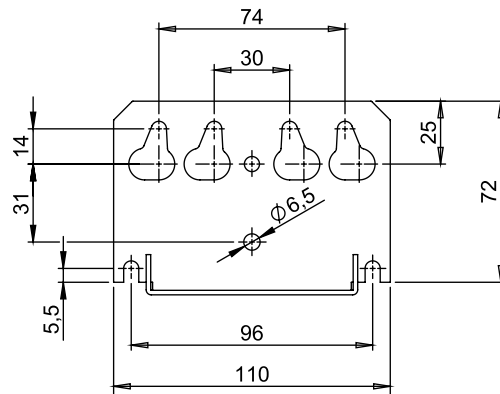
CODE	PACK	FINISH
3892.A00.30	200	YELLOW ZN



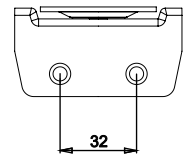
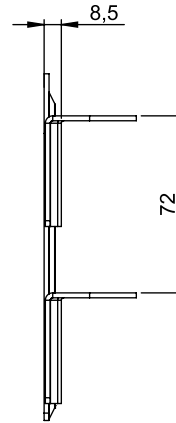
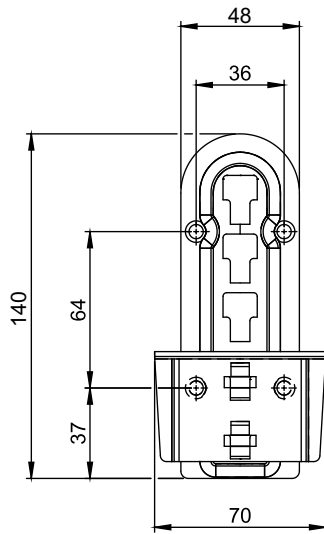
CODE	PACK	FINISH
3893.B00.30	200	YELLOW ZN



CODE	PACK	FINISH
176.0000.40	100	ZINC PL

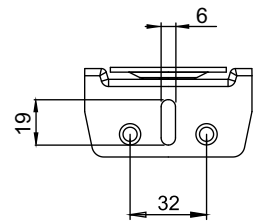
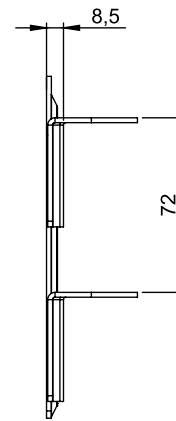
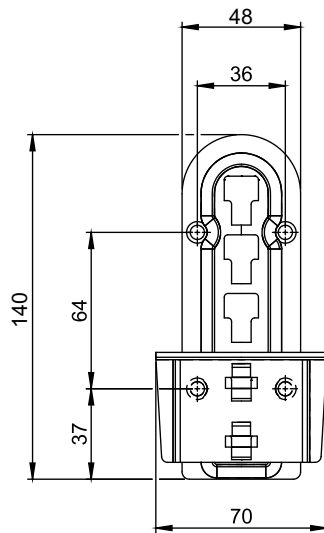
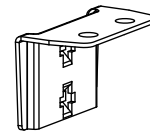
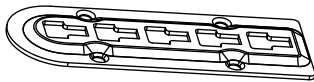


BED FITTINGS



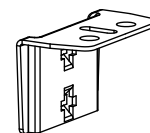
CODE	PACK	FINISH
3366.A00.30	200	YELLOW ZN

CODE	PACK	FINISH
3366.B00.30	200	YELLOW ZN



CODE	PACK	FINISH
3367.A00.40	200	ZINC PL

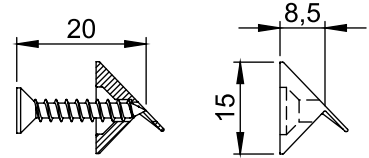
CODE	PACK	FINISH
3367.B00.40	200	ZINC PL



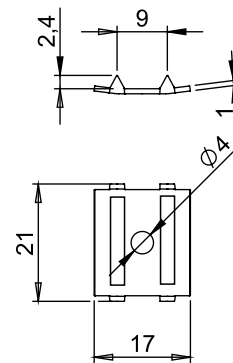
CONNECTORS FOR BACKS



CODE	PACK	COLOR
ES.1052.05	10000	TRANSP

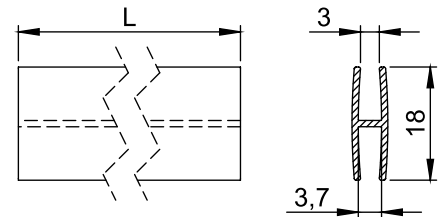


CODE	PACK	FINISH
437.0000.40	5000	ZINC PL



CODE	L	PACK	COLOR
202.2072.01	2072	100	WHITE

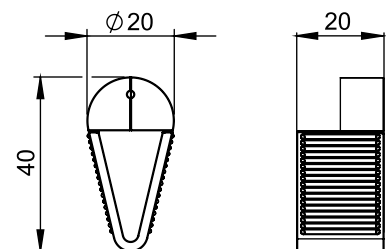
OTHER SIZES AND COLORS AS PER REQUEST



NAIL HOLDER TOOL



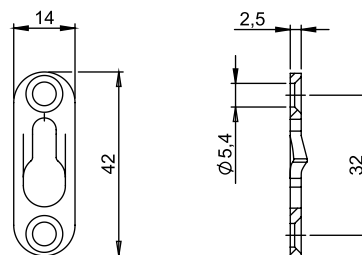
CODE	PACK	COLOR
4105.P22.03	3000	BLACK



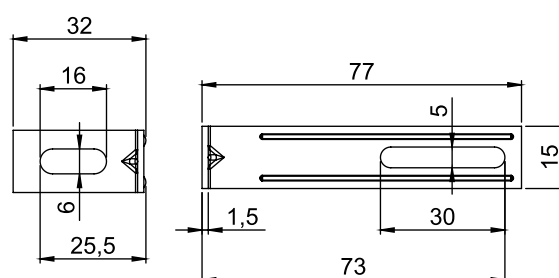
ANGLES



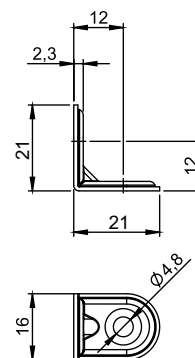
CODE	PACK	FINISH
161.4200.40	1000	ZINC PL



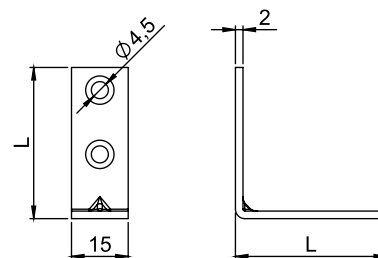
CODE	PACK	FINISH
7103.000.40	500	ZINC PL



CODE	PACK	FINISH
217.0017.40	3000	ZINC PL



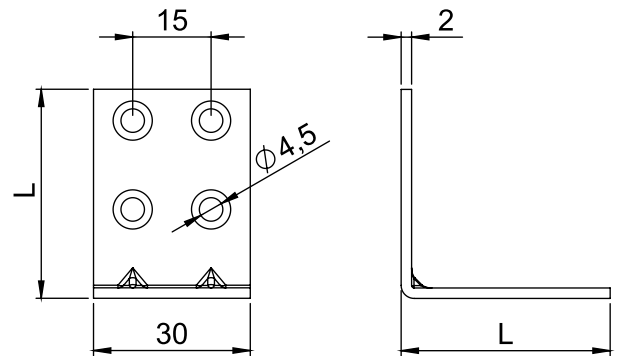
CODE	L	PACK	FINISH
221.0200.40	20	100	ZINC PL
221.0250.40	25	100	ZINC PL
221.0300.40	30	100	ZINC PL
221.0400.40	40	100	ZINC PL
221.0500.40	50	100	ZINC PL
221.0600.40	60	100	ZINC PL
221.0700.40	70	100	ZINC PL
221.0800.40	80	100	ZINC PL
221.0900.40	90	100	ZINC PL
221.1000.40	100	100	ZINC PL



ANGLES AND PLATES



CODE	L	PACK	FINISH
223.0200.40	20	50	ZINC PL
223.0300.40	30	50	ZINC PL
223.0400.40	40	50	ZINC PL
223.0500.40	50	50	ZINC PL
223.0600.40	60	50	ZINC PL
223.0800.40	80	50	ZINC PL
223.1000.40	100	50	ZINC PL

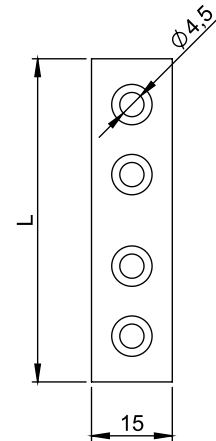


PLATES



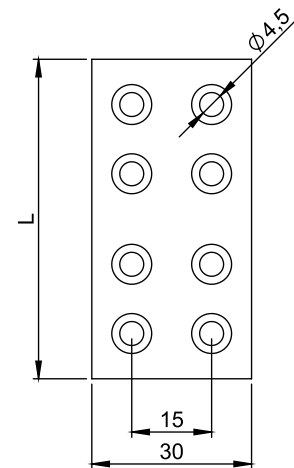
CODE	L	PACK	FINISH
224.0400.40	40	100	ZINC PL
224.0500.40	50	100	ZINC PL
224.0600.40	60	100	ZINC PL
224.0800.40	80	100	ZINC PL
224.1000.40	100	100	ZINC PL
224.1200.40	120	100	ZINC PL
224.1400.40	140	100	ZINC PL
224.1600.40	160	100	ZINC PL
224.1800.40	180	100	ZINC PL

THICKNESS 2 MM



CODE	L	PACK	FINISH
226.0400.40	40	50	ZINC PL
226.0600.40	60	50	ZINC PL
226.0800.40	80	50	ZINC PL
226.1000.40	100	50	ZINC PL
226.1200.40	120	50	ZINC PL
226.1600.40	160	50	ZINC PL

THICKNESS 2 MM

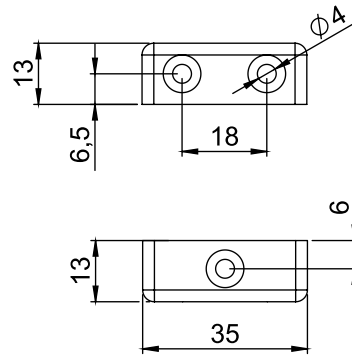


CONNECTORS AND SLIDE HANGERS

CORNER CONNECTOR



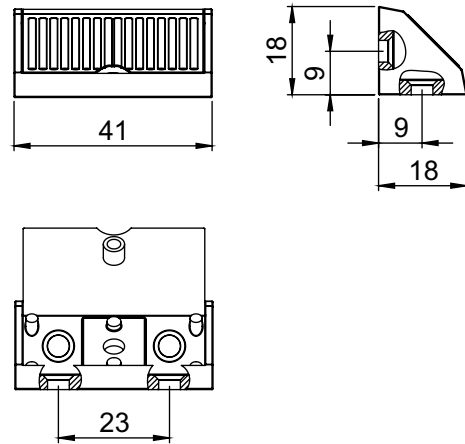
CODE	PACK	COLOR
4200.000.01	2500	WHITE



CORNER CONNECTOR WITH COVER CAP



CODE	PACK	COLOR
3316.000.01	2000	WHITE
3316.000.02	2000	BROWN



SLIDE HANGER

CODE	L	PACK	FINISH
725.2500.50	250	20	NICKEL PL
725.3000.50	300	20	NICKEL PL
725.3500.50	350	20	NICKEL PL
725.4000.50	400	20	NICKEL PL
725.4500.50	450	20	NICKEL PL

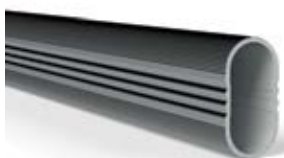
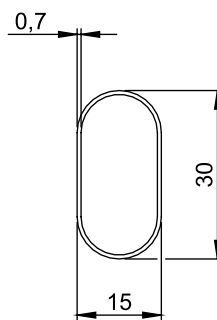


OVAL TUBES 30x15 AND SUPPORTS



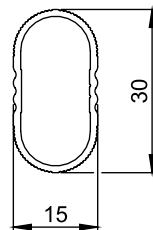
CODE	L	PACK	FINISH
139.3000.60	3000	10	CHROME PL

MATERIAL: STEEL

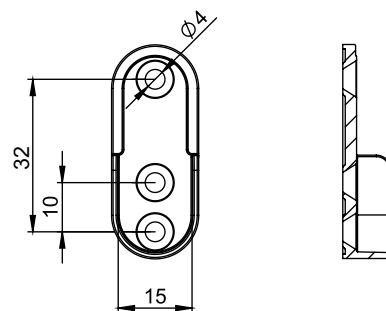


CODE	L	PACK	FINISH
139.A300.AN	3000	10	SILVER AN

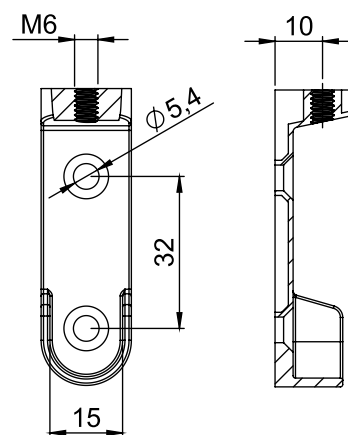
MATERIAL: ALUMINIUM



CODE	PACK	FINISH
142.1500.50	1000	NICKEL PL



CODE	PACK	FINISH
143.1500.50	500	NICKEL PL

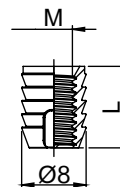


BUSHES AND NUTS

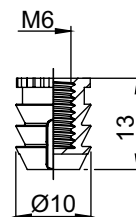
PLASTIC SOCKETS



CODE	M	L	PACK	COLOR
278.08M4.05	M4	8	25000	NATURAL
278.11M4.05	M4	11	25000	NATURAL
278.11M6.05	M6	11	25000	NATURAL



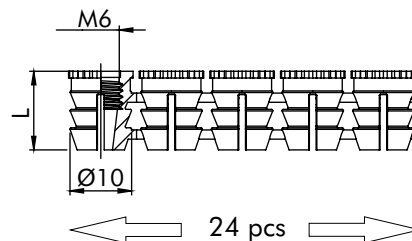
CODE	PACK	COLOR
277.13M6.05	15000	NATURAL



PLASTIC SOCKETS IN STRIP



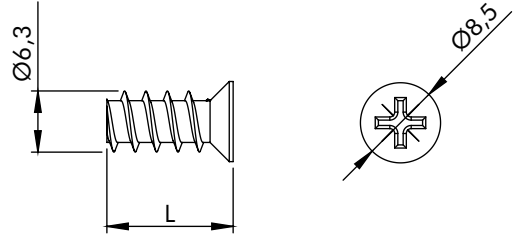
CODE	L	PACK	COLOR
279.10M6.05	10	10000	NATURAL
279.13M6.05	13	10000	NATURAL



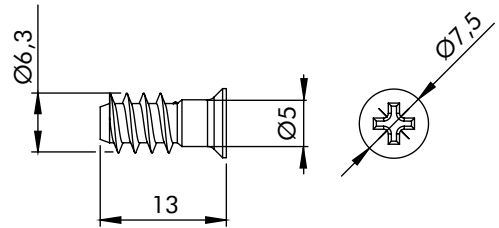
EURO SCREWS



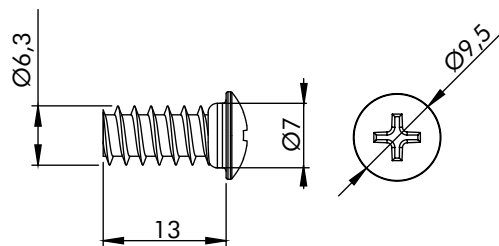
CODE	L	PACK	FINISH
326.6309.40	9	8000	ZINC PL
326.6311.40	11	6000	ZINC PL
326.6313.40	13	10000	ZINC PL
326.6319.40	19	4000	ZINC PL
326.6324.40	24	3000	ZINC PL



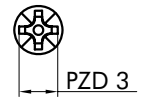
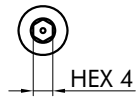
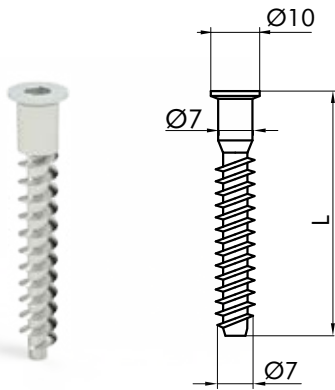
CODE	PACK	FINISH
322.6313.50	12000	NICKEL PL



CODE	PACK	FINISH
325.6313.40	8500	ZINC PL

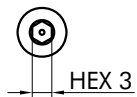
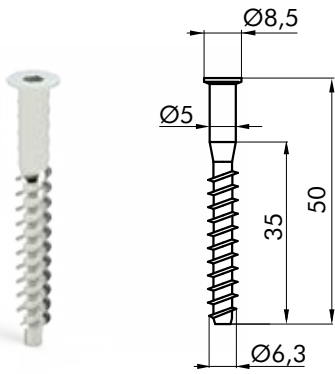


CONFIRMAT SCREWS

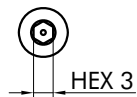
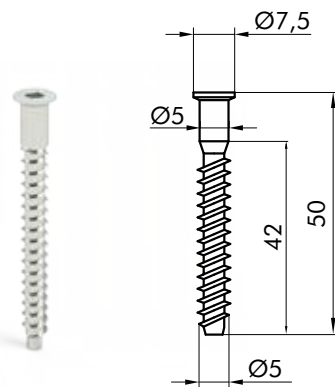


CODE	L	PACK	FINISH
127.1500.40	50	2000	ZINC PL
127.1700.40	70	1000	ZINC PL

CODE	PACK	FINISH
127.2500.40	2000	ZINC PL

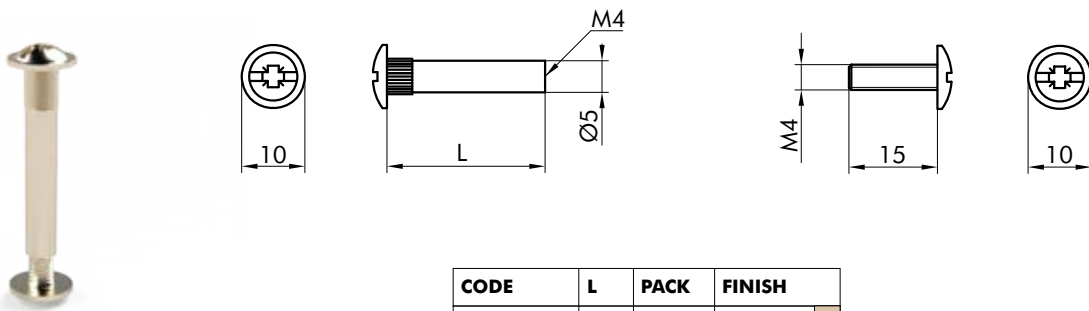


CODE	PACK	FINISH
470.1500.40	2500	ZINC PL

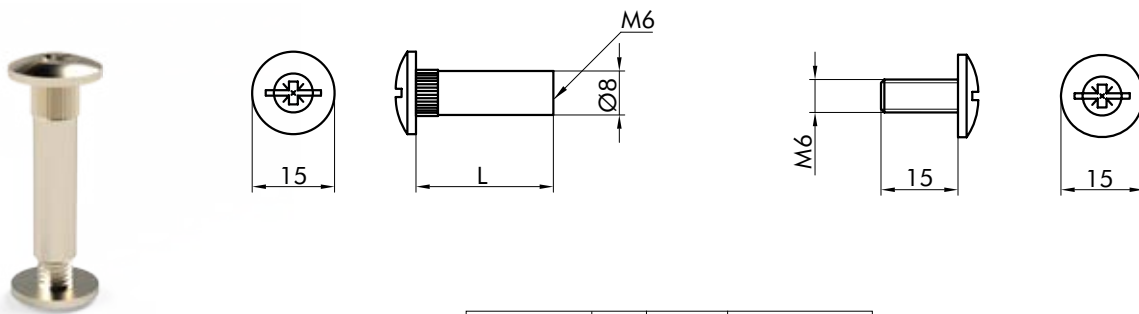


CODE	PACK	FINISH
553.1500.40	2000	ZINC PL

CONNECTING NUTS AND SCREWS

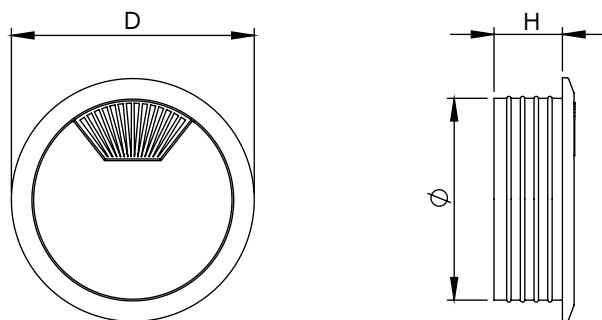


CODE	L	PACK	FINISH
565.27KP.50	27	2000	NICKEL PL
565.30KP.50	30	2000	NICKEL PL



CODE	L	PACK	FINISH
555.29KP.50	29	1000	NICKEL PL

CABLE GLANDS

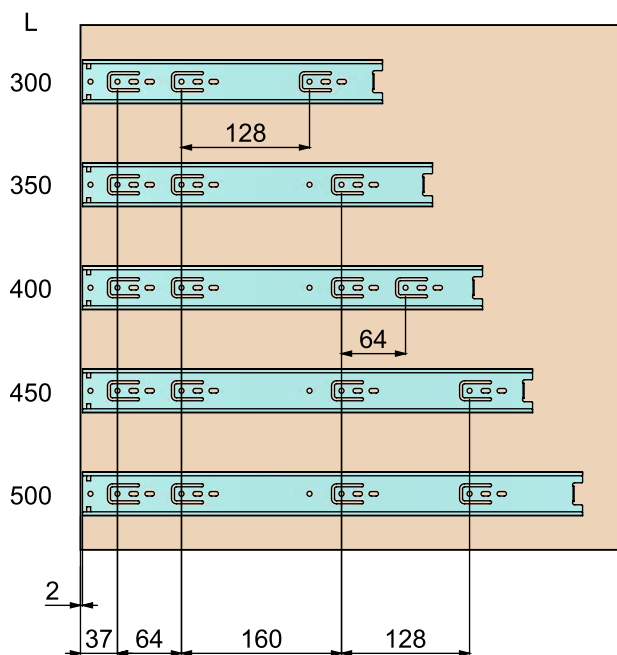
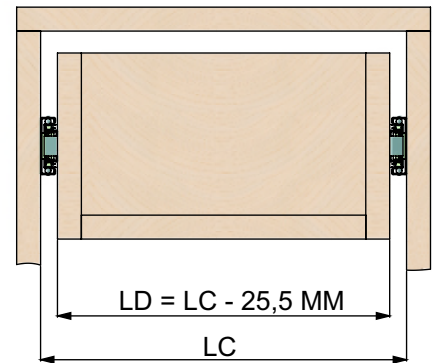
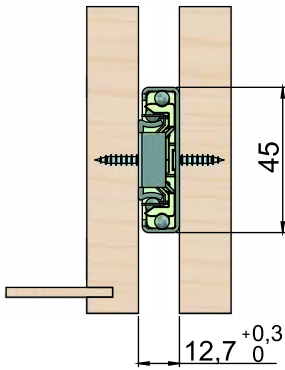


CODE	Ø	D	H	PACK	COLOR
1070.600.01	60	72	20	100	WHITE
1070.600.03	60	72	20	100	BLACK
1070.600.06	60	72	20	100	GRAY
1070.800.01	80	94	22	100	WHITE
1070.800.03	80	94	22	100	BLACK
1070.800.06	80	94	22	100	GRAY

BALL BEARING SLIDES - 45 MM

CODE	L	PACK	FINISH
1080.300.40	300	15	ZINC PL
1080.350.40	350	15	ZINC PL
1080.400.40	400	15	ZINC PL
1080.450.40	450	15	ZINC PL
1080.500.40	500	15	ZINC PL

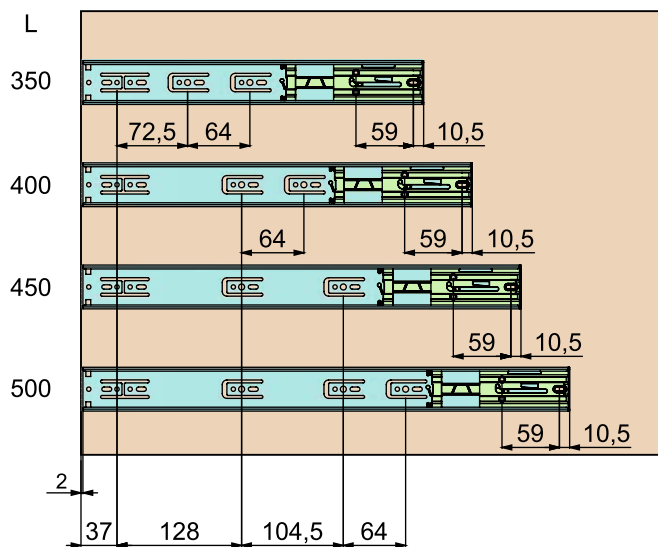
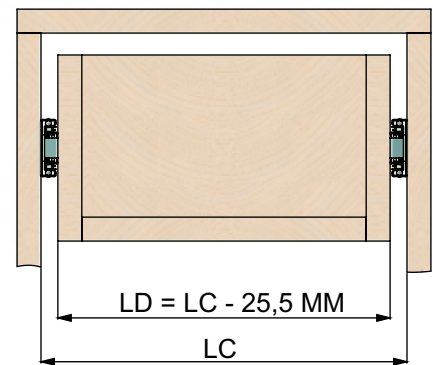
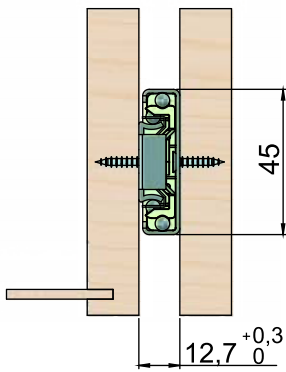
MAX LOAD 30 KG



BALL BEARING SLIDES - 45 MM SOFT CLOSING

CODE	L	PACK	FINISH
1081.350.40	350	15	ZINC PL
1081.400.40	400	15	ZINC PL
1081.450.40	450	15	ZINC PL
1081.500.40	500	15	ZINC PL

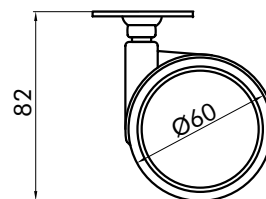
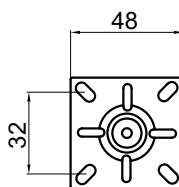
MAX LOAD 30 KG



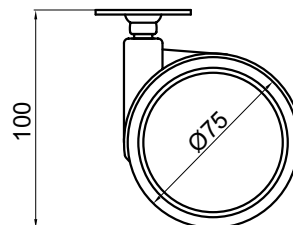
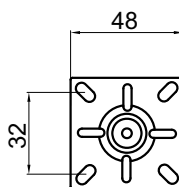
FURNITURE CASTORS SIRIO



CODE	LOAD	PACK	COLOR
1180.062A.96	40 KG	150	RAL 9006



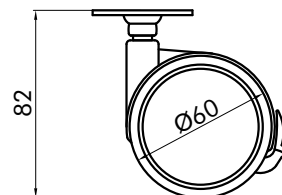
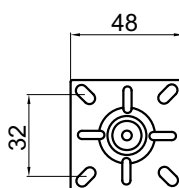
CODE	LOAD	PACK	COLOR
1180.072A.96	50 KG	100	RAL 9006



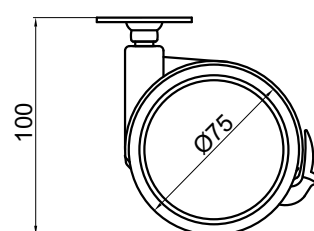
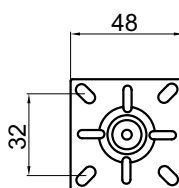
FURNITURE CASTORS SIRIO BRAKE



CODE	LOAD	PACK	COLOR
1181.062A.96	40 KG	150	RAL 9006



CODE	LOAD	PACK	COLOR
1181.072A.96	50 KG	100	RAL 9006



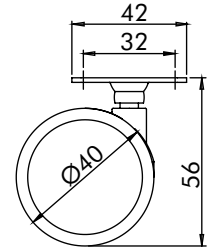
FURNITURE CASTORS

TWIN WHEEL CASTOR 40 MM RUBBER - PLATE



RUBBER

CODE	LOAD	PACK	COLOR
1183.402S.03	20 KG	200	BLACK

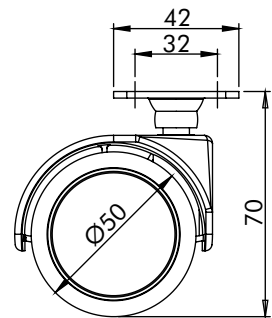


TWIN WHEEL CASTOR 50 MM RUBBER - PLATE



RUBBER

CODE	LOAD	PACK	COLOR
1183.502S.03	30 KG	200	BLACK

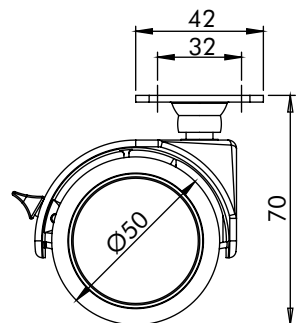


TWIN WHEEL CASTOR 50 MM BRAKE - RUBBER - PLATE



RUBBER

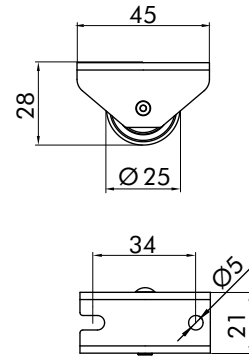
CODE	LOAD	PACK	COLOR
1184.502S.03	30 KG	200	BLACK



BOX CASTORS

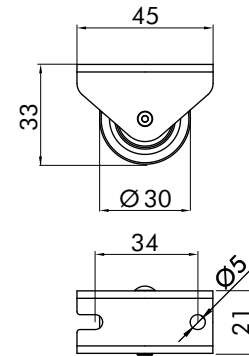


CODE	LOAD	PACK	COLOR
1189.25P.40	30 KG	200	BLACK



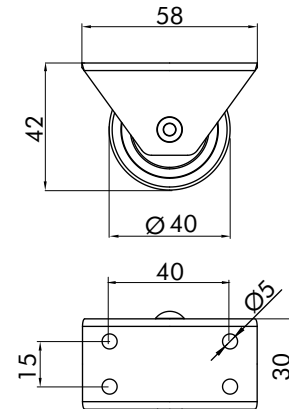
RUBBER

CODE	LOAD	PACK	COLOR
1189.30G.40	30 KG	200	GRAY



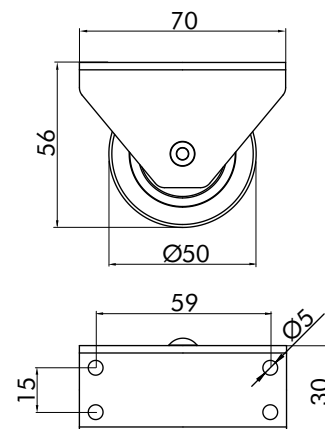
RUBBER

CODE	LOAD	PACK	COLOR
1189.40G.40	50 KG	100	GRAY



RUBBER

CODE	LOAD	PACK	COLOR
1189.50G.40	50 KG	100	GRAY

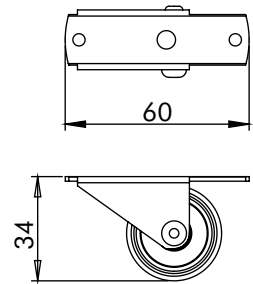


FURNITURE CASTORS

BOX CASTOR STRAIGHT FORK



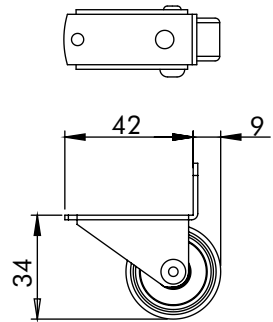
CODE	LOAD	PACK	COLOR
189.1000.40	30 KG	200	BLACK



BOX CASTOR FOLDED FORK



CODE	LOAD	PACK	COLOR
189.2000.40	30 KG	200	BLACK



KNIFE



CODE	PACK	COLOR
296.0000.01	200	WHITE