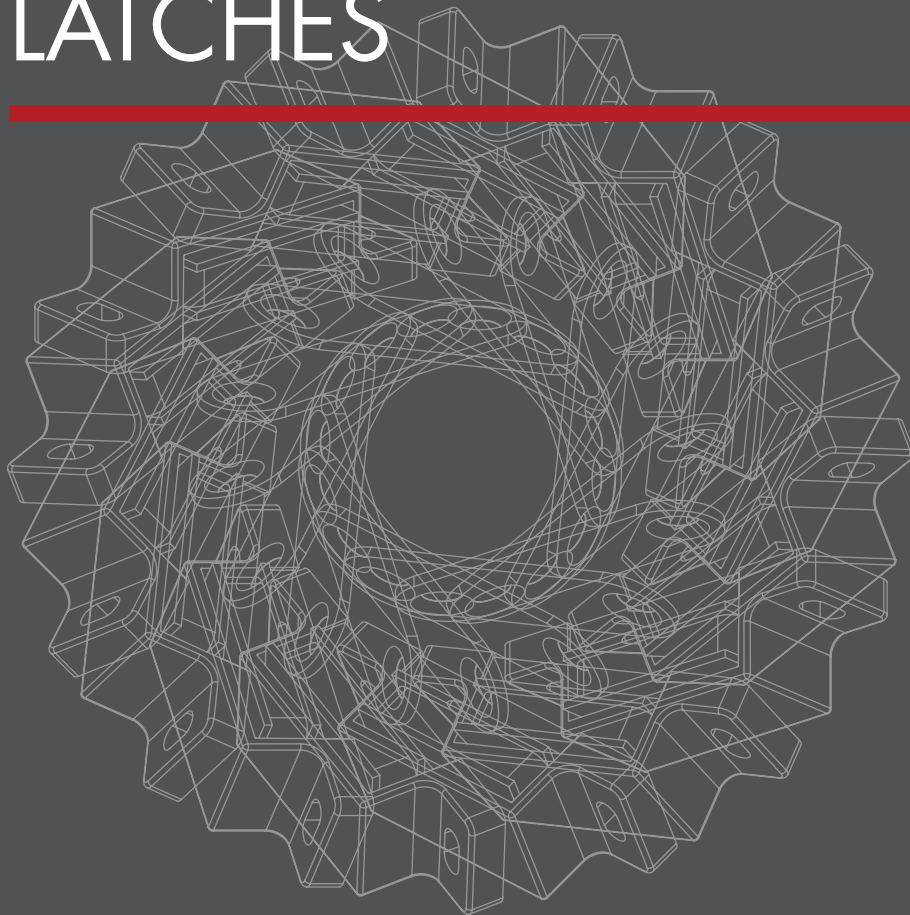


5. MAGNETS AND LATCHES

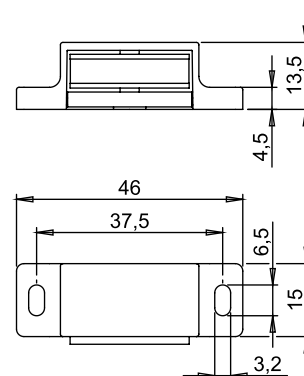


MAGNETIC CATCHES

MAGNETIC CATCH 271/OG - FORCE 3-4 KG



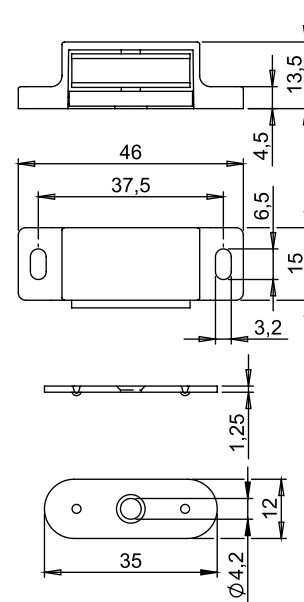
| CODE | PACK | COLOR |
|-------------|------|-------|
| 271.0500.01 | 500 | WHITE |
| 271.0500.02 | 500 | BROWN |
| 271.0500.03 | 500 | BLACK |



MAGNETIC CATCH 271/1 - FORCE 3-4 KG



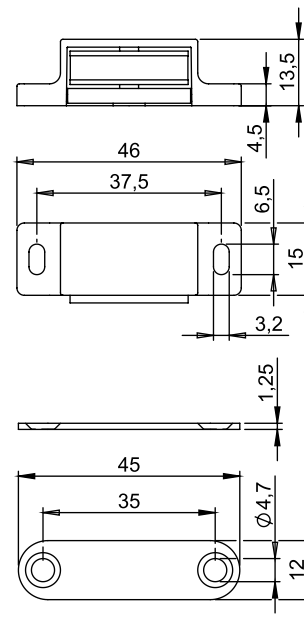
| CODE | PACK | COLOR |
|-------------|------|-------|
| 271.1050.01 | 50 | WHITE |
| 271.1050.02 | 50 | BROWN |
| 271.1050.03 | 50 | BLACK |



MAGNETIC CATCH 271/2 - FORCE 3-4 KG



| CODE | PACK | COLOR |
|-------------|------|-------|
| 271.2050.01 | 50 | WHITE |
| 271.2050.02 | 50 | BROWN |
| 271.2050.03 | 50 | BLACK |

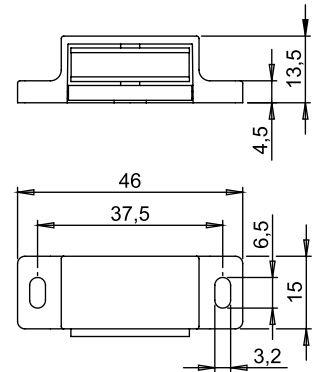


MAGNETIC CATCHES

MAGNETIC CATCH 272/OG - FORCE 4-5 KG



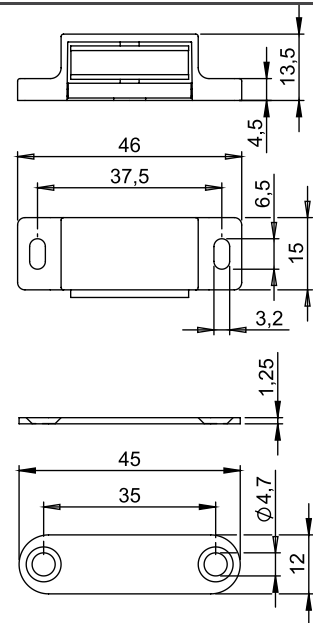
| CODE | PACK | COLOR |
|-------------|------|-------|
| 272.0500.01 | 500 | WHITE |
| 272.0500.02 | 500 | BROWN |
| 272.0500.03 | 500 | BLACK |



MAGNETIC CATCH 272/2 - FORCE 4-5 KG



| CODE | PACK | COLOR |
|-------------|------|-------|
| 272.2050.01 | 50 | WHITE |
| 272.2050.02 | 50 | BROWN |
| 272.2050.03 | 50 | BLACK |



MAGNETIC CATCH 274 FORCE 3-4 KG, 275 - FORCE 5-6 KG

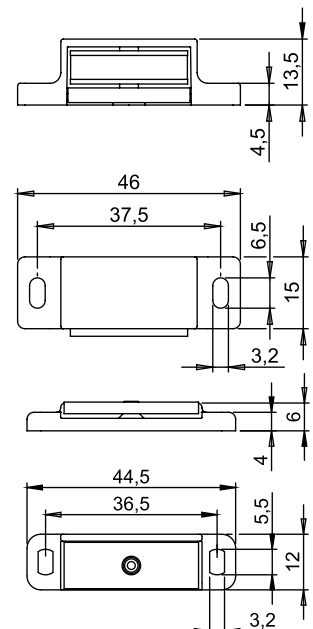


| CODE | PACK | COLOR |
|-------------|------|-------|
| 274.0050.01 | 50 | WHITE |
| 274.0050.02 | 50 | BROWN |

FORCE 3-4 KG

| CODE | PACK | COLOR |
|-------------|------|-------|
| 275.0050.01 | 50 | WHITE |
| 275.0050.02 | 50 | BROWN |

FORCE 5-6 KG

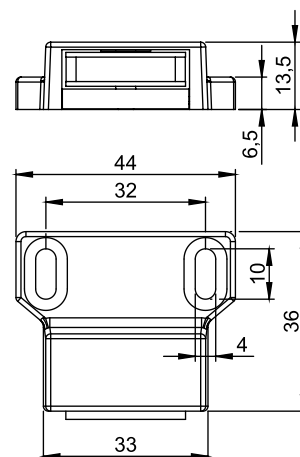


MAGNETIC CATCHES

MAGNETIC CATCH 2320/OG - FORCE 3-4 KG



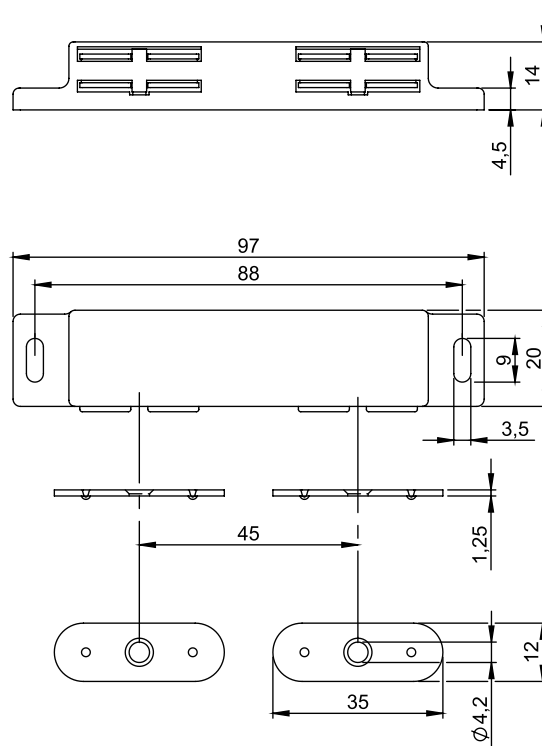
| CODE | PACK | COLOR |
|-------------|------|-------|
| 2320.000.01 | 50 | WHITE |
| 2320.000.02 | 50 | BROWN |



MAGNETIC CATCH 2761 - FORCE 2 x 3-4 KG



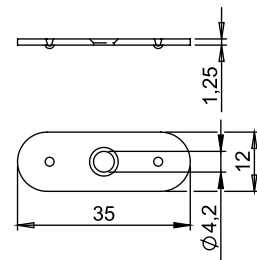
| CODE | PACK | COLOR |
|-------------|------|-------|
| 2761.000.01 | 50 | WHITE |
| 2761.000.02 | 50 | BROWN |



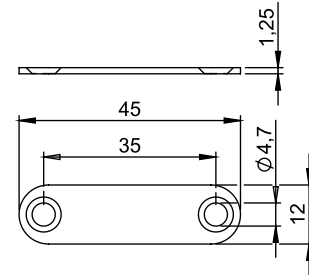
BACKPLATES



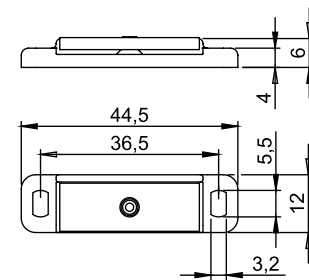
| CODE | PACK | FINISH |
|-------------|------|---------|
| 107.N350.40 | 500 | ZINC PL |



| CODE | PACK | FINISH |
|-------------|------|---------|
| 107.N500.40 | 500 | ZINC PL |



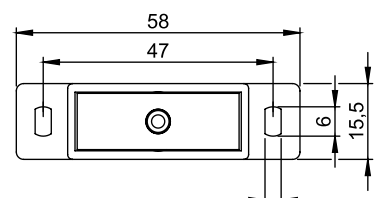
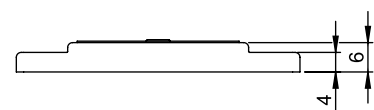
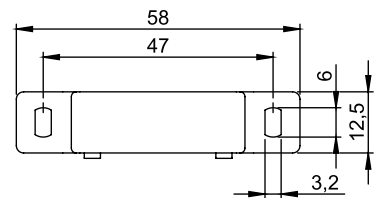
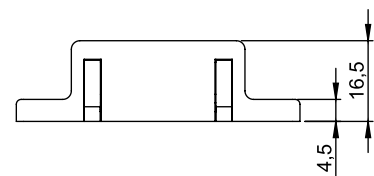
| CODE | PACK | COLOR |
|-------------|------|-------|
| 274.PR00.01 | 500 | WHITE |
| 274.PR00.02 | 500 | BROWN |



MAGNETIC CATCH 264 - FORCE 4-5 KG



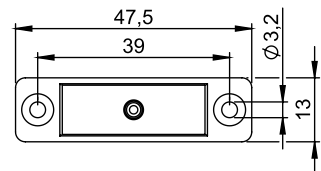
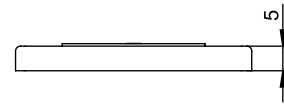
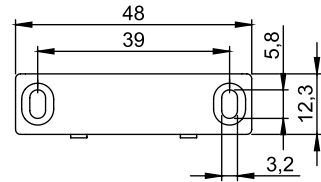
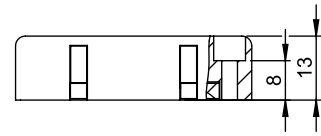
| CODE | PACK | COLOR |
|-------------|------|-------|
| 264.0000.01 | 50 | WHITE |
| 264.0000.02 | 50 | BROWN |



MAGNETIC CATCHES

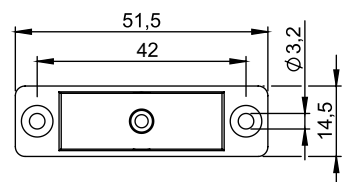
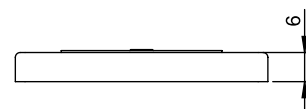
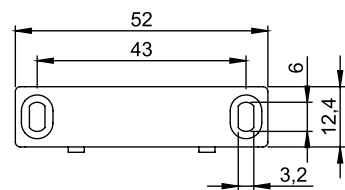
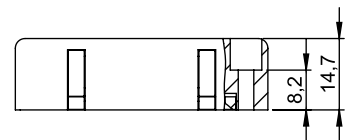
MAGNETIC CATCH 292 - FORCE 3-4 KG

| CODE | PACK | COLOR |
|-------------|------|-------|
| 292.0000.01 | 50 | WHITE |
| 292.0000.02 | 50 | BROWN |



MAGNETIC CATCH 293 - FORCE 4-5 KG

| CODE | PACK | COLOR |
|-------------|------|-------|
| 293.0000.01 | 50 | WHITE |
| 293.0000.02 | 50 | BROWN |

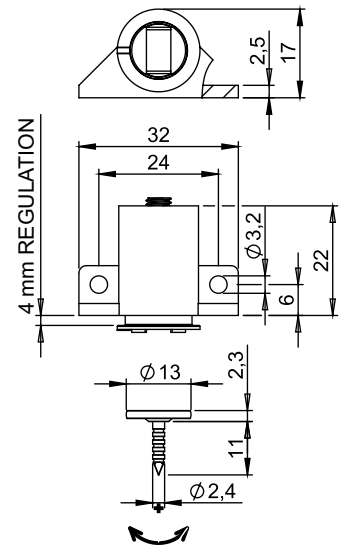


MAGNETIC CATCHES

MAGNETIC CATCH 273VS - FORCE 3-4 KG



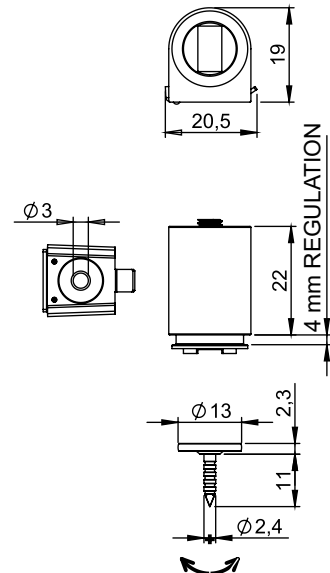
| CODE | PACK | COLOR |
|-------------|------|-------|
| 273VS.00.01 | 50 | WHITE |
| 273VS.00.02 | 50 | BROWN |
| 273VS.00.03 | 50 | BLACK |



MAGNETIC CATCH 2730 - FORCE 3-4 KG



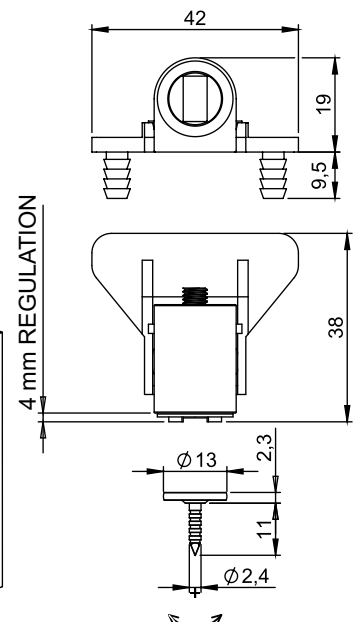
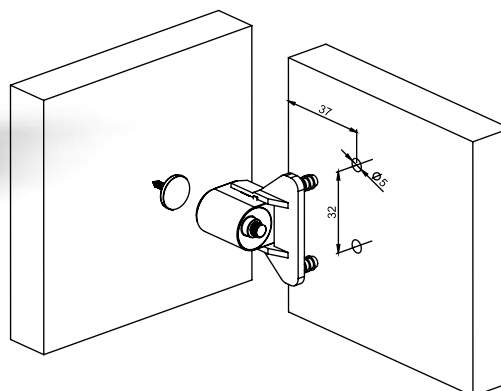
| CODE | PACK | COLOR |
|-------------|------|---------|
| 2730.000.01 | 50 | WHITE |
| 2730.000.02 | 50 | BROWN |
| 2730.000.96 | 50 | RAL9006 |



MAGNETIC CATCH 2730 Z32 - FORCE 3-4 KG



| CODE | PACK | COLOR |
|-------------|------|-------|
| 2730.Z32.01 | 50 | WHITE |
| 2730.Z32.02 | 50 | BROWN |

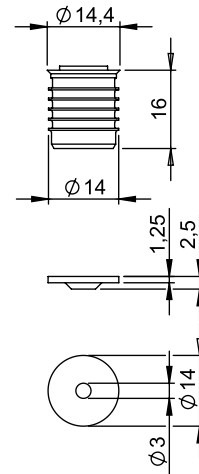


MAGNETIC CATCHES

MAGNETIC CATCH 273/FP - FORCE 3-4 KG



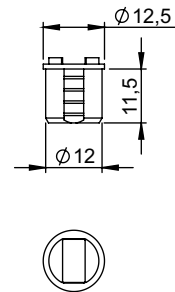
| CODE | PACK | COLOR |
|-------------|------|-------|
| 273.0000.01 | 50 | WHITE |
| 273.0000.02 | 50 | BROWN |



MAGNETIC CATCH 2732/OG - FORCE 2-3 KG



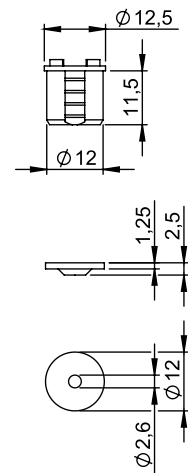
| CODE | PACK | COLOR |
|-------------|------|-------|
| 2732.000.01 | 100 | WHITE |



MAGNETIC CATCH 2732/FP - FORCE 2-3 KG



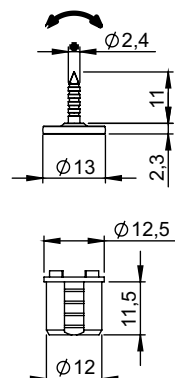
| CODE | PACK | COLOR |
|-------------|------|-------|
| 2732.F00.01 | 100 | WHITE |



MAGNETIC CATCH 2732/PR.P - FORCE 2-3 KG

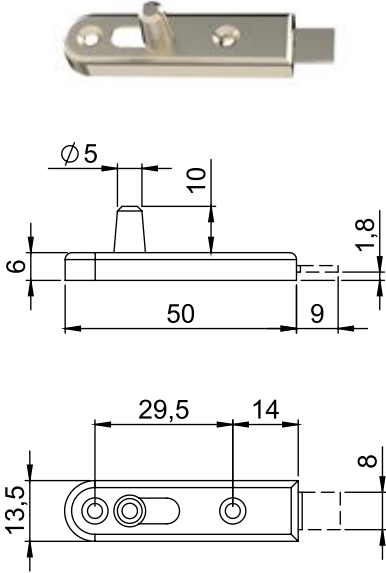


| CODE | PACK | COLOR |
|-------------|------|-------|
| 2732.P00.01 | 200 | WHITE |

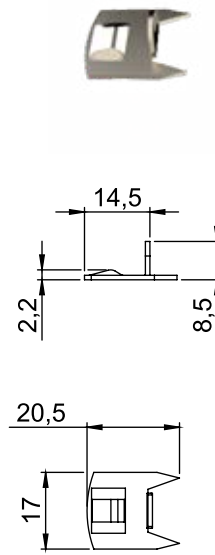


LATCHETS

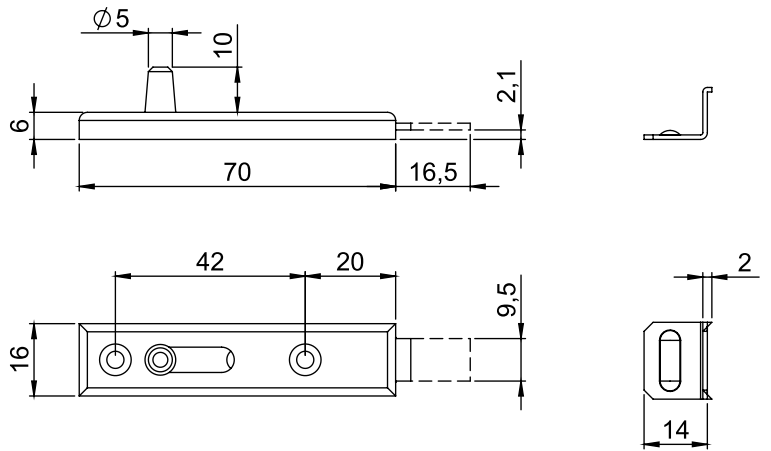
| CODE | PACK | FINISH |
|-------------|------|-----------|
| 116.BP00.50 | 250 | NICKEL PL |



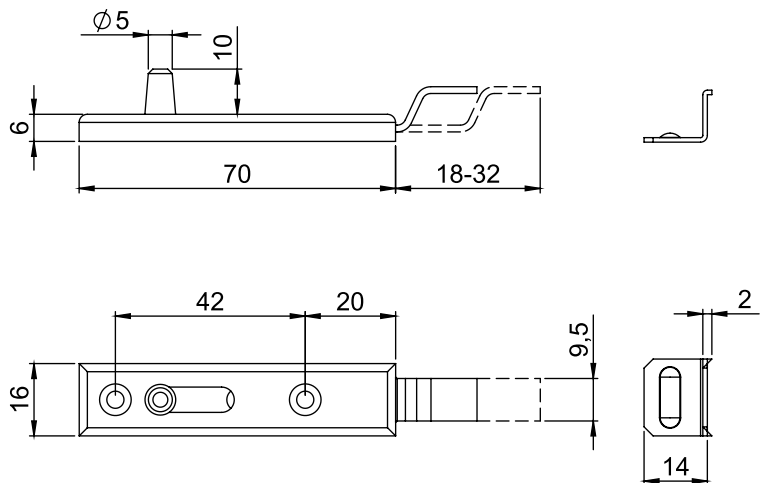
| CODE | PACK | FINISH |
|-------------|------|-----------|
| 116.P000.50 | 250 | NICKEL PL |



| CODE | PACK | FINISH |
|-------------|------|-----------|
| 114.0000.50 | 600 | NICKEL PL |



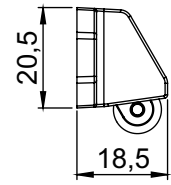
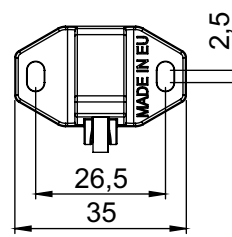
| CODE | PACK | FINISH |
|-------------|------|-----------|
| 115.0000.50 | 600 | NICKEL PL |



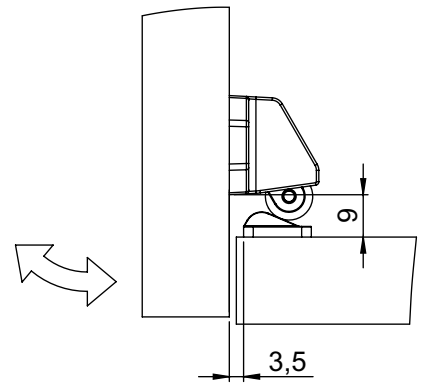
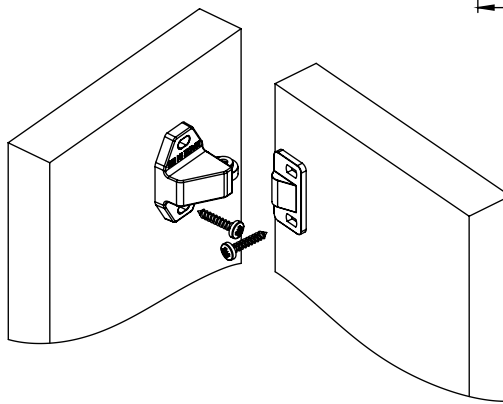
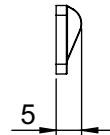
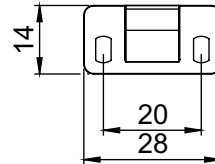
CATCHES WITH ROLLER



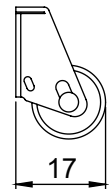
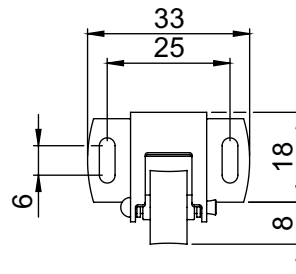
| CODE | PACK | COLOR |
|-------------|------|-------|
| 243.A000.01 | 250 | WHITE |



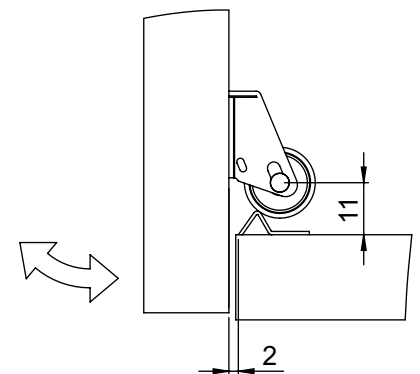
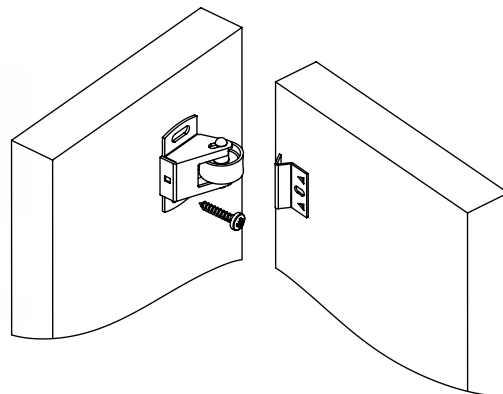
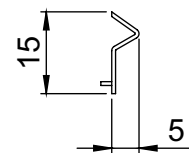
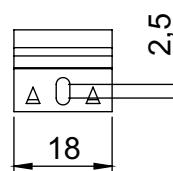
| CODE | PACK | COLOR |
|-------------|------|-------|
| 243.B000.01 | 250 | WHITE |



| CODE | PACK | FINISH |
|-------------|------|-----------|
| 241.A000.01 | 250 | NICKEL PL |



| CODE | PACK | FINISH |
|-------------|------|-----------|
| 241.B000.01 | 250 | NICKEL PL |



FOLDING ARM

| CODE | L | A | MICH | PACK | FINISH |
|-------------|-----|-----|------|------|-----------|
| 820.1500.50 | 150 | 125 | 135 | 200 | NICKEL PL |
| 820.2000.50 | 200 | 160 | 170 | 200 | NICKEL PL |
| 820.2500.50 | 250 | 190 | 200 | 200 | NICKEL PL |
| 820.3000.50 | 300 | 230 | 240 | 200 | NICKEL PL |

