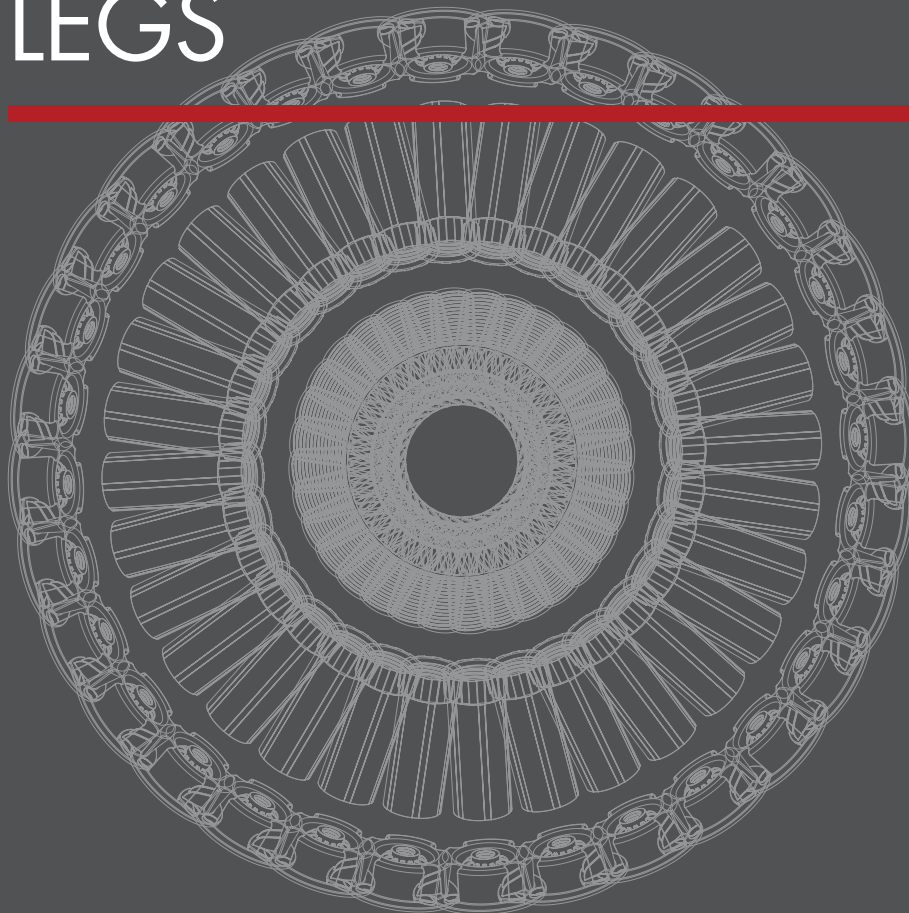


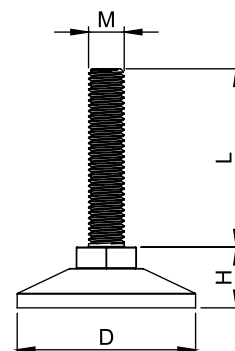
3. FURNITURE LEGS



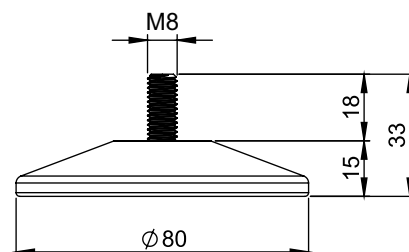
ADJUSTABLE FEETS



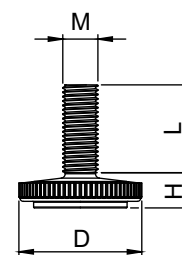
CODE	D	M	L	H	PACK	COLOR
190.3080.40	30	M8	30	16	200	BLACK
190.3100.40	30	M10	30	18	200	BLACK
190.5100.40	30	M10	50	18	150	BLACK
191.3100.40	50	M10	30	18	100	BLACK
191.5100.40	50	M10	50	18	100	BLACK



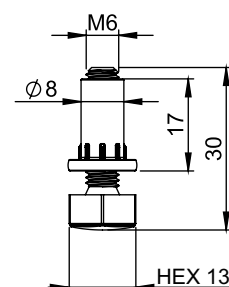
CODE	PACK	COLOR
194.0820.03	350	BLACK
194.0820.06	350	GRAY



CODE	D	M	L	H	PACK	COLOR
300.0615.40	21	M6	15	7	1500	BLACK
300.0620.40	21	M6	20	7	1500	BLACK
300.0822.40	28	M8	22	8	800	BLACK
300.1025.40	32	M10	25	9	500	BLACK



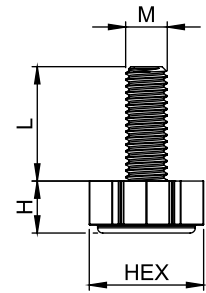
CODE	PACK	COLOR
604.0630.01	1500	WHITE
604.0630.03	1500	BLACK



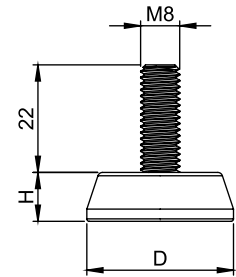
ADJUSTABLE FEETS



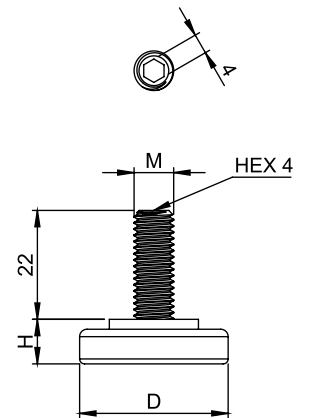
CODE	HEX	M	L	H	PACK	COLOR
PR1417.F622	17	M6	22	8,5	1000	BLACK
PR1422.F822	22	M8	22	10	500	BLACK
PR1422.F102	22	M10	28	10	500	BLACK



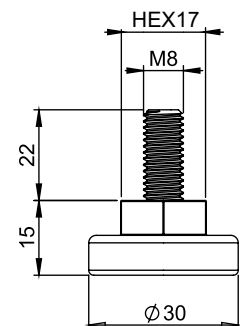
CODE	D	H	PACK	COLOR
PR1730.F822	30	10	500	BLACK
PR1740.F822	40	12	500	BLACK



CODE	D	M	H	PACK	COLOR
PR1825.E822	25	M8	9	500	BLACK
PR1830.E822	30	M8	9	500	BLACK
PR1840.E822	40	M8	10	500	BLACK
PR1840.E122	40	M10	10	500	BLACK



CODE	PACK	COLOR
PR1830.ES22	500	BLACK

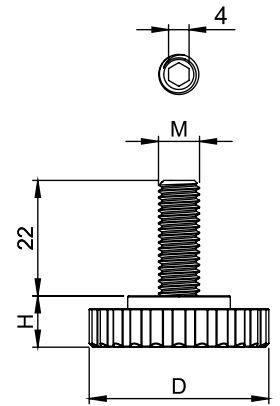


ADJUSTABLE FEETS

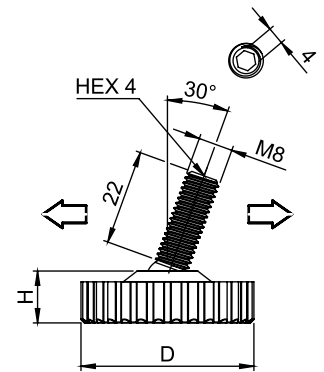


CODE	D	M	H	PACK	COLOR
PR2125.F622	25	M6	10	500	BLACK
PR2125.E822	25	M8	10	500	BLACK
PR2130.E822	30	M8	10	500	BLACK
PR2135.E822	35	M8	10	500	BLACK

M6 WHITOUT HEX

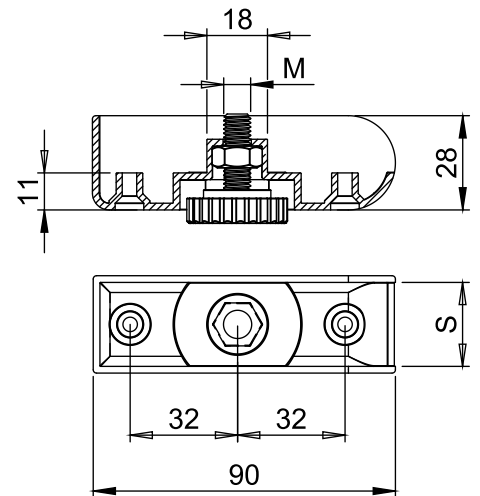


CODE	D	H	PACK	COLOR
PR2225.E822	25	10	500	BLACK
PR2230.E822	30	10	500	BLACK
PR2235.E822	35	10	500	BLACK
PR2240.E822	40	12	500	BLACK



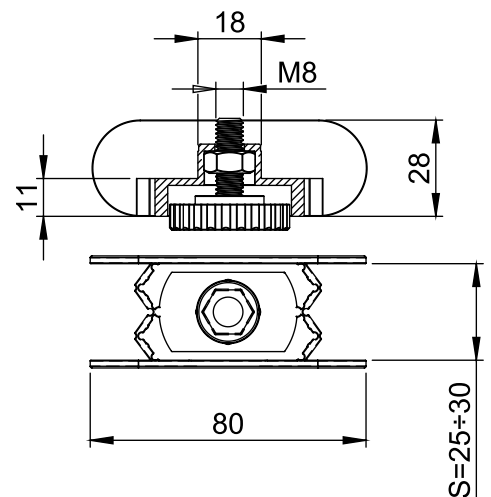
CODE	S	M	PACK	COLOR	PAIR WITH
PR2618.M603	18	M6	500	BLACK	PR2125.F622
PR2619.M603	19	M6	500	BLACK	PR2125.F622
PR2625.M803	25	M8	400	BLACK	PR2130.F822
PR2628.M803	28	M8	400	BLACK	PR2135.F822
PR2630.M803	30	M8	400	BLACK	PR2135.F822

THE REGULATING FEET IS NOT INCLUDED. MUST BE ORDERED SEPARATELY.



CODE	S	PACK	COLOR	PAIR WITH
PR2701.M803	25	500	BLACK	PR2130.F822
PR2701.M803	28	500	BLACK	PR2135.F822
PR2701.M803	30	500	BLACK	PR2135.F822

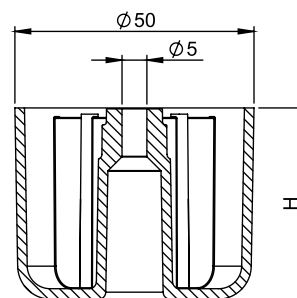
THE REGULATING FEET IS NOT INCLUDED. MUST BE ORDERED SEPARATELY.



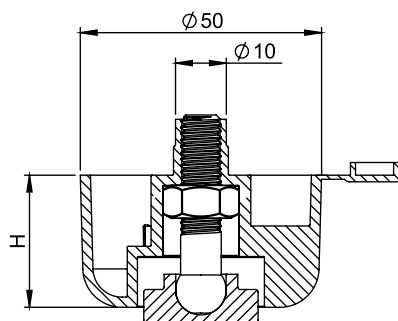
ADJUSTABLE FEETS



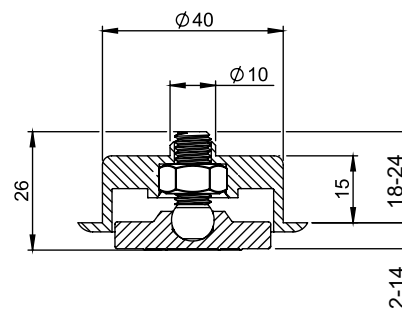
CODE	H	PACK	COLOR
307.3500.03	35	900	BLACK
307.4000.03	40	800	BLACK
307.5000.03	50	600	BLACK



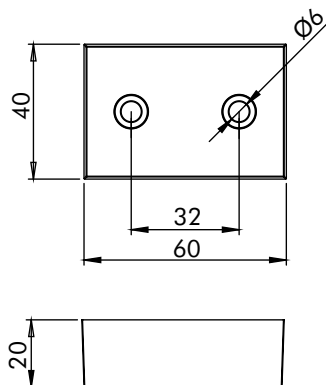
CODE	H	PACK	COLOR
310.1700.03	17	500	BLACK
310.2700.03	27	500	BLACK
310.4400.03	44	400	BLACK



CODE	PACK	COLOR
PR2340.2203	600	BLACK

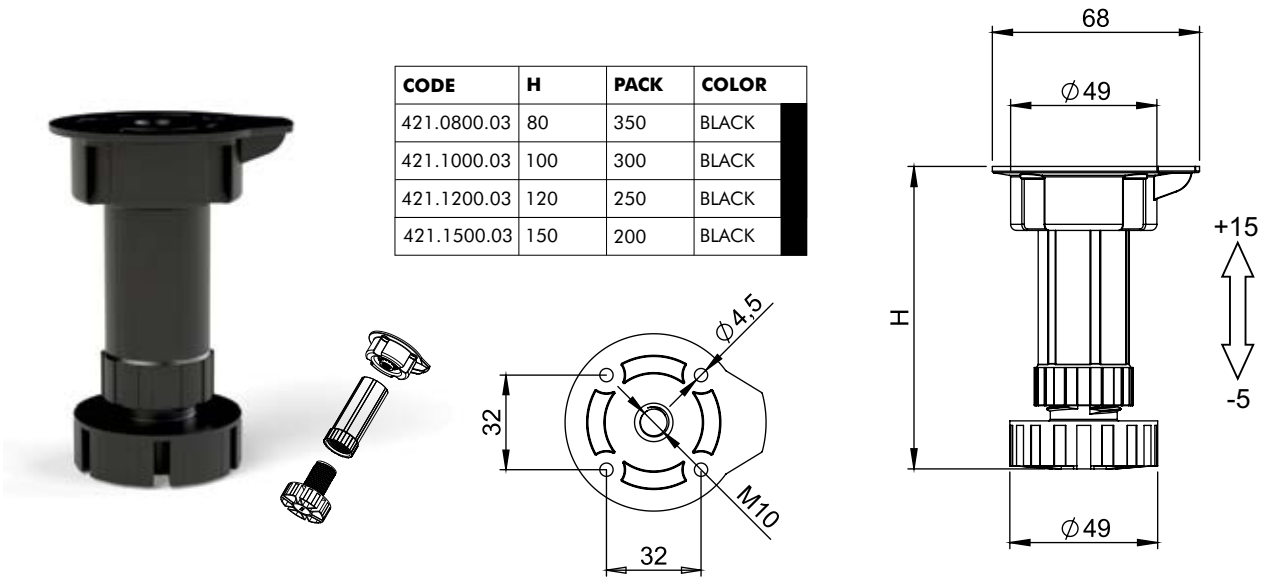


CODE	PACK	COLOR
R20.0000.96	200	RAL 9006

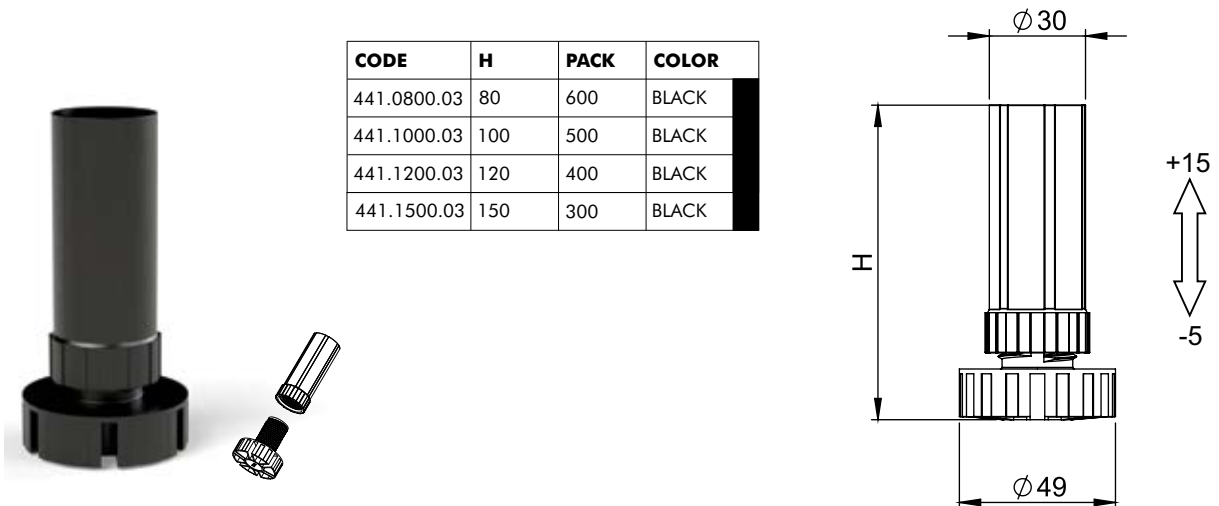


KITCHEN LEGS

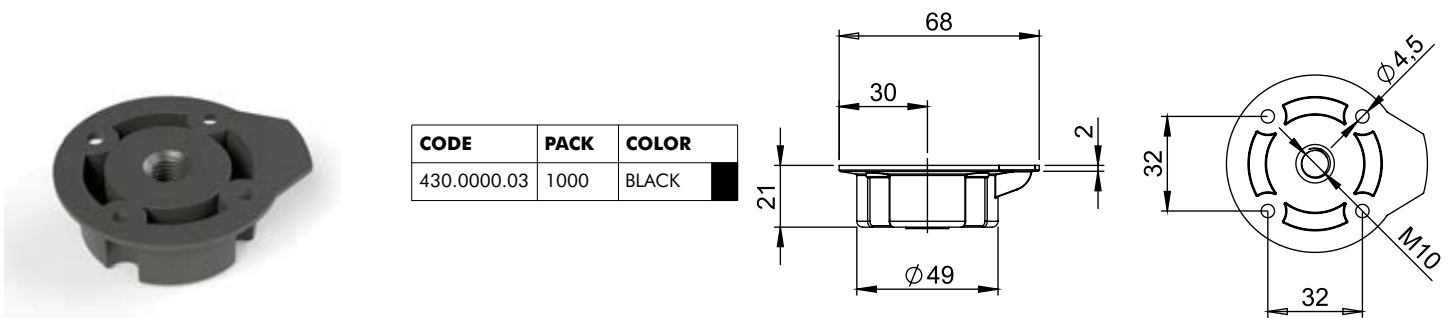
KITCHEN LEG COMPOSED OF 3 PARTS



ADJUSTABLE TUBE WITH SCREW



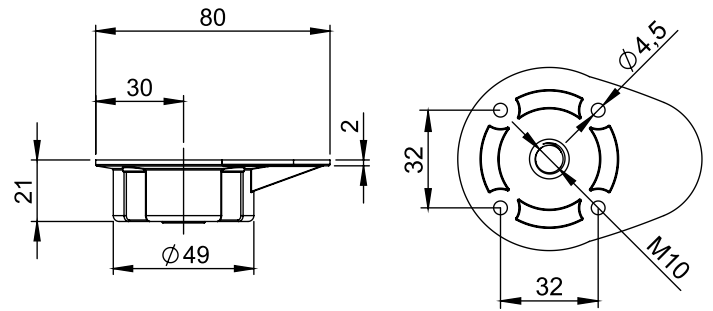
PLATE



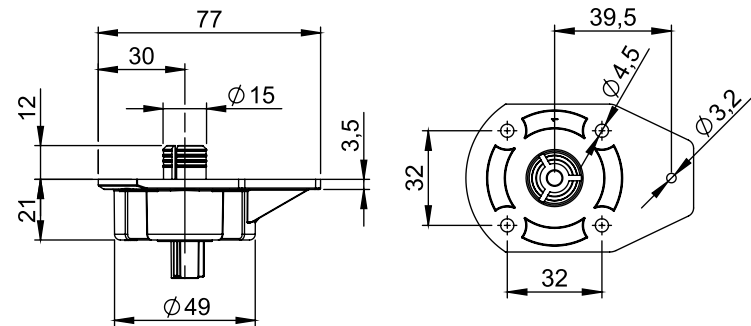
KITCHEN LEGS



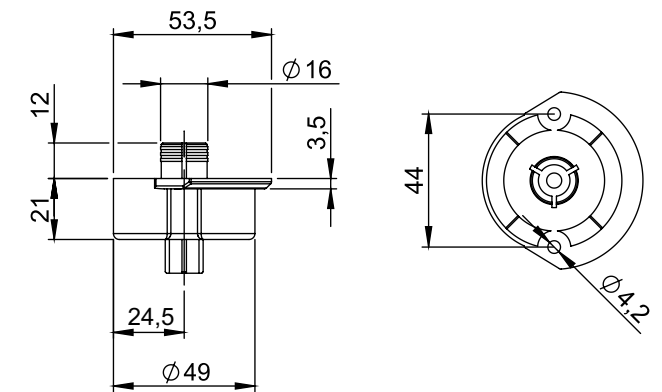
CODE	PACK	COLOR
434.0000.03	1000	BLACK



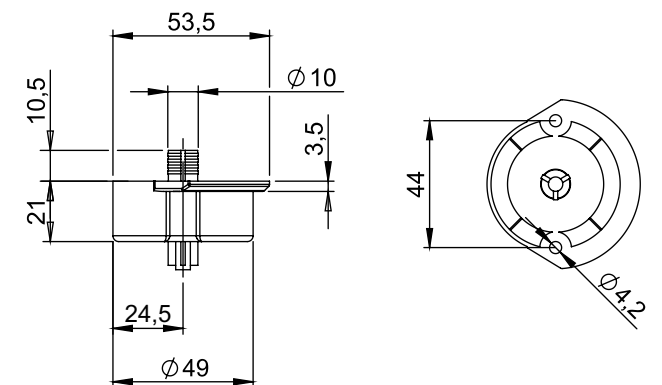
CODE	PACK	COLOR
433.EX15.03	1000	BLACK



CODE	PACK	COLOR
431.EX16.03	1000	BLACK



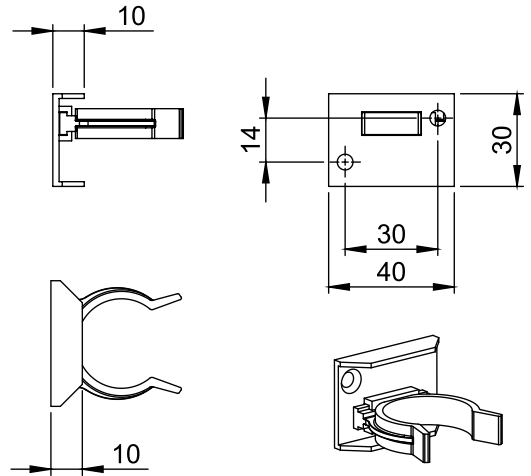
CODE	PACK	COLOR
432.EX10.03	1000	BLACK



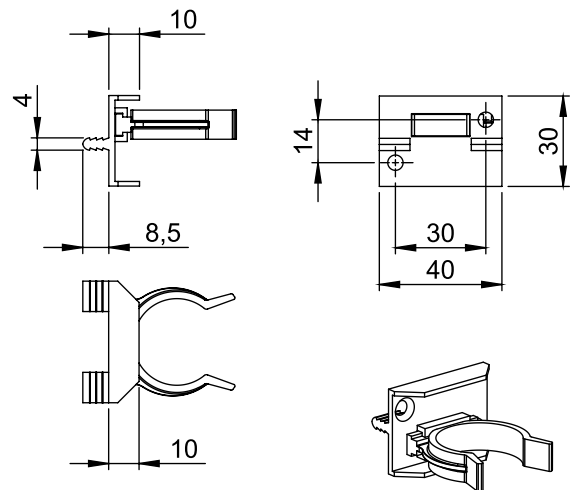
KITCHEN LEGS - ACCESSORIES



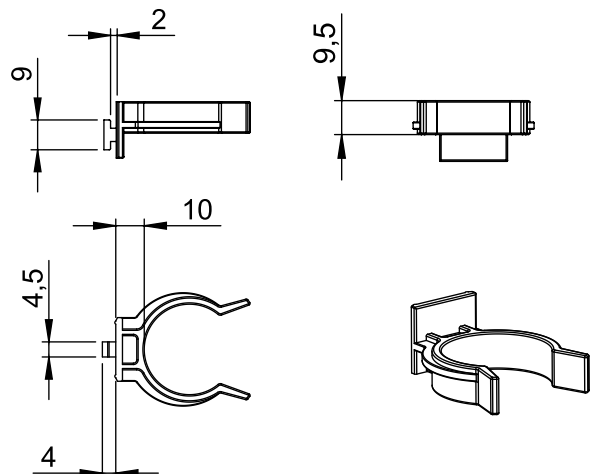
CODE	PACK	COLOR
423.10VI.03	2500	BLACK



CODE	PACK	COLOR
423.20UT.03	2500	BLACK



CODE	PACK	COLOR
424.0000.03	2500	BLACK



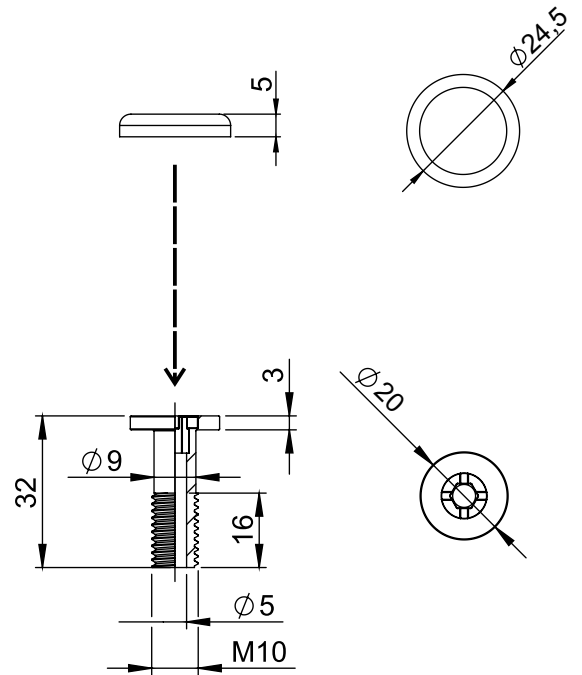
KITCHEN LEGS - ACCESSORIES



CODE	PACK	COLOR
579.2500.01	1000	WHITE



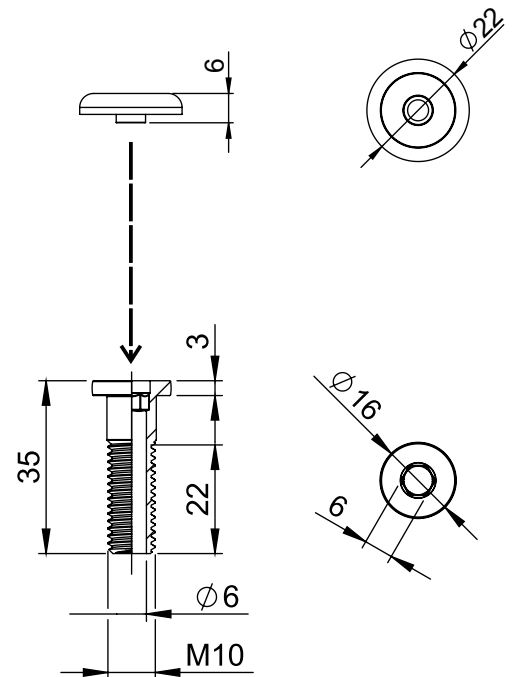
CODE	PACK	COLOR
579.1032.03	1000	BLACK



CODE	PACK	COLOR
578.3500.01	1000	WHITE



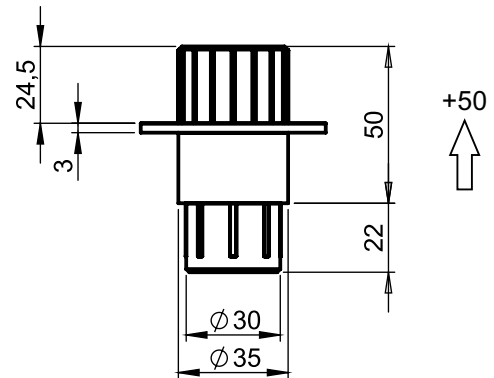
CODE	PACK	FINISH
578.1035.40	1000	ZINC PL



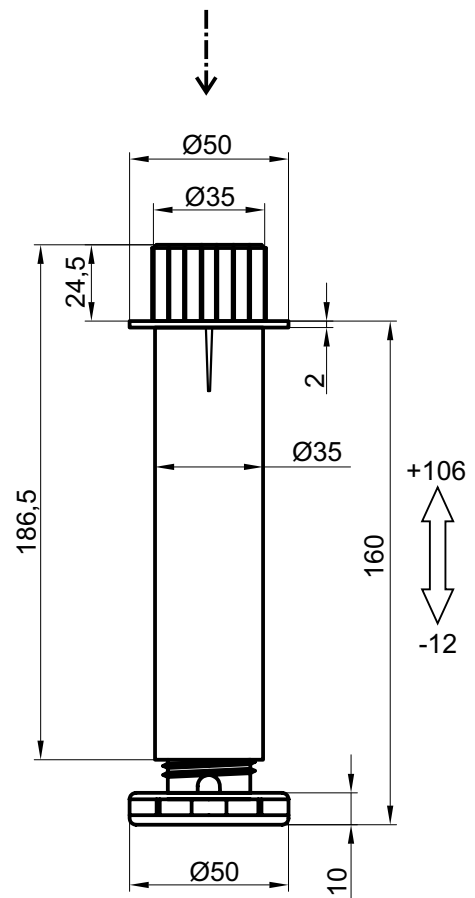
OTHER LEGS



CODE	PACK	COLOR
04.0371.03	200	BLACK



CODE	PACK	COLOR
04.0370.03	200	BLACK



CODE	H	PACK	COLOR
R25.0500.96	50	200	RAL 9006
R25.0650.96	65	200	RAL 9006

